

# NH fuse-links gG 500VAC

double indicator/live gripping-lugs size 000, 00, 0, 1, 2, 3

## LOW VOLTAGE IEC FUSES

### IEC NH FUSE-LINKS



The NH system is classified among plug-in fuse systems and is composed of:

- fuse-base (possibly including terminal covers and phase barriers)
- fuse-link with blade contact
- fuse-link replacement device (LV HRC fuse puller)

Since the design of this system cannot guarantee non-interchangeability of rated current it must be handled by a qualified professional.

Type “gG” NH fuse-links are full range breaking capacity fuse-links and are used to protect cables and equipment. They can interrupt any current surge, from the lowest fusing current up to their breaking capacity, and so can be used alone as protection. They also protect electrical devices and industrial set-ups from the electrodynamic effects of very high short-circuit currents.

## TECHNICAL DATA OVERVIEW

Voltage AC	500 VAC
Voltage DC	250 VDC
Ampere Range (A)	2 ... 800 A
Size per Standard	000, 00, 0, 1, 2, 3
Speed/Characteristic	gG
I.R. AC (IEC)	120 kA
I.R. DC (IEC)	80 kA
Body Material	ceramic
Contact Materials	copper, silver-plated

## FEATURES & BENEFITS

- Dimensions according to DIN 43 620 parts 1 to 4
- Non-isolated gripping lugs
- Double indicator
- 0% cadmium

## APPLICATIONS

- gG: general purpose cable and line protection

## STANDARDS

- VDE 0636 Part 201
- IEC 60269-1 and -2



# NH fuse-links gG 500VAC

double indicator/live gripping-lugs size 000, 00, 0, 1, 2, 3

## PRODUCT RANGE



NH000GG50V2

### Size 000 gG 500VAC

Catalog number	Item number	Rated voltage AC (IEC)	Rated voltage DC (IEC)	Rated current I <sub>n</sub>	Power dissipation at I <sub>n</sub>	Package	Weight
NH000GG50V2	B211946	500 V	250 V	2 A	1.9 W	3	0.13 kg
NH000GG50V4	M212462	500 V	250 V	4 A	1.5 W	3	0.13 kg
NH000GG50V6	D213995	500 V	250 V	6 A	1.6 W	3	0.13 kg
NH000GG50V10	B219651	500 V	250 V	10 A	1.1 W	3	0.13 kg
NH000GG50V16	K222097	500 V	250 V	16 A	1.8 W	9	0.13 kg
NH000GG50V20	A222847	500 V	250 V	20 A	2.3 W	9	0.13 kg
NH000GG50V25	E201185	500 V	250 V	25 A	2.4 W	9	0.13 kg
NH000GG50V32	Z211438	500 V	250 V	32 A	3.1 W	9	0.13 kg
NH000GG50V35	C211947	500 V	250 V	35 A	3 W	9	0.13 kg
NH000GG50V40	N212463	500 V	250 V	40 A	3.7 W	9	0.13 kg
NH000GG50V50	T212974	500 V	250 V	50 A	4.1 W	9	0.13 kg
NH000GG50V63	E213996	500 V	250 V	63 A	5.4 W	9	0.13 kg
NH000GG50V80	Y216543	500 V	250 V	80 A	6.5 W	9	0.13 kg
NH000GG50V100	B219122	500 V	250 V	100 A	7.5 W	9	0.13 kg



NH00GG50V125

### Size 00 gG 500VAC

Catalog number	Item number	Rated voltage AC (IEC)	Rated voltage DC (IEC)	Rated current I <sub>n</sub>	Power dissipation at I <sub>n</sub>	Package	Weight
NH00GG50V125	R201863	500 V	250 V	125 A	10 W	3	0.2 kg
NH00GG50V160	P211084	500 V	250 V	160 A	11.3 W	3	0.2 kg



NH0GG50V6

### Size 0 gG 500VAC

Catalog number	Item number	Rated voltage AC (IEC)	Rated voltage DC (IEC)	Rated current I <sub>n</sub>	Power dissipation at I <sub>n</sub>	Package	Weight
NH0GG50V6	H213148	500 V	250 V	6 A	1.6 W	3	0.27 kg
NH0GG50V10	G214159	500 V	250 V	10 A	1.1 W	3	0.27 kg
NH0GG50V16	Q215179	500 V	250 V	16 A	1.8 W	3	0.27 kg
NH0GG50V20	R215686	500 V	250 V	20 A	2.3 W	3	0.27 kg
NH0GG50V25	Y216198	500 V	250 V	25 A	2.4 W	3	0.27 kg
NH0GG50V32	W216702	500 V	250 V	32 A	3.1 W	3	0.27 kg
NH0GG50V35	J217220	500 V	250 V	35 A	3 W	3	0.27 kg
NH0GG50V40	P217731	500 V	250 V	40 A	3.7 W	3	0.27 kg
NH0GG50V50	Z218246	500 V	250 V	50 A	4.1 W	3	0.27 kg
NH0GG50V63	N218765	500 V	250 V	63 A	6.6 W	3	0.27 kg
NH0GG50V80	C219284	500 V	250 V	80 A	8 W	3	0.27 kg
NH0GG50V100	D219814	500 V	250 V	100 A	9.4 W	3	0.27 kg
NH0GG50V125	P222492	500 V	250 V	125 A	11.8 W	3	0.27 kg
NH0GG50V160	F223013	500 V	250 V	160 A	14.6 W	3	0.27 kg
NH0GG50V200	C229611	500 V	250 V	200 A	18.1 W	3	0.27 kg
NH0GG50V224	D229612	500 V	250 V	224 A	19.2 W	3	0.27 kg
NH0GG50V250	E229613	500 V	250 V	250 A	20.3 W	3	0.27 kg

# NH fuse-links gG 500VAC

double indicator/live gripping-lugs size 000, 00, 0, 1, 2, 3

## PRODUCT RANGE



NH1GG50V16

### Size 1 gG 500VAC

Catalog number	Item number	Rated voltage AC (IEC)	Rated voltage DC (IEC)	Rated current I <sub>n</sub>	Power dissipation at I <sub>n</sub>	Width	Package	Weight
NH1GG50V16	M200801	500 V	250 V	16 A	1.8 W	29.5 mm	3	0.28 kg
NH1GG50V20	C201344	500 V	250 V	20 A	2.3 W	29.5 mm	3	0.28 kg
NH1GG50V25	N201860	500 V	250 V	25 A	2.4 W	29.5 mm	3	0.28 kg
NH1GG50V32	L211081	500 V	250 V	32 A	3.1 W	29.5 mm	3	0.28 kg
NH1GG50V35	A211600	500 V	250 V	35 A	3 W	29.5 mm	3	0.28 kg
NH1GG50V40	Y212633	500 V	250 V	40 A	3.7 W	29.5 mm	3	0.28 kg
NH1GG50V50	B213648	500 V	250 V	50 A	4.1 W	29.5 mm	3	0.28 kg
NH1GG50V63	L214669	500 V	250 V	63 A	6.6 W	29.5 mm	3	0.28 kg
NH1GG50V80	S215687	500 V	250 V	80 A	8 W	29.5 mm	3	0.28 kg
NH1GG50V100	X216703	500 V	250 V	100 A	9.4 W	29.5 mm	3	0.28 kg
NH1GG50V125	V236044	500 V	250 V	125 A	11.8 W	29.5 mm	3	0.28 kg
NH1GG50V160	A218247	500 V	250 V	160 A	14.6 W	39.5 mm	3	0.42 kg
NH1GG50V200	P218766	500 V	250 V	200 A	18 W	39.5 mm	3	0.42 kg
NH1GG50V224	D219285	500 V	250 V	224 A	19 W	39.5 mm	3	0.42 kg
NH1GG50V250	E219815	500 V	250 V	250 A	20 W	39.5 mm	3	0.42 kg
NH1GG50V315	Q228519	500 V	250 V	315 A	20.5 W	39.5 mm	3	0.42 kg
NH1GG50V355	R228520	500 V	250 V	355 A	23.7 W	39.5 mm	3	0.42 kg



NH2GG50V63

### Size 2 gG 500VAC

Catalog number	Item number	Rated voltage AC (IEC)	Rated voltage DC (IEC)	Rated current I <sub>n</sub>	Power dissipation at I <sub>n</sub>	Width	Package	Weight
NH2GG50V25	N200802	500 V	250 V	25 A	2.4 W	39.5 mm	3	0.42 kg
NH2GG50V32	D201345	500 V	250 V	32 A	3.1 W	39.5 mm	3	0.42 kg
NH2GG50V35	P201861	500 V	250 V	35 A	3 W	39.5 mm	3	0.42 kg
NH2GG50V40	M211082	500 V	250 V	40 A	3.7 W	39.5 mm	3	0.42 kg
NH2GG50V50	B211601	500 V	250 V	50 A	4.1 W	39.5 mm	3	0.42 kg
NH2GG50V63	Z212634	500 V	250 V	63 A	6.8 W	39.5 mm	3	0.42 kg
NH2GG50V80	C213649	500 V	250 V	80 A	8.3 W	39.5 mm	3	0.42 kg
NH2GG50V100	M214670	500 V	250 V	100 A	10.7 W	39.5 mm	3	0.42 kg
NH2GG50V125	T215688	500 V	250 V	125 A	12.2 W	39.5 mm	3	0.42 kg
NH2GG50V160	Y216704	500 V	250 V	160 A	15 W	39.5 mm	3	0.42 kg
NH2GG50V200	R217733	500 V	250 V	200 A	18.5 W	39.5 mm	3	0.42 kg
NH2GG50V224	Q218767	500 V	250 V	224 A	19.2 W	39.5 mm	3	0.42 kg
NH2GG50V250	R222494	500 V	250 V	250 A	20.6 W	39.5 mm	3	0.42 kg
NH2GG50V300	P200803	500 V	250 V	300 A	21 W	51 mm	3	0.64 kg
NH2GG50V315	E201346	500 V	250 V	315 A	25 W	51 mm	3	0.64 kg
NH2GG50V355	Q201862	500 V	250 V	355 A	31.5 W	51 mm	3	0.64 kg
NH2GG50V400	N211083	500 V	250 V	400 A	32 W	51 mm	3	0.64 kg
NH2GG50V425	S228521	500 V	250 V	425 A	32.2 W	51 mm	3	0.64 kg
NH2GG50V500	T228522	500 V	250 V	500 A	35.6 W	51 mm	3	0.64 kg

# NH fuse-links gG 500VAC

double indicator/live gripping-lugs size 000, 00, 0, 1, 2, 3

## PRODUCT RANGE

### Size 3 gG 500VAC



NH3GG50V250



NH3GG50V800

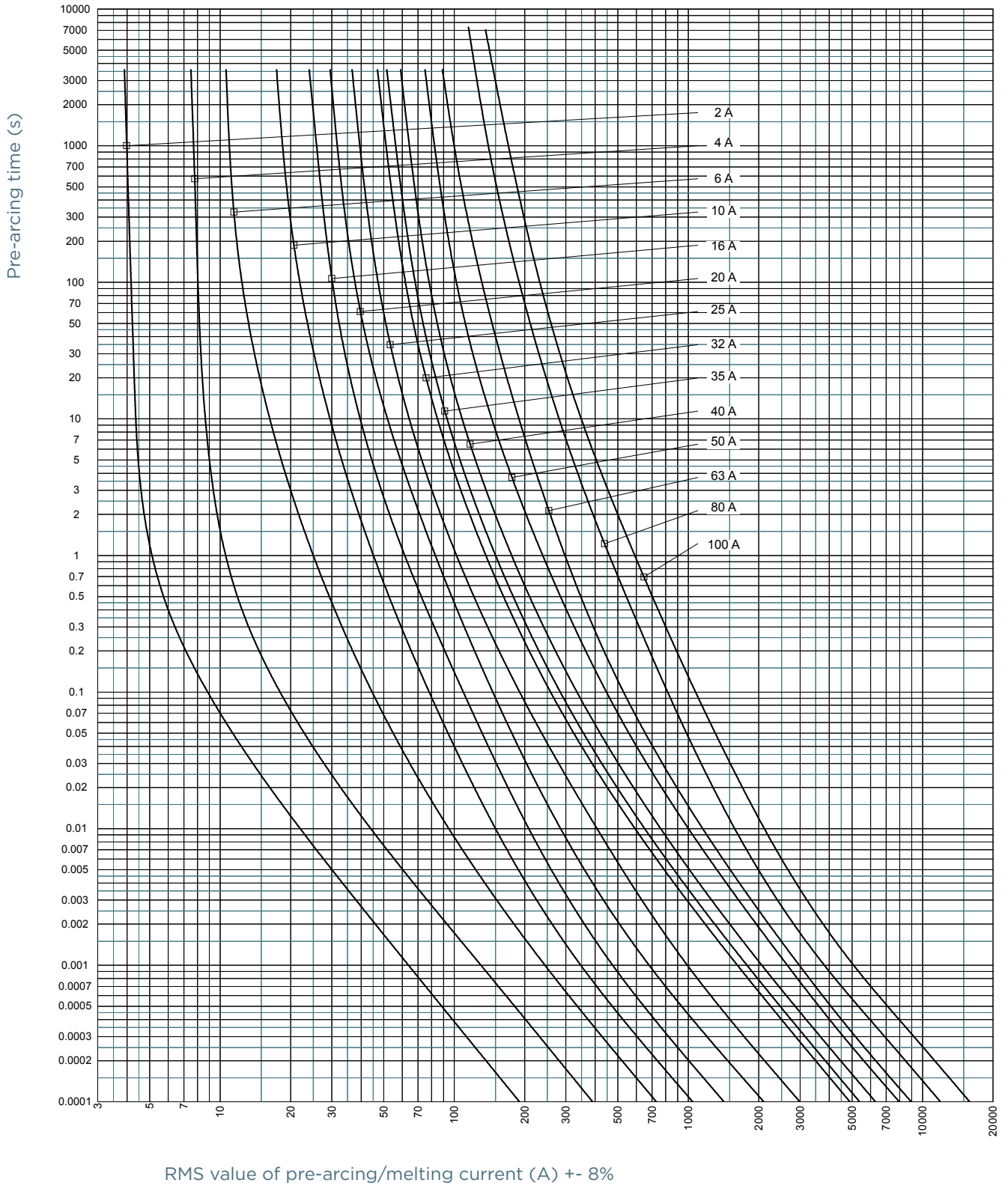
Catalog number	Item number	Rated voltage AC (IEC)	Rated voltage DC (IEC)	Rated current I <sub>n</sub>	Power dissipation at I <sub>n</sub>	Width	Package	Weight
NH3GG50V63	R1069078	500 V	250 V	63 A	6.8 W	51 mm	1	0.65 kg
NH3GG50V80	S1069079	500 V	250 V	80 A	8.3 W	51 mm	1	0.65 kg
NH3GG50V100	S235168	500 V	250 V	100 A	10.7 W	51 mm	1	0.65 kg
NH3GG50V125	T235169	500 V	250 V	125 A	12.2 W	51 mm	1	0.65 kg
NH3GG50V160	V235170	500 V	250 V	160 A	15 W	51 mm	1	0.65 kg
NH3GG50V200	W235171	500 V	250 V	200 A	18.5 W	51 mm	1	0.65 kg
NH3GG50V224	V233744	500 V	250 V	224 A	20 W	51 mm	1	0.65 kg
NH3GG50V250	C211602	500 V	250 V	250 A	21.1 W	51 mm	1	0.65 kg
NH3GG50V300	A212635	500 V	250 V	300 A	20 W	51 mm	1	0.65 kg
NH3GG50V315	L213151	500 V	250 V	315 A	25 W	51 mm	1	0.65 kg
NH3GG50V355	K214162	500 V	250 V	355 A	32 W	51 mm	1	0.65 kg
NH3GG50V400	T215182	500 V	250 V	400 A	34 W	51 mm	1	0.65 kg
NH3GG50V425	B216201	500 V	250 V	425 A	34 W	70 mm	1	1.05 kg
NH3GG50V450	Z216705	500 V	250 V	450 A	38 W	70 mm	1	1.05 kg
NH3GG50V500	M217223	500 V	250 V	500 A	43 W	70 mm	1	1.05 kg
NH3GG50V630	S217734	500 V	250 V	630 A	43.1 W	70 mm	1	1.05 kg
NH3GG50V800	V228523	500 V	250 V	800 A	53.2 W	70 mm	1	1.05 kg

## TECHNICAL DATA

	Size 000	Size 00	Size 0	Size 1	Size 2	Size 3
Size	000	00	0	1	2	3
Rated current	2 ... 100 A	125 ... 160 A	6 ... 250 A	16 ... 355 A	25 ... 500 A	63 ... 800 A
Rated breaking capacity AC	120 kA	120 kA	120 kA	120 kA	120 kA	120 kA
Rated voltage AC	500 V	500 V	500 V	500 V	500 V	500 V
Rated voltage DC	250 V	250 V	250 V	250 V	250 V	250 V
Indication System	double indicator	double indicator	double indicator	double indicator	double indicator	double indicator
Width	21 mm	30 mm	30 mm	40 mm	52 mm	72 mm

## TIME CURRENT CHARACTERISTIC CURVES

Size 000

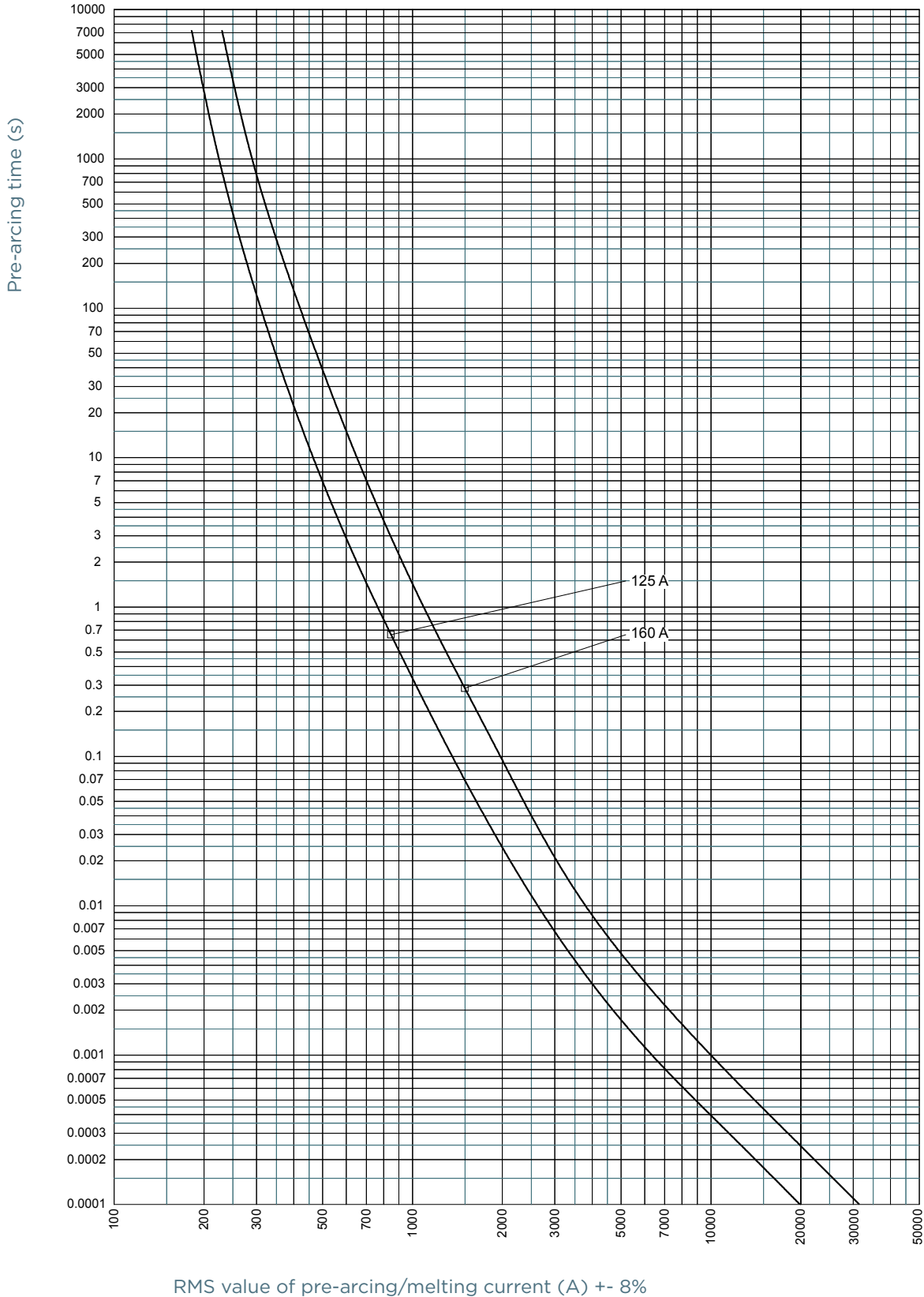


# NH fuse-links gG 500VAC

double indicator/live gripping-lugs size 000, 00, 0, 1, 2, 3

## TIME CURRENT CHARACTERISTIC CURVES

Size 00

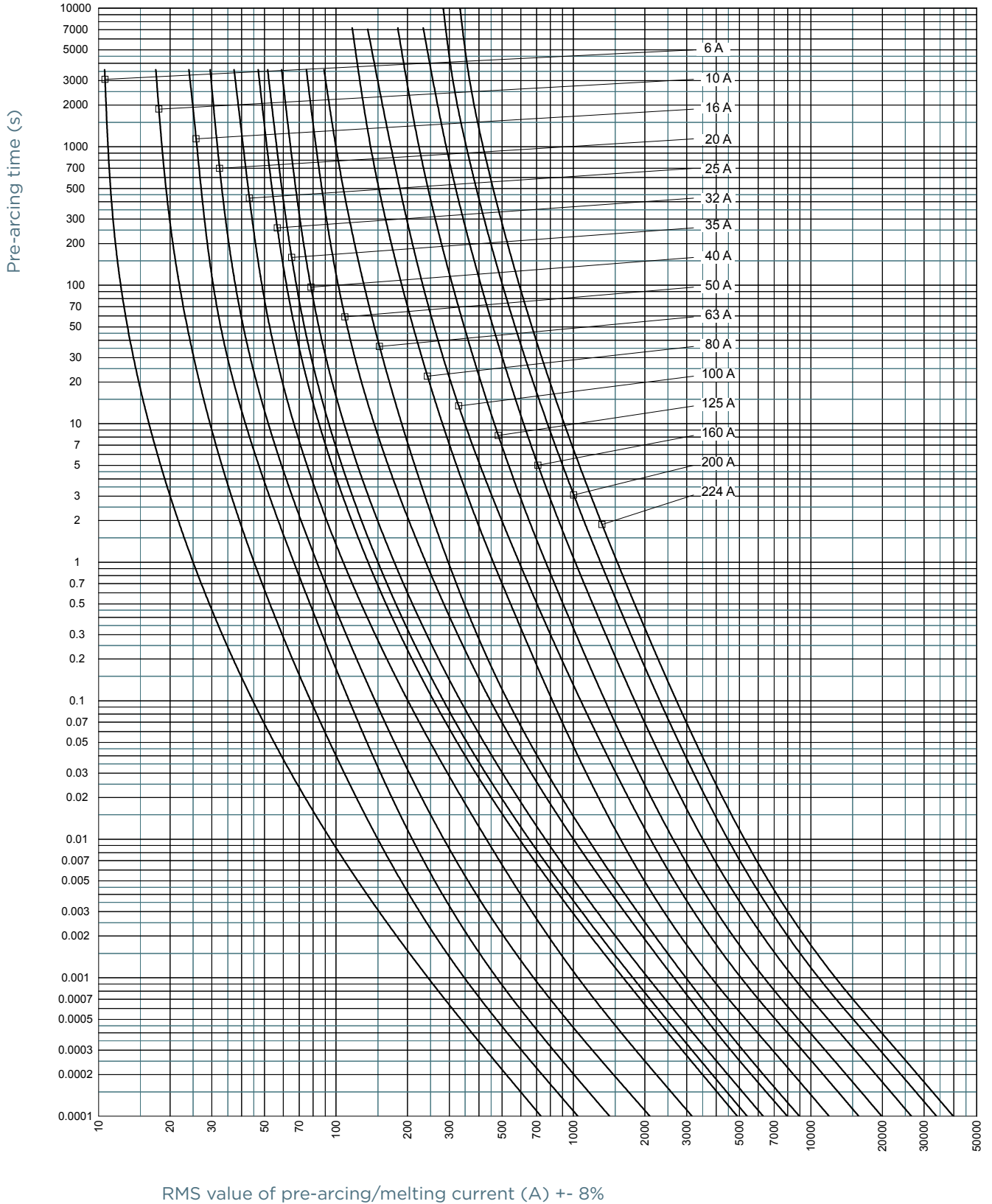


# NH fuse-links gG 500VAC

double indicator/live gripping-lugs size 000, 00, 0, 1, 2, 3

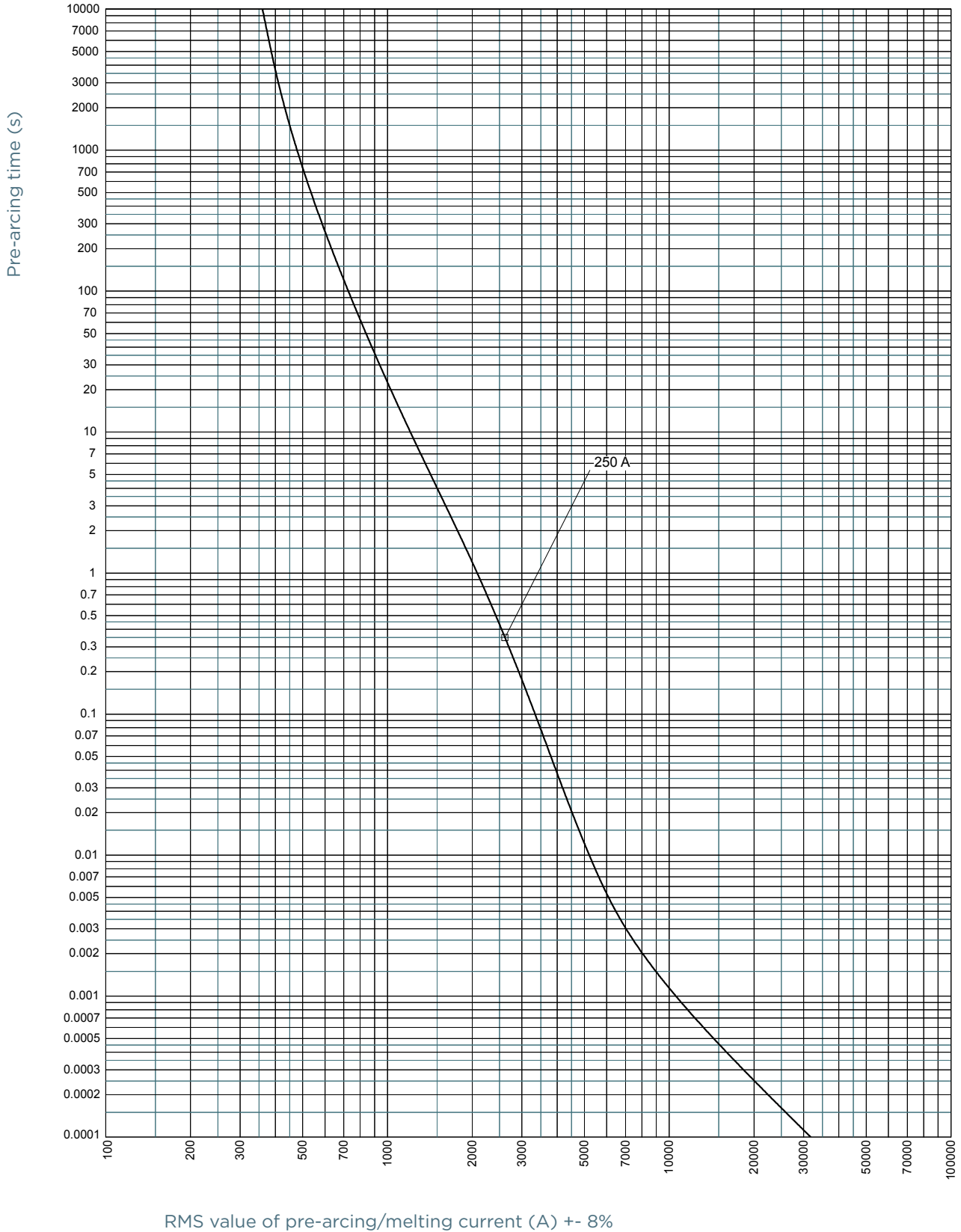
## TIME CURRENT CHARACTERISTIC CURVES

Size 0



## TIME CURRENT CHARACTERISTIC CURVES

Size 0



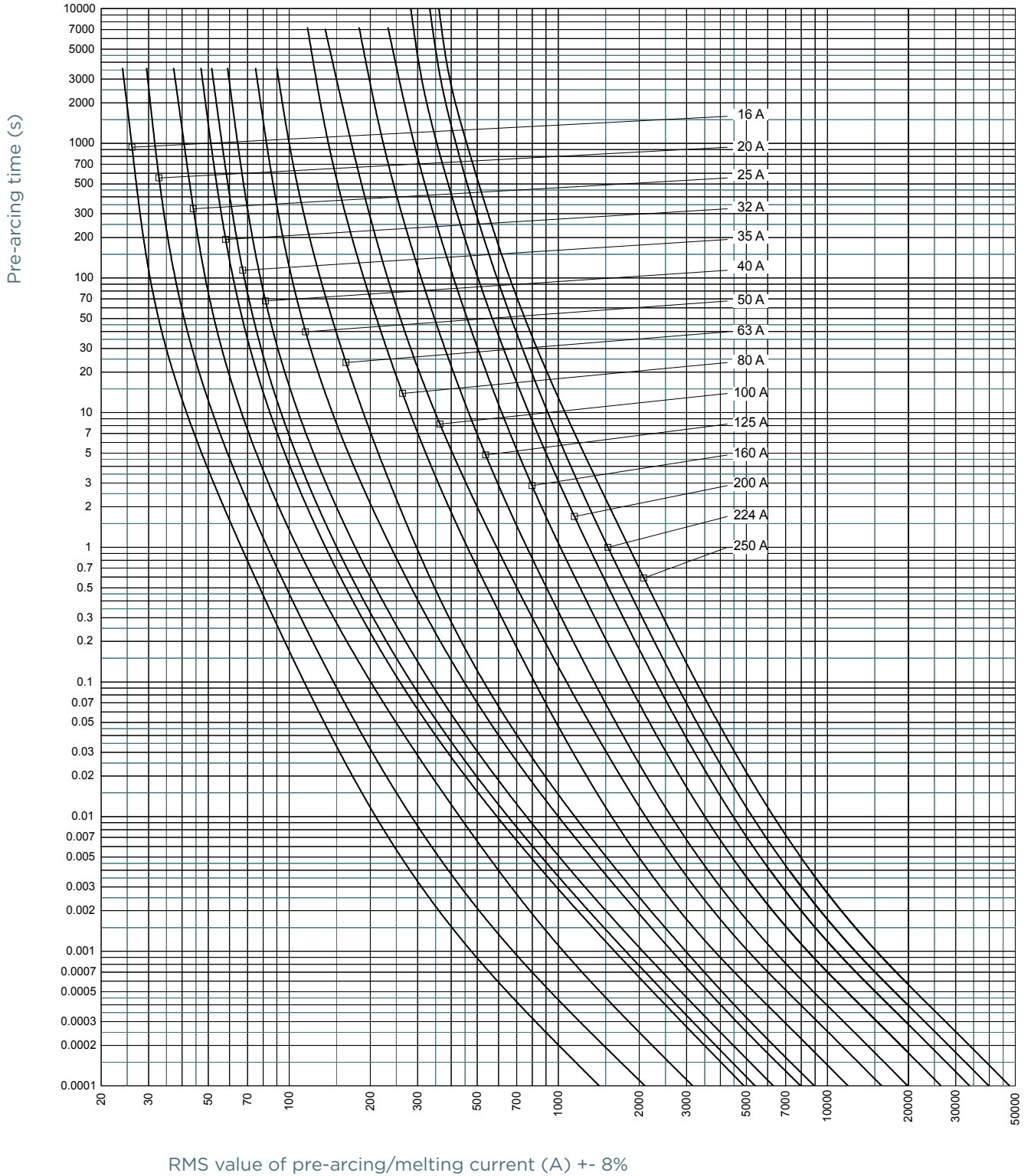


# NH fuse-links gG 500VAC

double indicator/live gripping-lugs size 000, 00, 0, 1, 2, 3

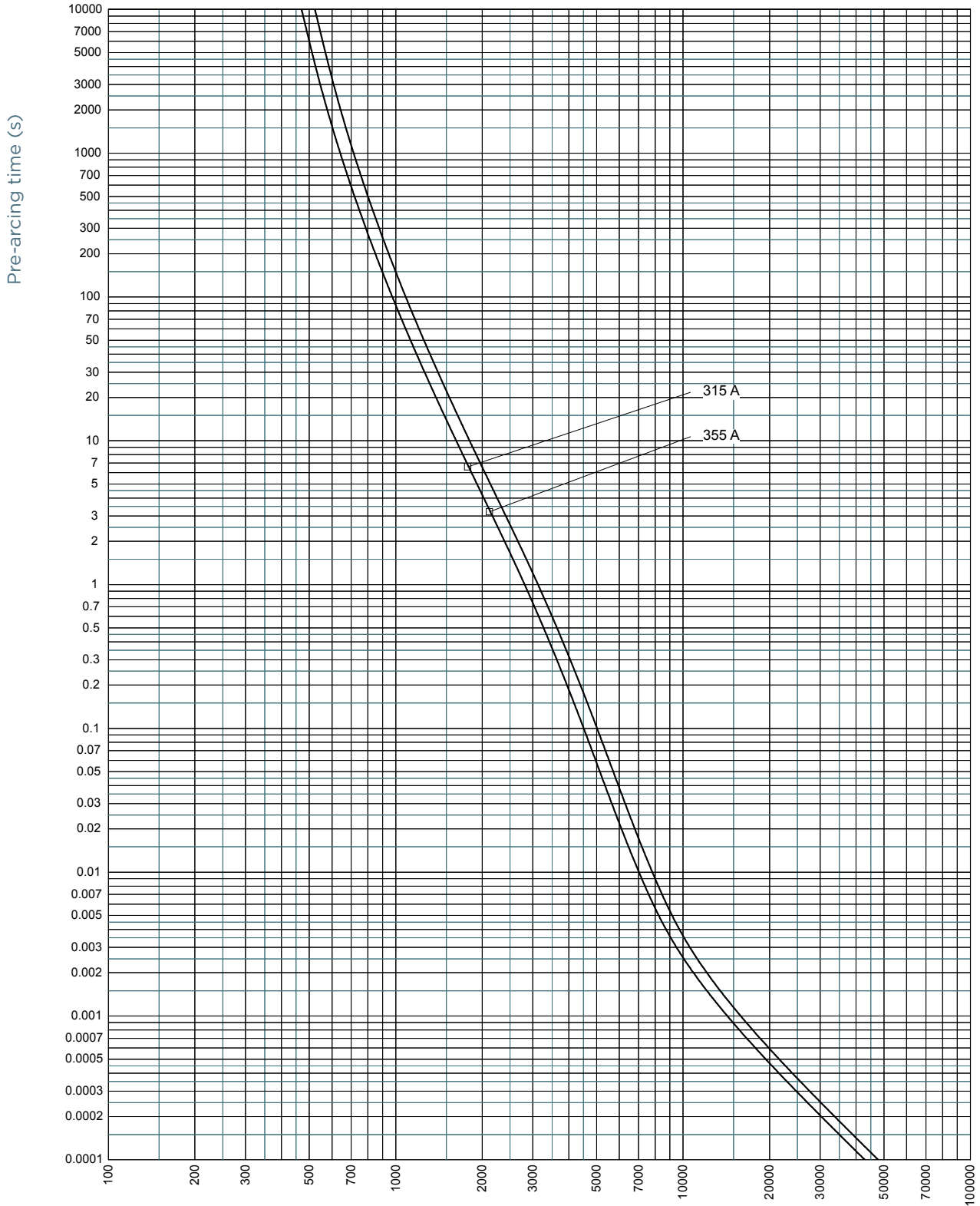
## TIME CURRENT CHARACTERISTIC CURVES

Size 1



## TIME CURRENT CHARACTERISTIC CURVES

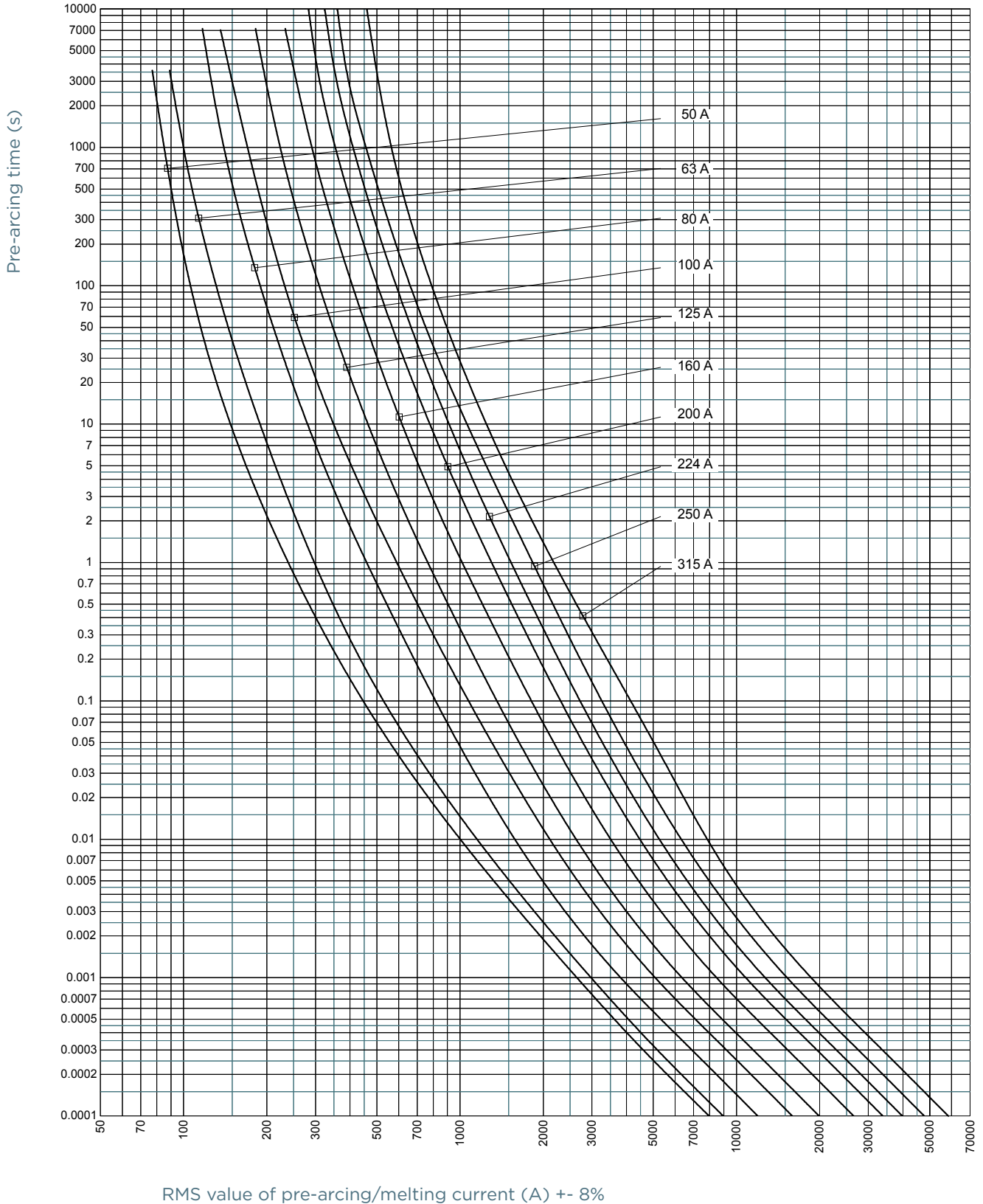
### Size 1



RMS value of pre-arcing/melting current (A) +/- 8%

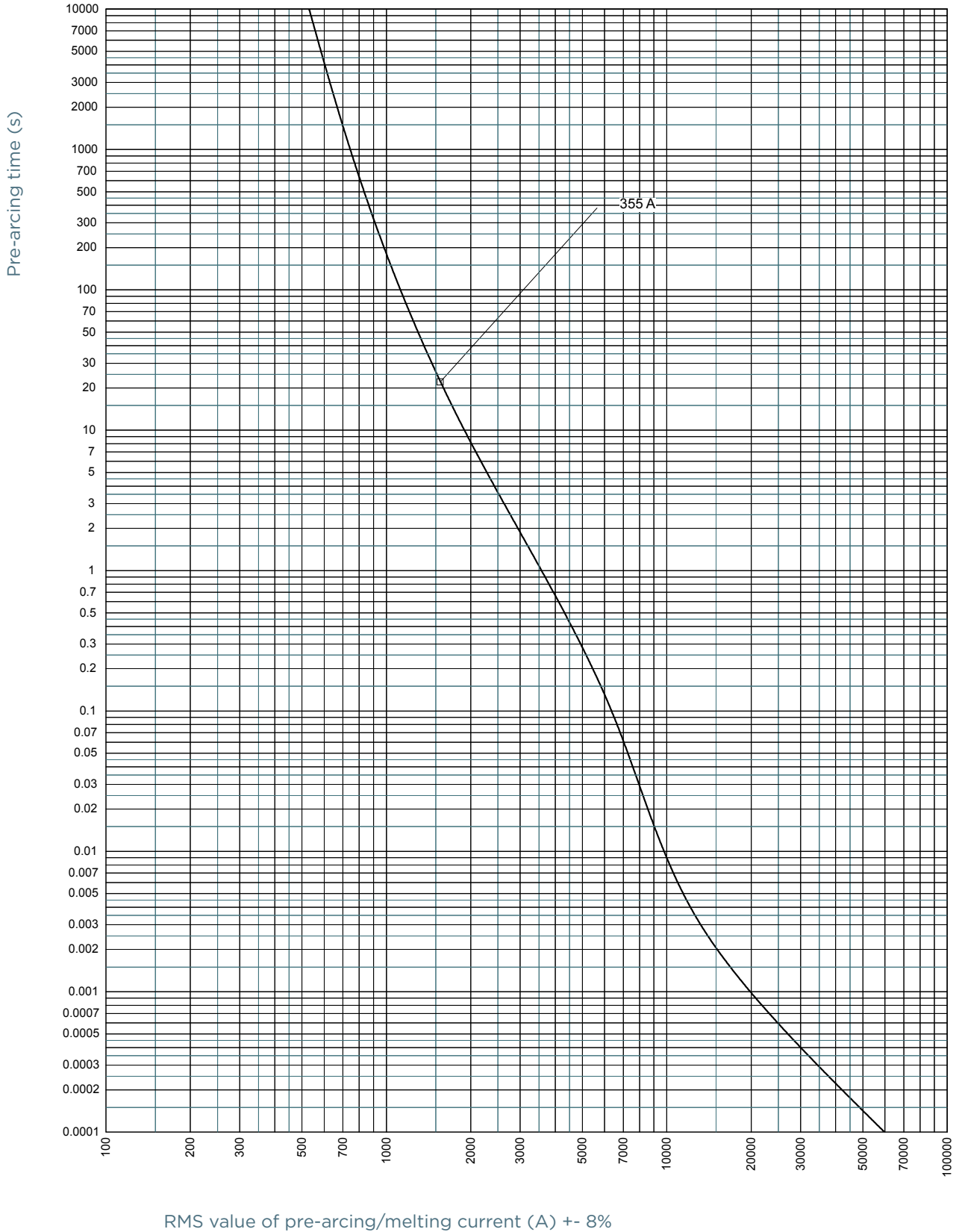
## TIME CURRENT CHARACTERISTIC CURVES

Size 2



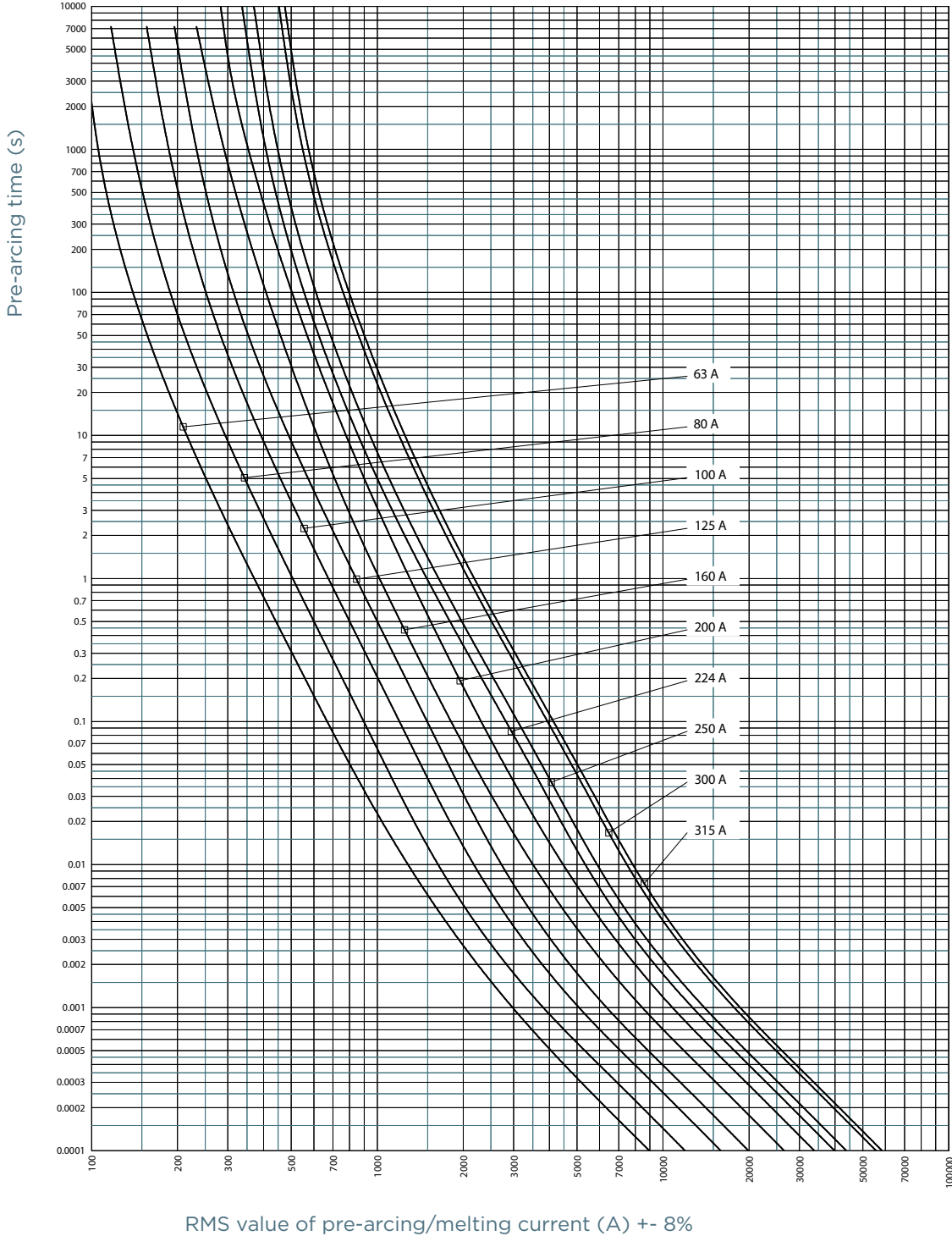
## TIME CURRENT CHARACTERISTIC CURVES

Size 2



## TIME CURRENT CHARACTERISTIC CURVES

Size 3

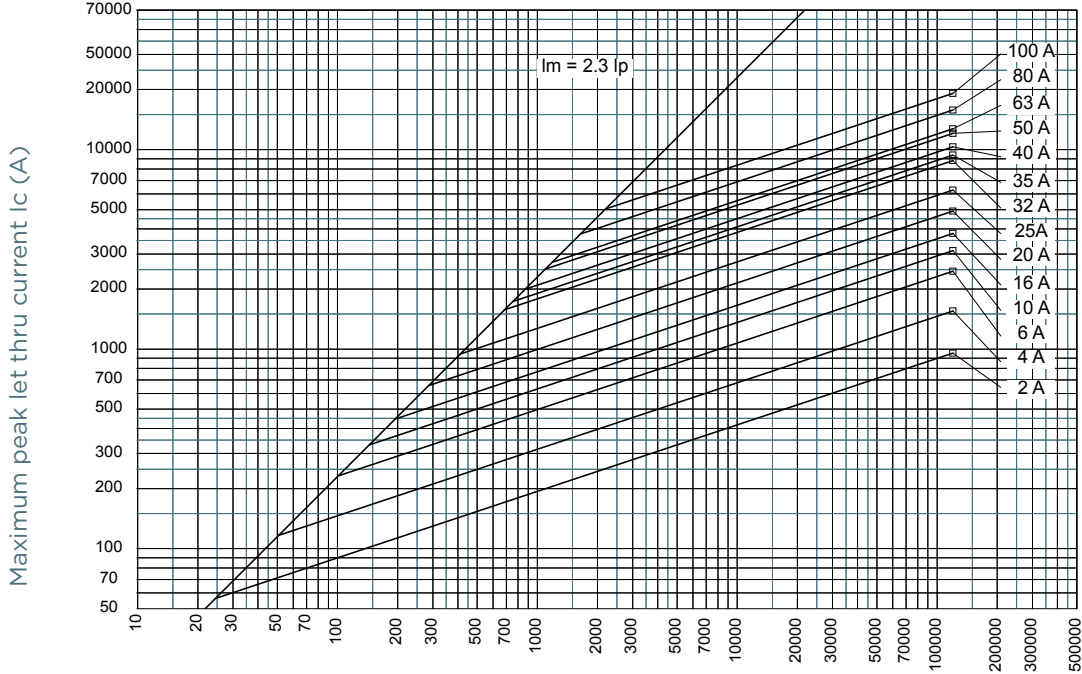


# NH fuse-links gG 500VAC

double indicator/live gripping-lugs size 000, 00, 0, 1, 2, 3

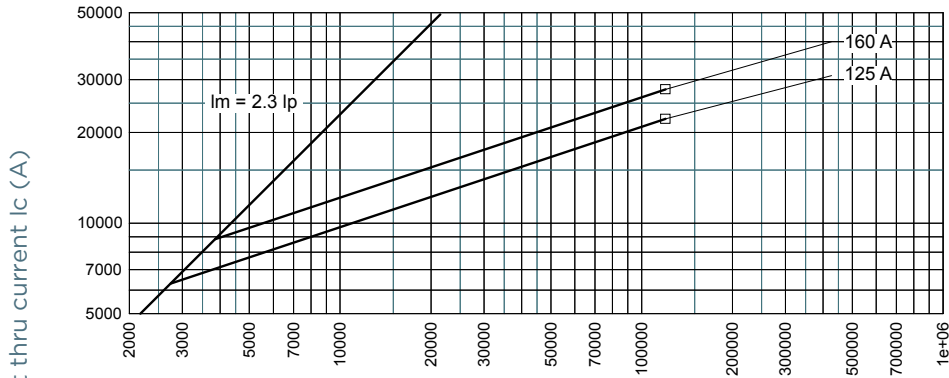
## CUT-OFF CURRENT CHARACTERISTIC

### Size 000



50 Hz RMS symmetrical prospective current  $I_p$  (A)

### Size 00



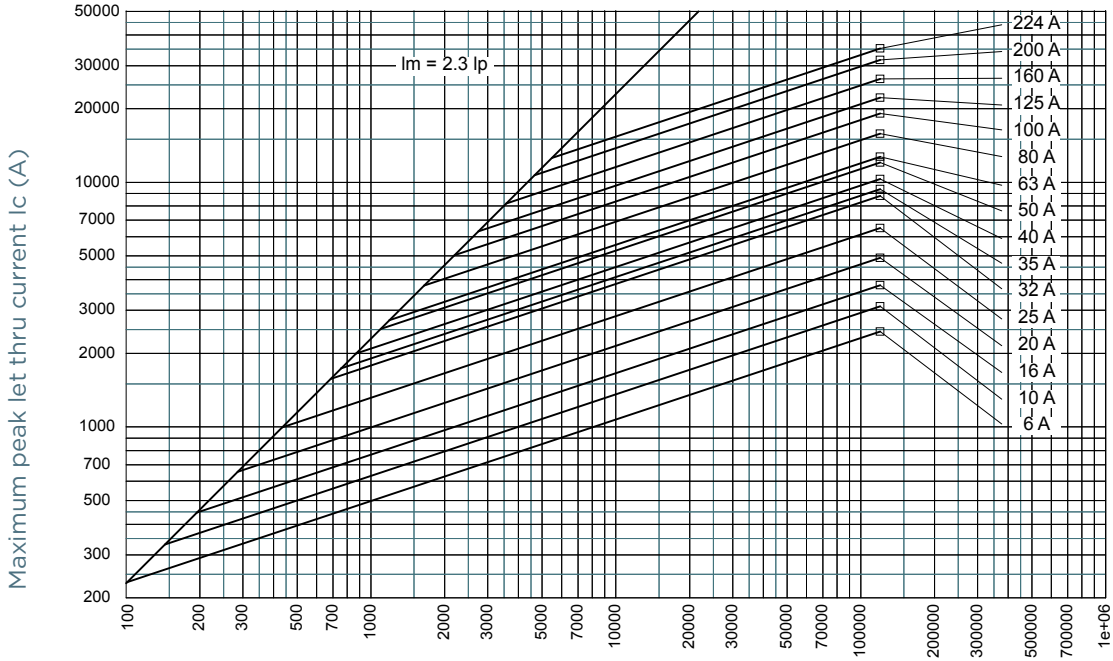
50 Hz RMS symmetrical prospective current  $I_p$  (A)

# NH fuse-links gG 500VAC

double indicator/live gripping-lugs size 000, 00, 0, 1, 2, 3

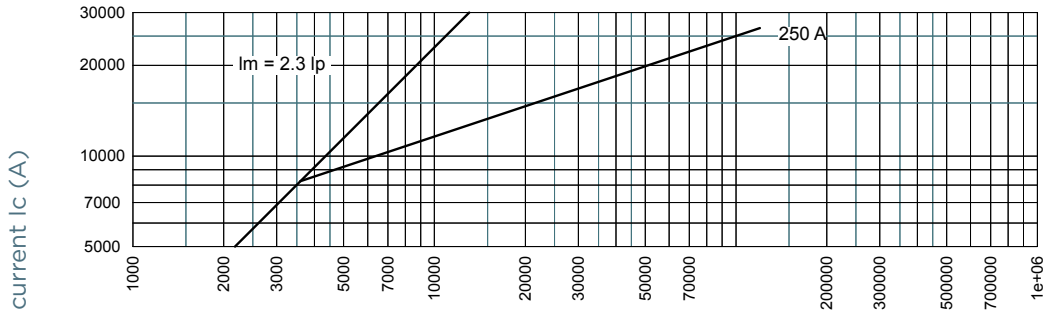
## CUT-OFF CURRENT CHARACTERISTIC

Size 0



50 Hz RMS symmetrical prospective current  $I_p$  (A)

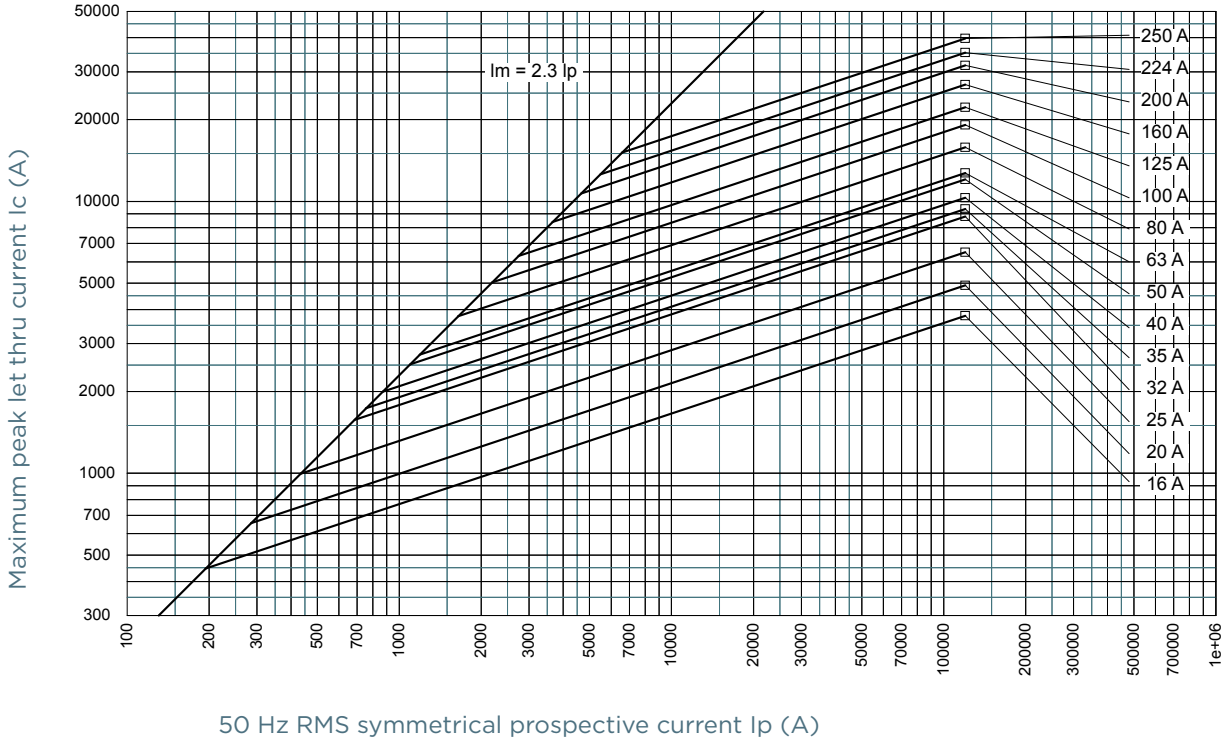
Size 0



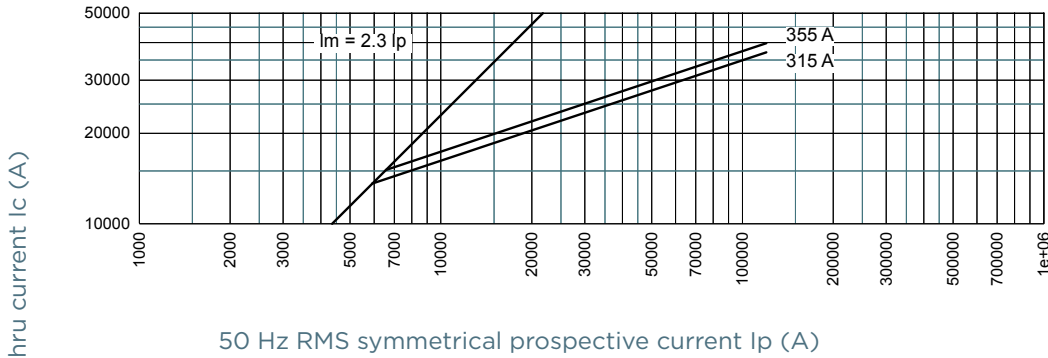
50 Hz RMS symmetrical prospective current  $I_p$  (A)

## CUT-OFF CURRENT CHARACTERISTIC

### Size 1



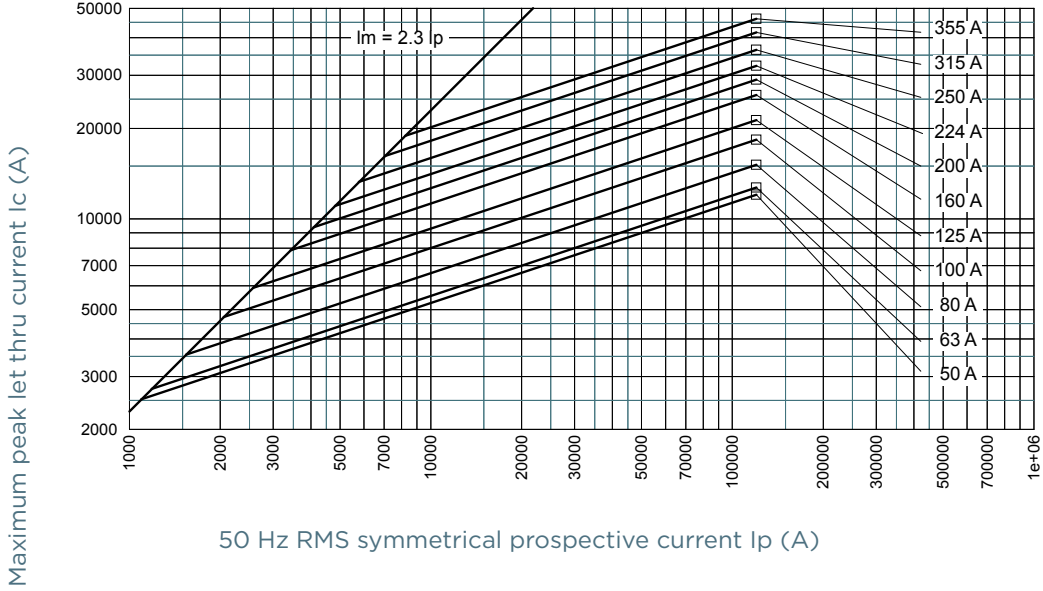
### Size 1





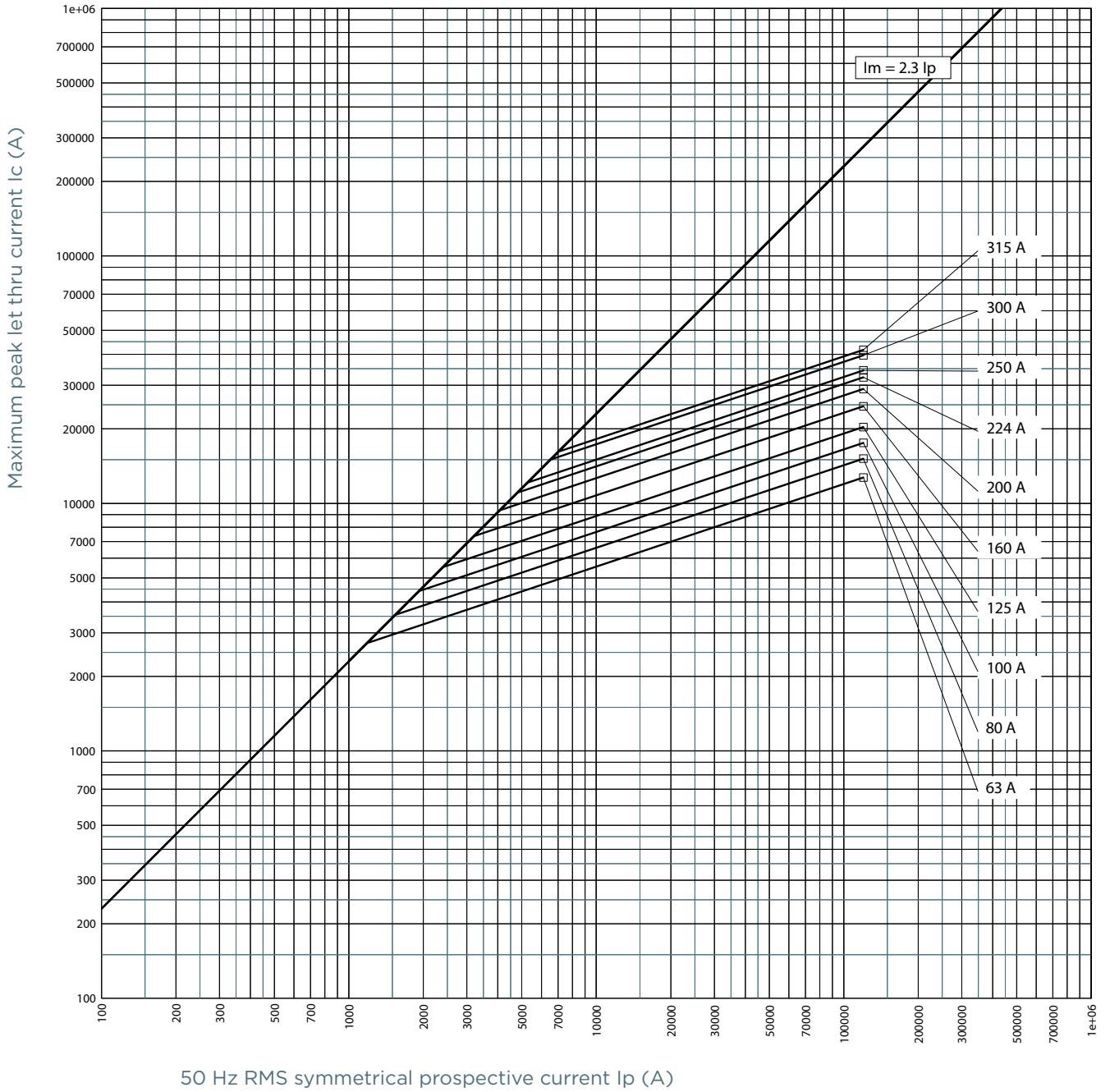
## CUT-OFF CURRENT CHARACTERISTIC

### Size 2



## CUT-OFF CURRENT CHARACTERISTIC

Size 3

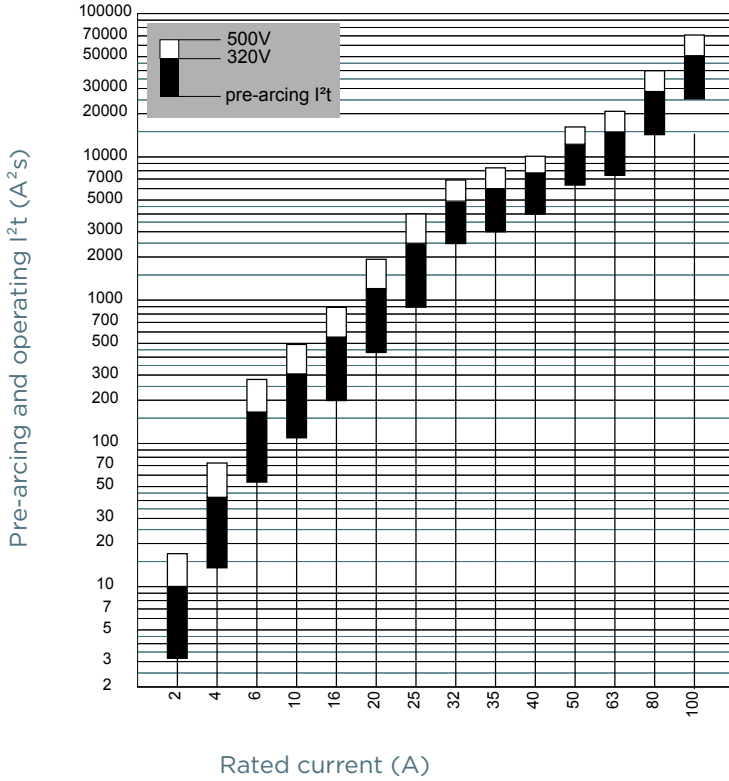


# NH fuse-links gG 500VAC

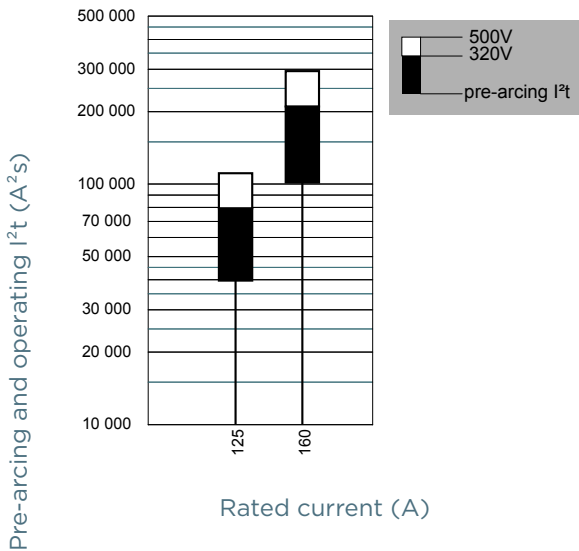
double indicator/live gripping-lugs size 000, 00, 0, 1, 2, 3

## PRE-ARCING AND OPERATING I<sup>2</sup>t CHARACTERISTICS

### Size 000

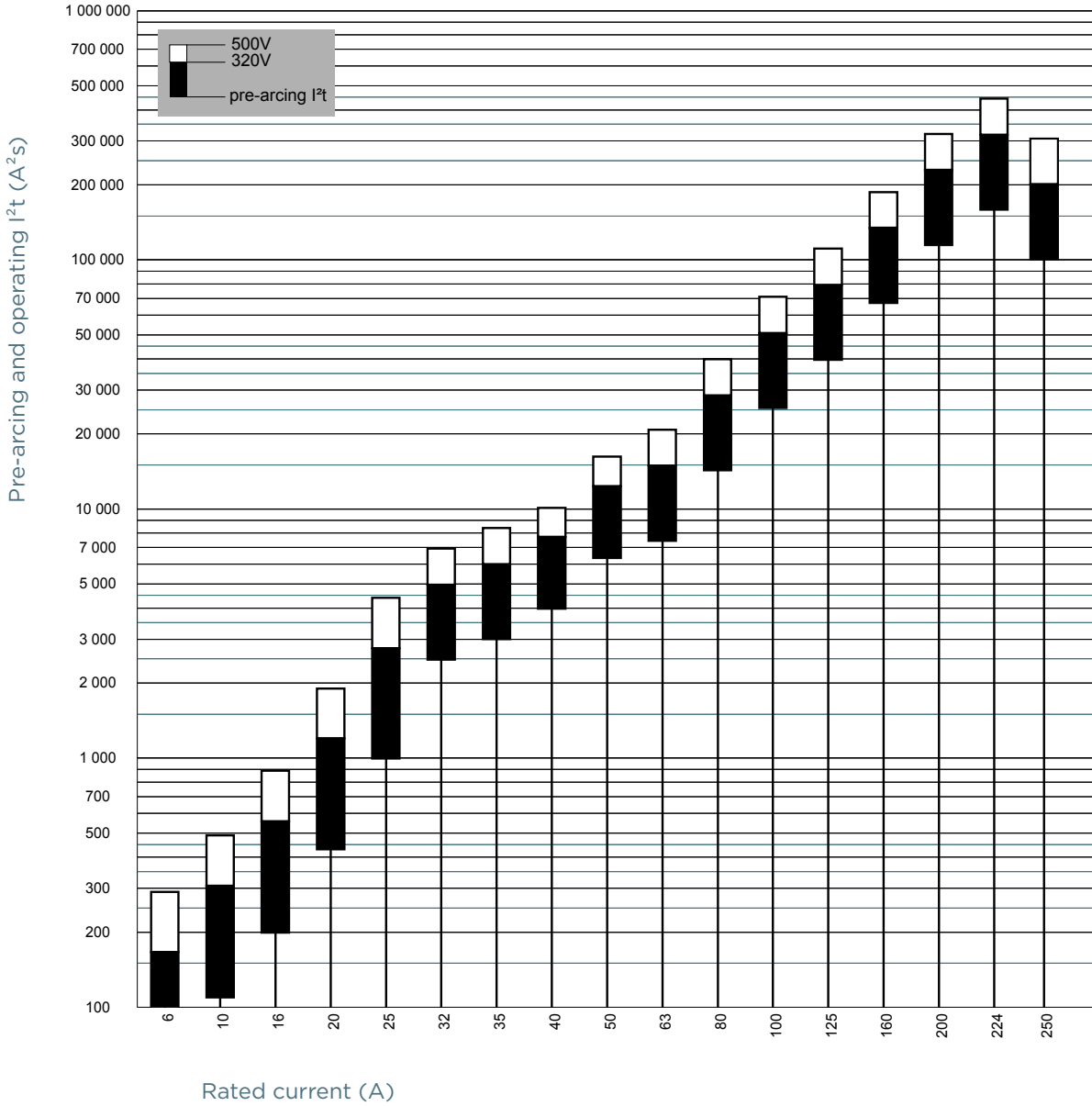


### Size 00



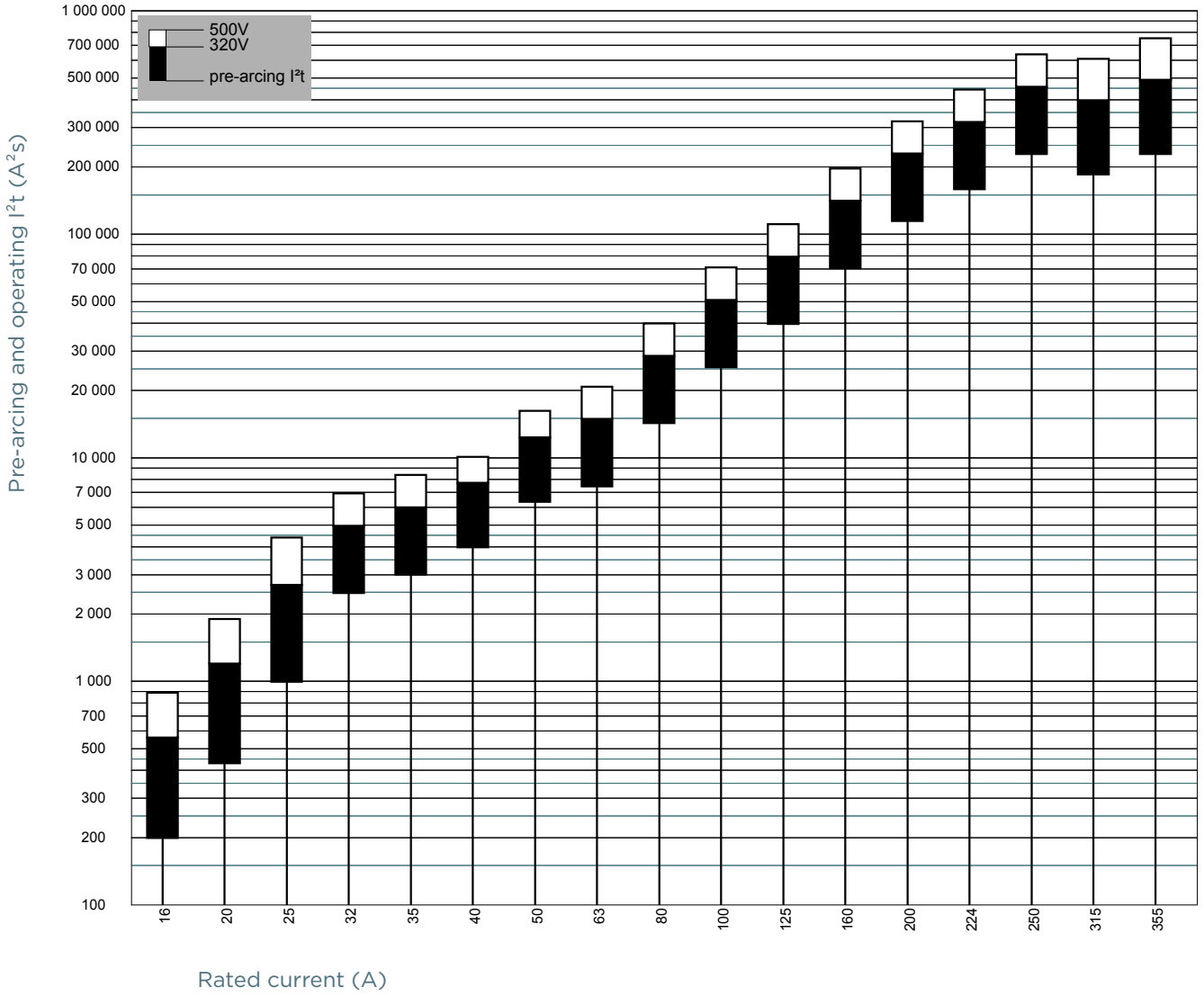
## PRE-ARCING AND OPERATING I<sup>2</sup>t CHARACTERISTICS

Size 0



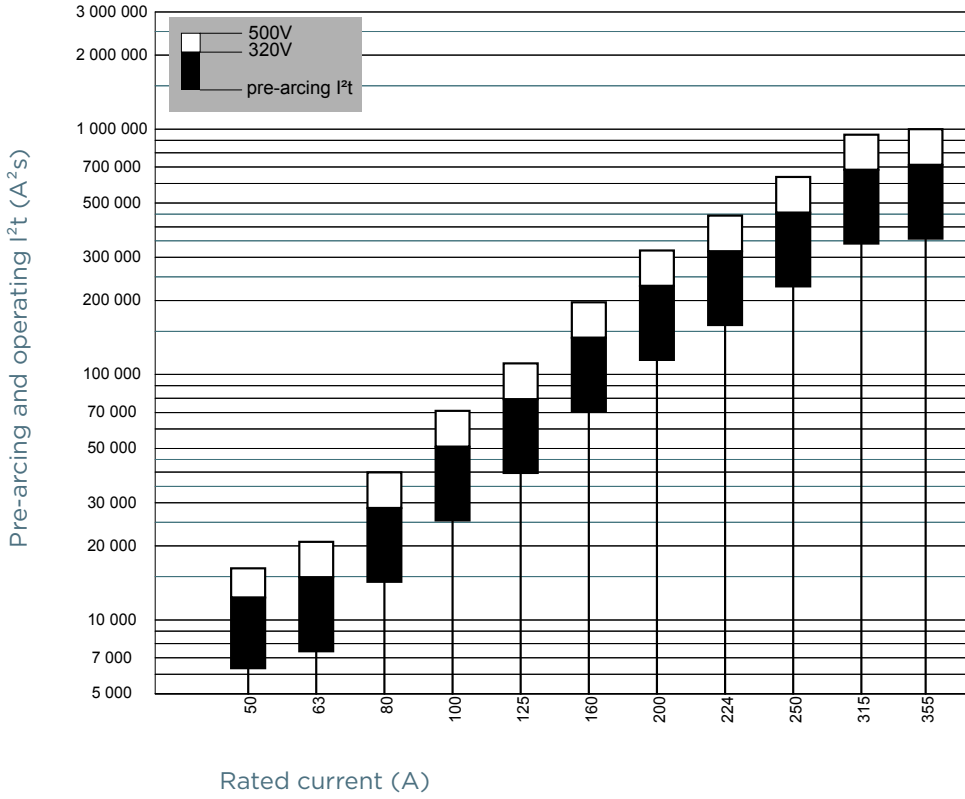
## PRE-ARCING AND OPERATING I<sup>2</sup>t CHARACTERISTICS

Size 1



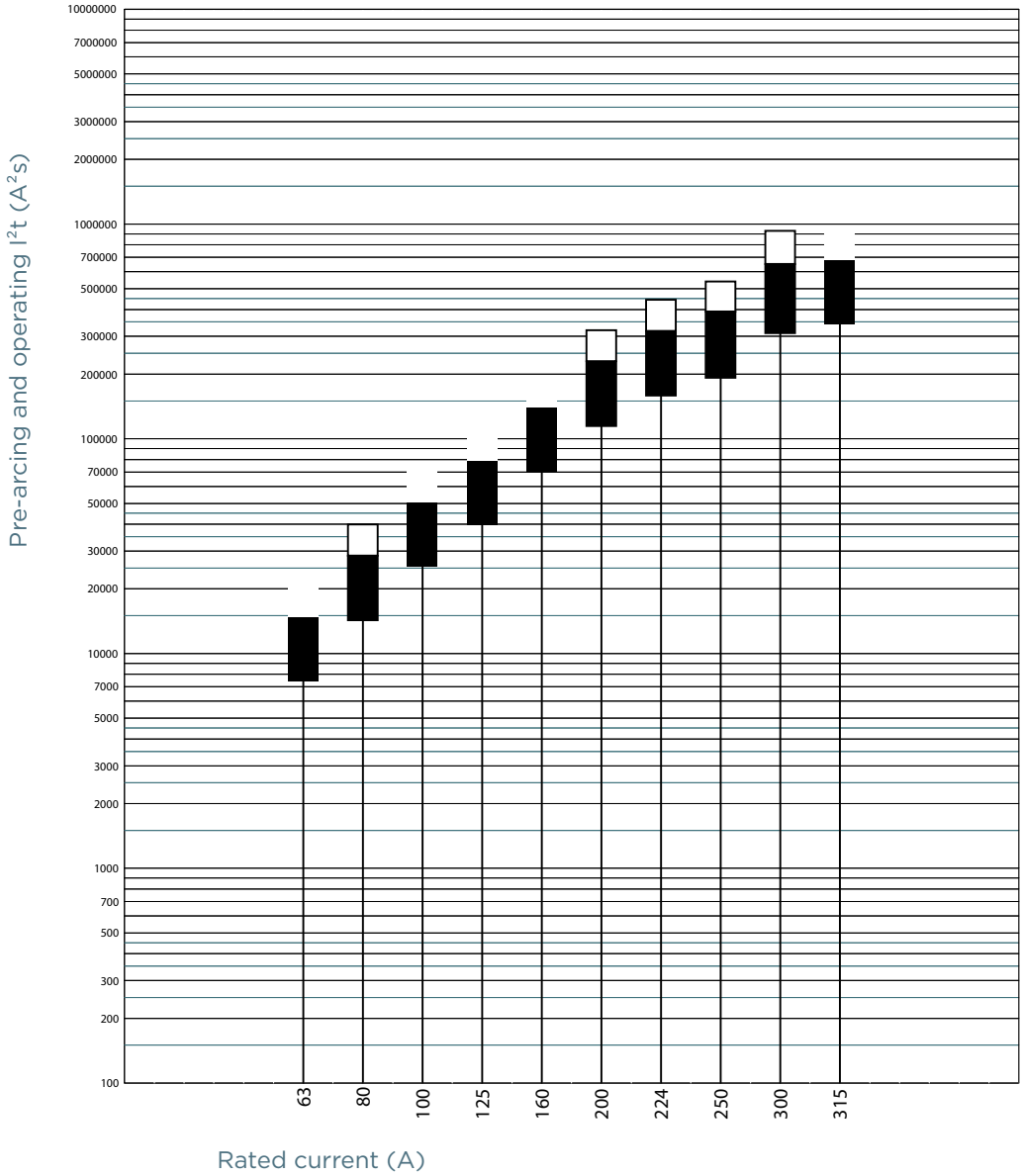
## PRE-ARCING AND OPERATING I<sup>2</sup>T CHARACTERISTICS

Size 2



## PRE-ARCING AND OPERATING I<sup>2</sup>T CHARACTERISTICS

Size 3

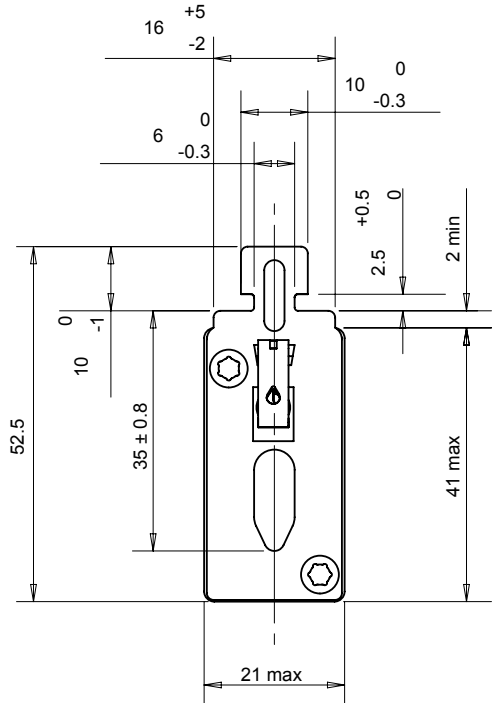
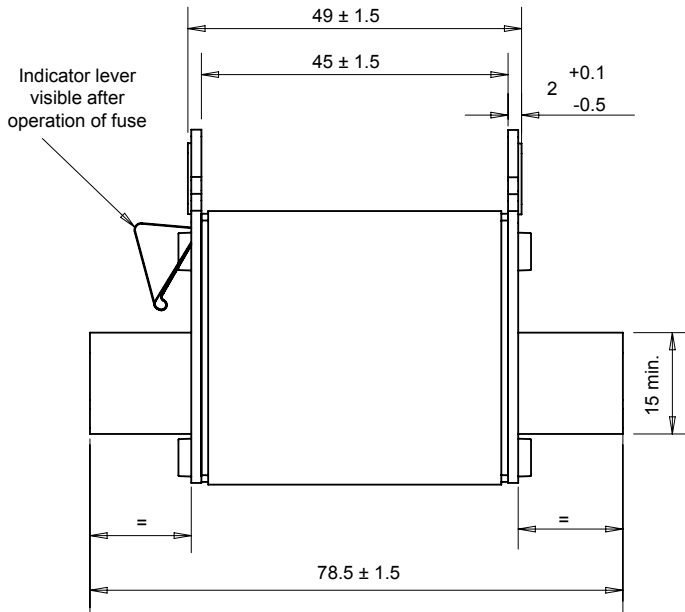


# NH fuse-links gG 500VAC

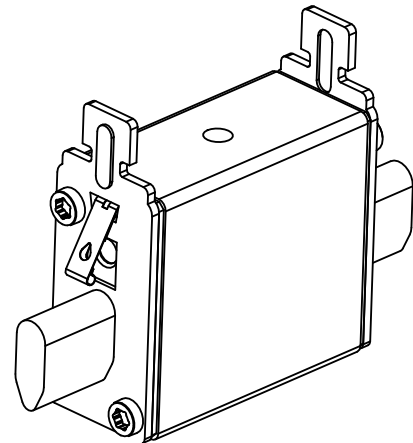
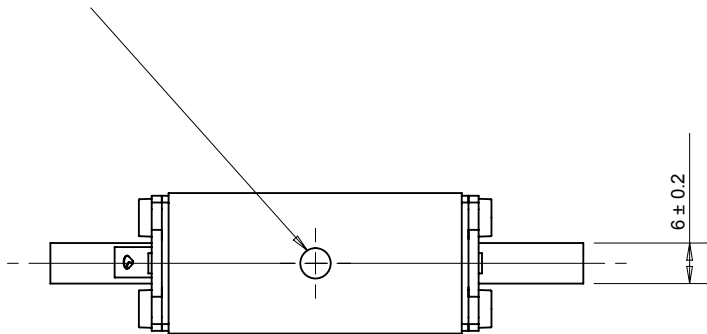
double indicator/live gripping-lugs size 000, 00, 0, 1, 2, 3

## DIMENSIONS

### Size 000 with double indicator



Visibility of red indicator signals conduction of the fuse-link.  
After operation the red indicator is no longer visible



Dimensions in mm

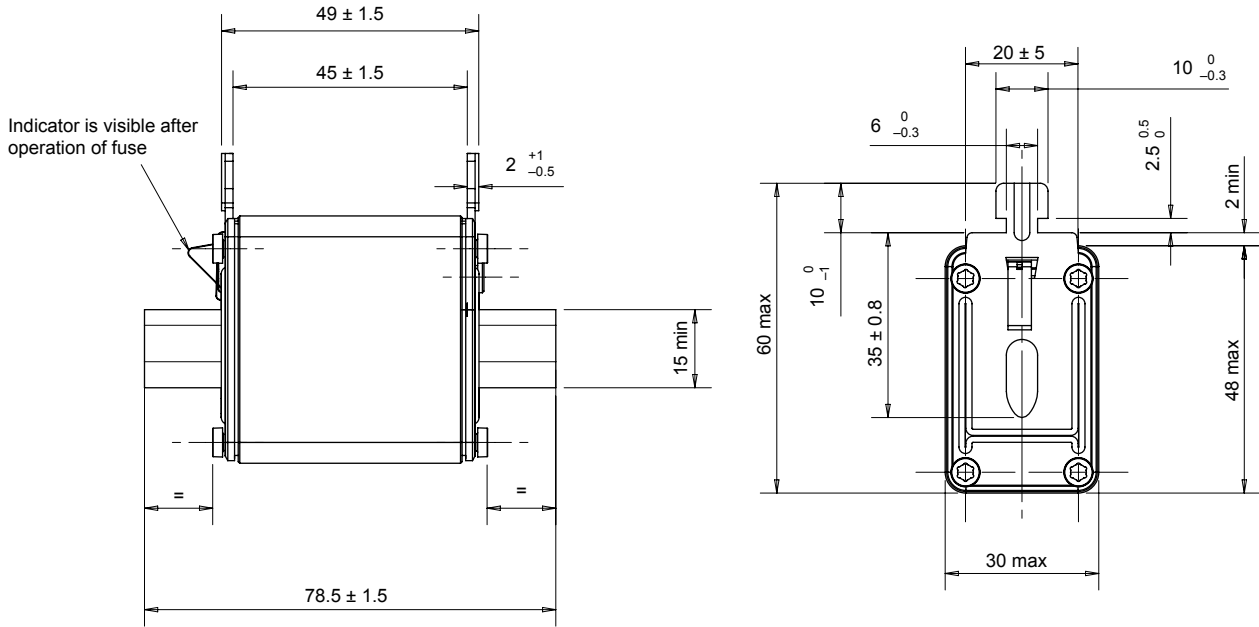


# NH fuse-links gG 500VAC

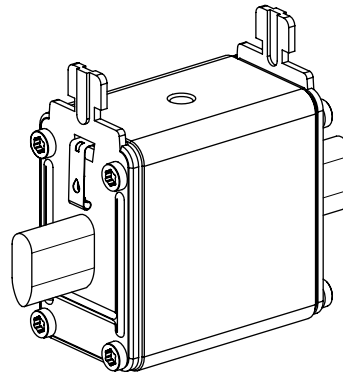
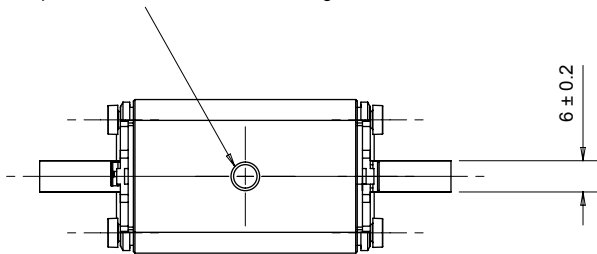
double indicator/live gripping-lugs size 000, 00, 0, 1, 2, 3

## DIMENSIONS

### Size 00 with double indicator



- Visibility of red indicator signals conduction of the fuse-link. After operation the red indicator is no longer visible.



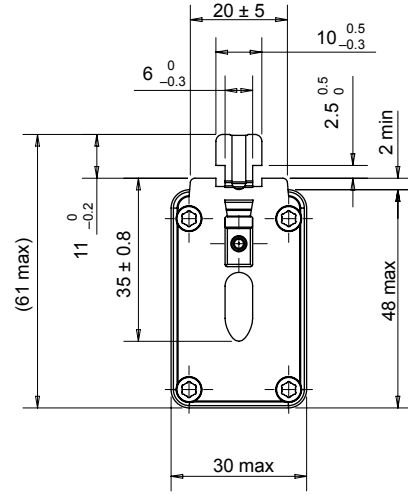
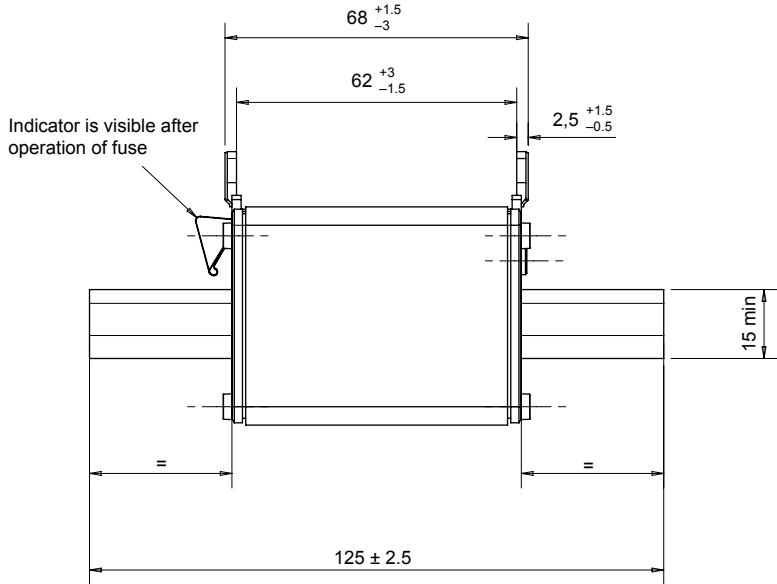
Dimensions in mm

# NH fuse-links gG 500VAC

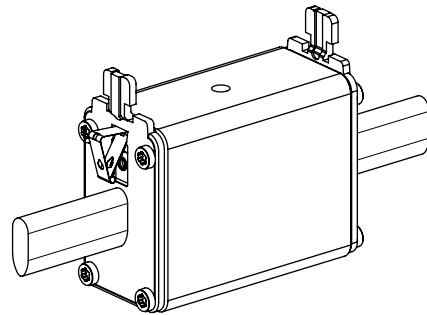
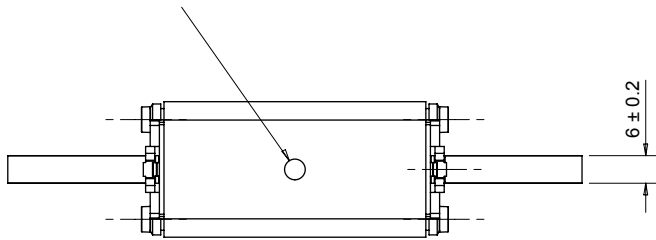
double indicator/live gripping-lugs size 000, 00, 0, 1, 2, 3

## DIMENSIONS

### Size 0 with double indicator



Visibility of red indicator signals conduction of the fuse-link. After operation the red indicator is no longer visible.



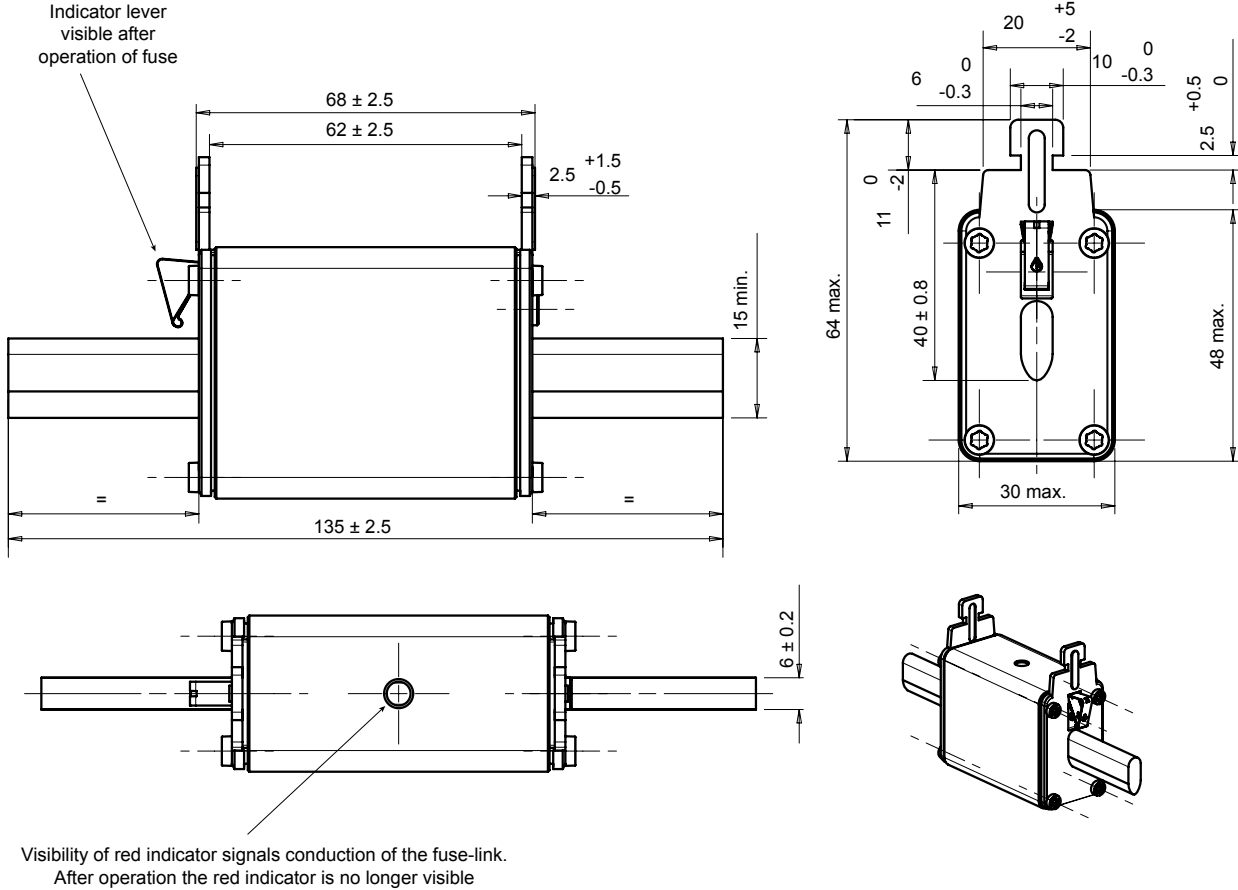
Dimensions in mm

# NH fuse-links gG 500VAC

double indicator/live gripping-lugs size 000, 00, 0, 1, 2, 3

## DIMENSIONS

### Size 1 compact with double indicator (16-100A)



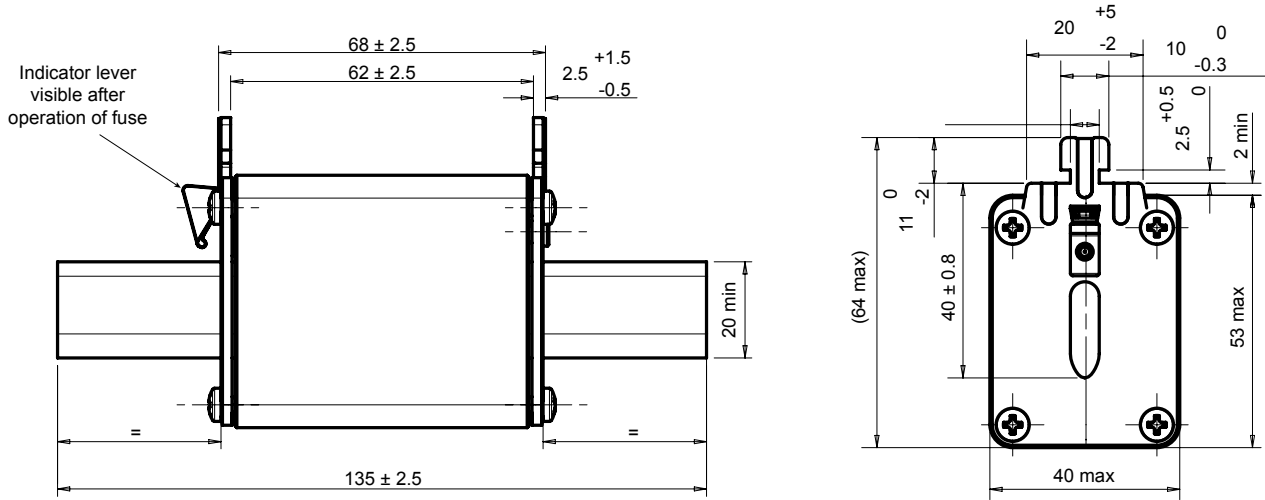
Dimensions in mm

# NH fuse-links gG 500VAC

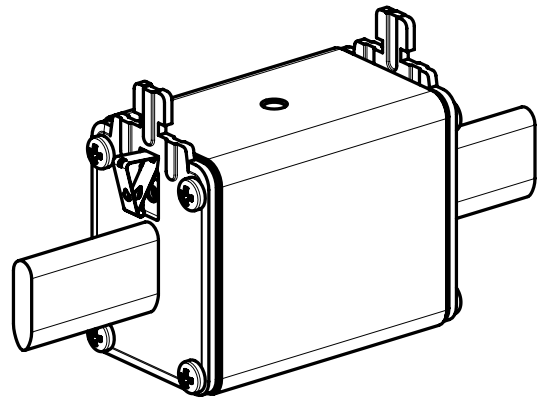
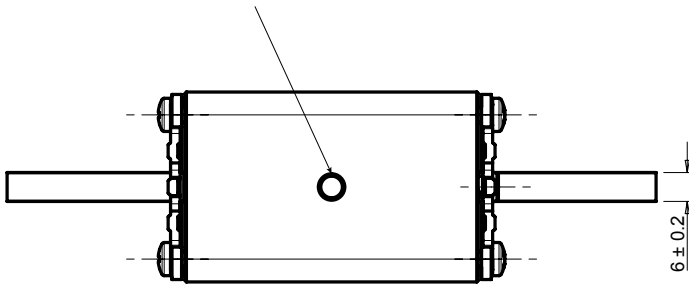
double indicator/live gripping-lugs size 000, 00, 0, 1, 2, 3

## DIMENSIONS

### Size 1 with double indicator (125-355A)



Visibility of red indicator signals conduction of the fuse-link.  
After operation the red indicator is no longer visible



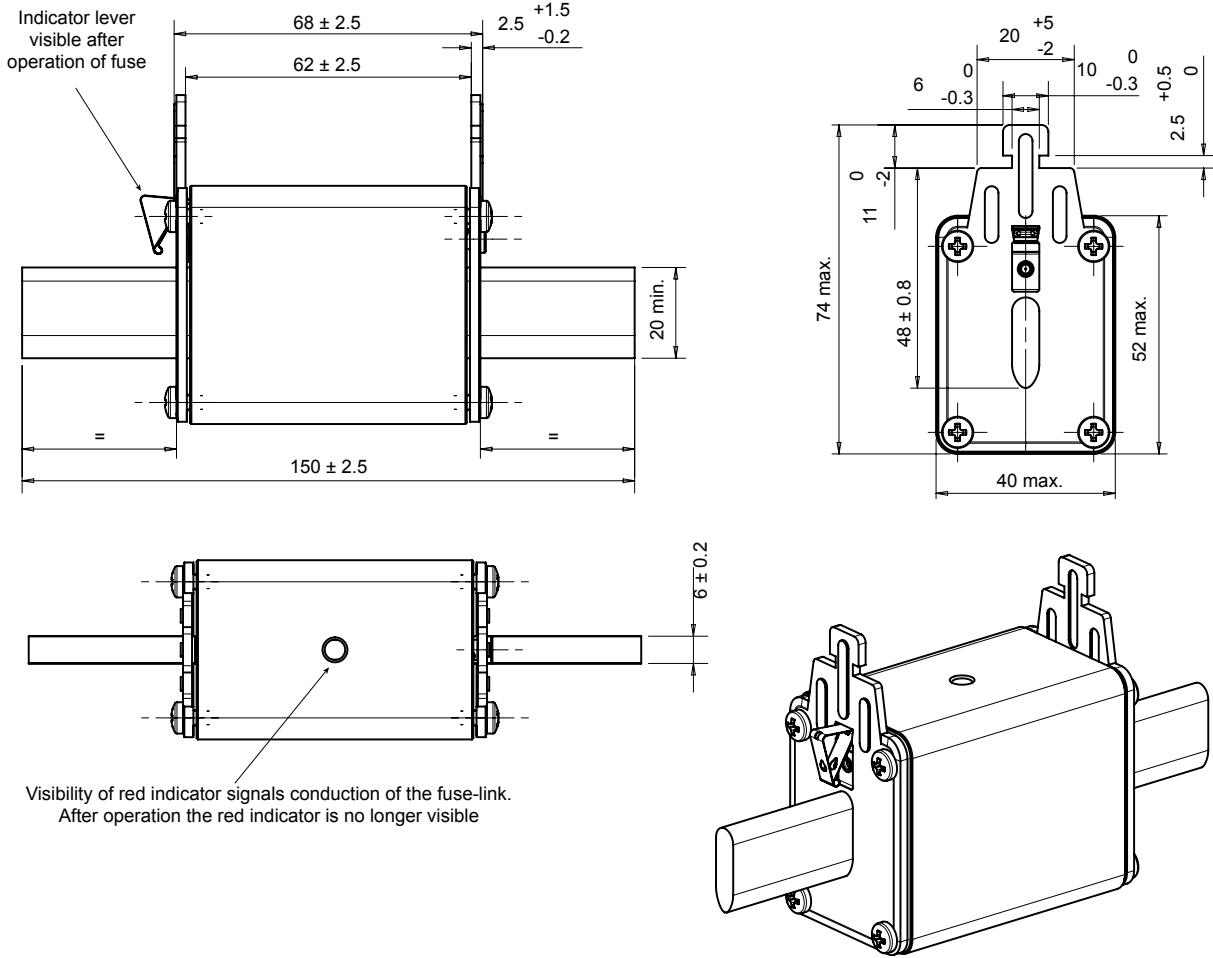
Dimensions in mm

# NH fuse-links gG 500VAC

double indicator/live gripping-lugs size 000, 00, 0, 1, 2, 3

## DIMENSIONS

### Size 2 compact with double indicator (25-250A)



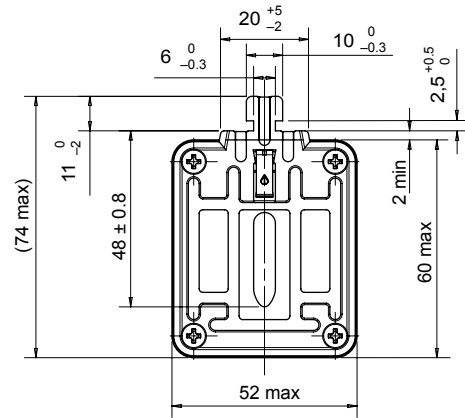
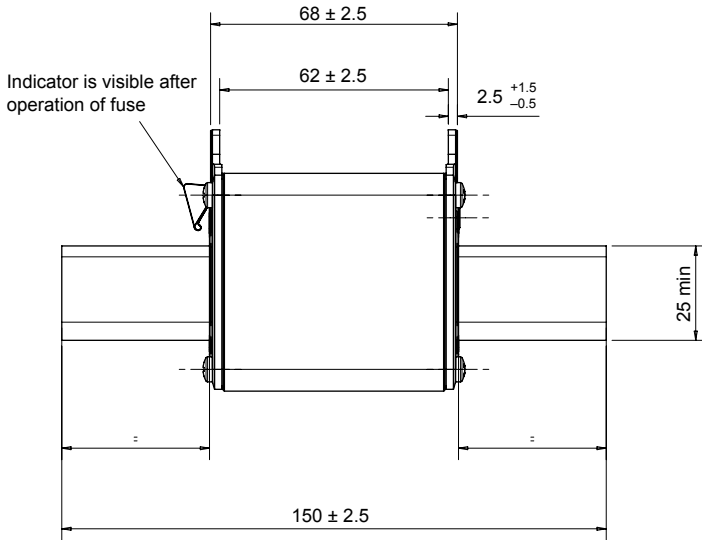
Dimensions in mm

# NH fuse-links gG 500VAC

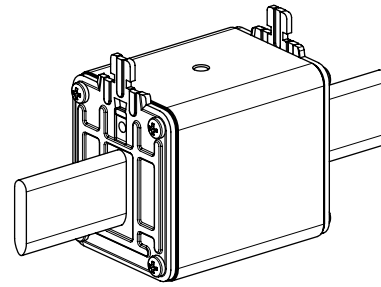
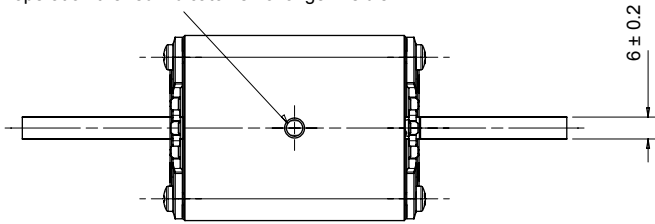
double indicator/live gripping-lugs size 000, 00, 0, 1, 2, 3

## DIMENSIONS

### Size 2 with double indicator (300-500A)



Visibility of red indicator signals conduction of the fuse-link. After operation the red indicator is no longer visible.



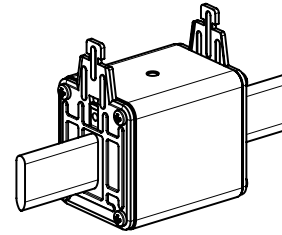
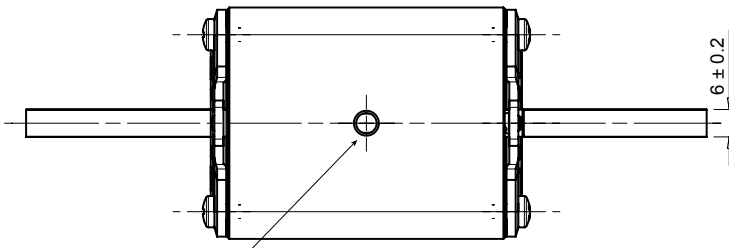
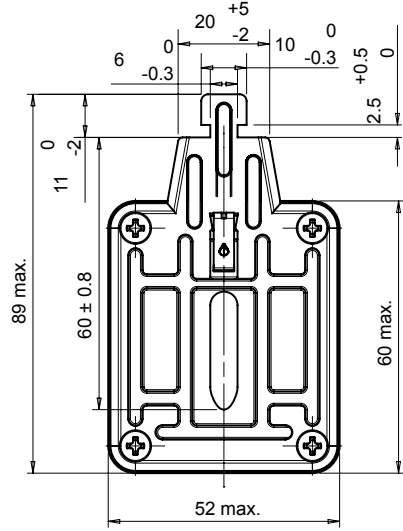
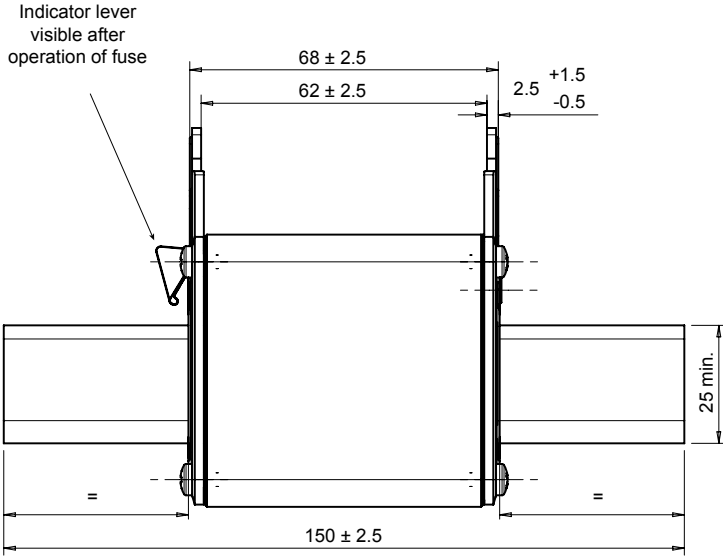
Dimensions in mm

# NH fuse-links gG 500VAC

double indicator/live gripping-lugs size 000, 00, 0, 1, 2, 3

## DIMENSIONS

### Size 3 compact with double indicator (63-400A)



Visibility of red indicator signals conduction of the fuse-link.  
After operation the red indicator is no longer visible

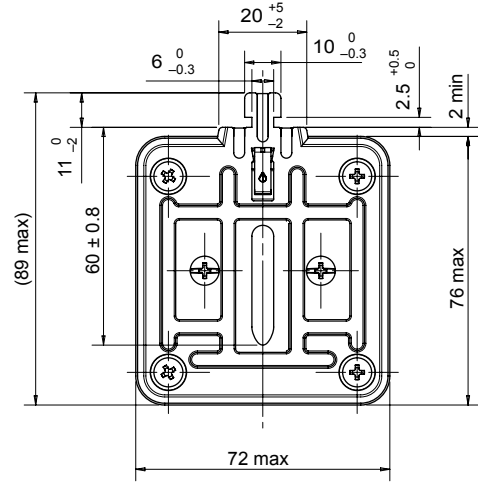
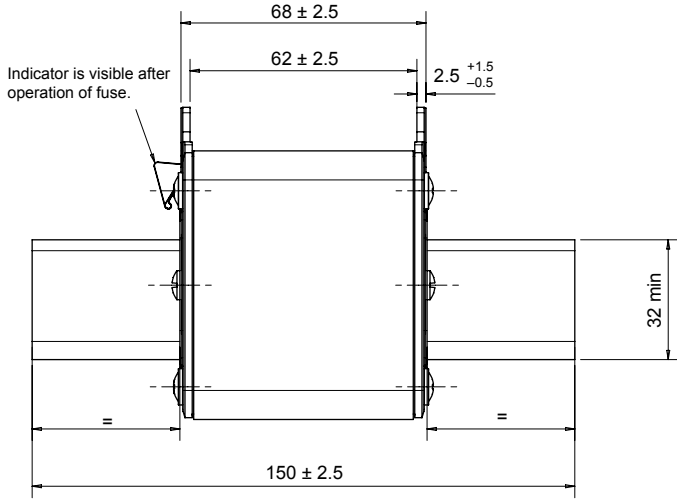
Dimensions in mm

# NH fuse-links gG 500VAC

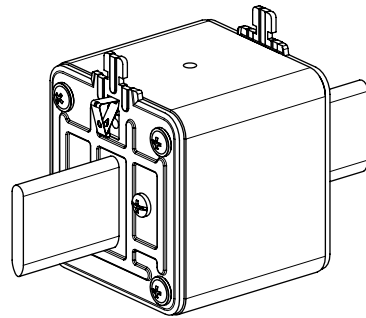
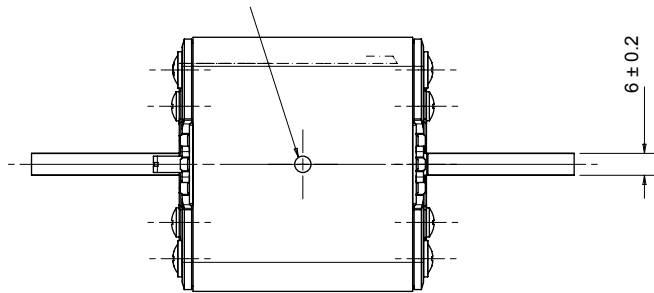
double indicator/live gripping-lugs size 000, 00, 0, 1, 2, 3

## DIMENSIONS

### Size 3 with double indicator (425-800A)



Visibility of red indicator signals conduction of the fuse-link.  
After operation the red indicator is no longer visible.



Dimensions in mm



# NH fuse-links gG 690VAC

double indicator/live gripping-lugs size 000, 00, 0, 1, 2, 3

## LOW VOLTAGE IEC FUSES

### IEC NH FUSE-LINKS



The NH system is classified among plug-in fuse systems and is composed of:

- fuse-base (possibly including terminal covers and phase barriers)
- fuse-link with blade contact
- fuse-link replacement device (LV HRC fuse puller)

Since the design of this system cannot guarantee non-interchangeability of rated current it must be handled by a qualified professional.

Type “gG” NH fuse-links are full range breaking capacity fuse-links and are used to protect cables and equipment. They can interrupt any current surge, from the lowest fusing current up to their breaking capacity, and so can be used alone as protection. They also protect electrical devices and industrial set-ups from the electrodynamic effects of very high short-circuit currents.

## TECHNICAL DATA OVERVIEW

Voltage AC	690 VAC
Voltage Range DC	250 ... 400 VDC
Ampere Range (A)	2 ... 500 A
Size per Standard	000, 00, 0, 1, 2, 3
Speed/Characteristic	gG
I.R. AC (IEC)	80 kA
I.R. DC (IEC)	80 kA
Body Material	ceramic
Contact Materials	copper, silver-plated

## FEATURES & BENEFITS

- Dimensions according to DIN 43 620 parts 1 to 4
- Non-isolated gripping lugs
- Double indicator
- 0% cadmium

## APPLICATIONS

- gG: general purpose cable and line protection

## STANDARDS

- VDE 0636 Part 201
- IEC 60269-1 and -2



# NH fuse-links gG 690VAC

double indicator/live gripping-lugs size 000, 00, 0, 1, 2, 3

## PRODUCT RANGE



NH000GG69V2

### Size 000 gG 690VAC

Catalog number	Item number	Rated voltage AC (IEC)	Rated voltage DC (IEC)	Rated current I <sub>n</sub>	Power dissipation at I <sub>n</sub>	Package	Weight
NH000GG69V2	E228440	690 V	250 V	2 A	1.9 W	3	0.13 kg
NH000GG69V4	F228441	690 V	250 V	4 A	1.5 W	3	0.13 kg
NH000GG69V6	G228442	690 V	250 V	6 A	1.6 W	3	0.13 kg
NH000GG69V10	J228444	690 V	250 V	10 A	1.1 W	3	0.13 kg
NH000GG69V16	K228445	690 V	250 V	16 A	1.8 W	3	0.13 kg
NH000GG69V20	L228446	690 V	250 V	20 A	2.3 W	3	0.13 kg
NH000GG69V25	M228447	690 V	250 V	25 A	2.4 W	3	0.13 kg
NH000GG69V32	N228448	690 V	250 V	32 A	3.1 W	3	0.13 kg
NH000GG69V35	P228449	690 V	250 V	35 A	3 W	3	0.13 kg
NH000GG69V40	Q228450	690 V	250 V	40 A	3.7 W	3	0.13 kg
NH000GG69V50	R228451	690 V	250 V	50 A	4.1 W	3	0.13 kg
NH000GG69V63	S228452	690 V	250 V	63 A	5.4 W	3	0.13 kg
NH000GG69V80	T228453	690 V	250 V	80 A	6.5 W	3	0.13 kg



NH00GG69V32

### Size 00 gG 690VAC

Catalog number	Item number	Rated voltage AC (IEC)	Rated voltage DC (IEC)	Rated current I <sub>n</sub>	Power dissipation at I <sub>n</sub>	Package	Weight
NH00GG69V32	V228454	690 V	250 V	32 A	3.1 W	3	0.2 kg
NH00GG69V35	W228455	690 V	250 V	35 A	3 W	3	0.2 kg
NH00GG69V40	X228456	690 V	250 V	40 A	3.7 W	3	0.2 kg
NH00GG69V50	Y228457	690 V	250 V	50 A	4.1 W	3	0.2 kg
NH00GG69V63	Z228458	690 V	250 V	63 A	5.6 W	3	0.2 kg
NH00GG69V80	A228459	690 V	250 V	80 A	6.8 W	3	0.2 kg
NH00GG69V100	B228460	690 V	250 V	100 A	7.5 W	3	0.2 kg
NH00GG69V125	C228461	690 V	250 V	125 A	10 W	3	0.2 kg



NH0GG69V160

### Size 0 gG 690VAC

Catalog number	Item number	Rated voltage AC (IEC)	Rated voltage DC (IEC)	Rated current I <sub>n</sub>	Power dissipation at I <sub>n</sub>	Package	Weight
NH0GG69V6	D228462	690 V	400 V	6 A	1.6 W	3	0.27 kg
NH0GG69V10	E228463	690 V	400 V	10 A	1.1 W	3	0.27 kg
NH0GG69V16	F228464	690 V	400 V	16 A	1.8 W	3	0.27 kg
NH0GG69V20	G228465	690 V	400 V	20 A	2.3 W	3	0.27 kg
NH0GG69V25	H228466	690 V	400 V	25 A	2.4 W	3	0.27 kg
NH0GG69V32	J228467	690 V	400 V	32 A	3.1 W	3	0.27 kg
NH0GG69V35	K228468	690 V	400 V	35 A	3 W	3	0.27 kg
NH0GG69V40	L228469	690 V	400 V	40 A	3.7 W	3	0.27 kg
NH0GG69V50	M228470	690 V	400 V	50 A	4.1 W	3	0.27 kg
NH0GG69V63	N228471	690 V	400 V	63 A	6.6 W	3	0.27 kg
NH0GG69V80	P228472	690 V	400 V	80 A	8 W	3	0.27 kg
NH0GG69V100	Q228473	690 V	400 V	100 A	9.4 W	3	0.27 kg
NH0GG69V125	R228474	690 V	400 V	125 A	11.8 W	3	0.27 kg
NH0GG69V160	S228475	690 V	400 V	160 A	14.6 W	3	0.27 kg

# NH fuse-links gG 690VAC

double indicator/live gripping-lugs size 000, 00, 0, 1, 2, 3

## PRODUCT RANGE



NH1GG69V20

### Size 1 gG 690VAC

Catalog number	Item number	Rated voltage AC (IEC)	Rated voltage DC (IEC)	Rated current I <sub>n</sub>	Power dissipation at I <sub>n</sub>	Width	Package	Weight
NH1GG69V16	T228476	690 V	400 V	16 A	1.8 W	29.5 mm	3	0.27 kg
NH1GG69V20	V228477	690 V	400 V	20 A	2.3 W	29.5 mm	3	0.27 kg
NH1GG69V25	W228478	690 V	400 V	25 A	2.4 W	29.5 mm	3	0.27 kg
NH1GG69V32	X228479	690 V	400 V	32 A	3.1 W	29.5 mm	3	0.27 kg
NH1GG69V35	Y228480	690 V	400 V	35 A	3 W	29.5 mm	3	0.27 kg
NH1GG69V40	Z228481	690 V	400 V	40 A	3.7 W	29.5 mm	3	0.27 kg
NH1GG69V50	A228482	690 V	400 V	50 A	4.1 W	29.5 mm	3	0.27 kg
NH1GG69V63	B228483	690 V	400 V	63 A	6.6 W	29.5 mm	3	0.27 kg
NH1GG69V80	C228484	690 V	400 V	80 A	8 W	29.5 mm	3	0.27 kg
NH1GG69V100	D228485	690 V	400 V	100 A	9.4 W	29.5 mm	3	0.27 kg
NH1GG69V125	E228486	690 V	400 V	125 A	11.8 W	39.5 mm	3	0.42 kg
NH1GG69V160	F228487	690 V	400 V	160 A	14.6 W	39.5 mm	3	0.42 kg
NH1GG69V200	G228488	690 V	400 V	200 A	18 W	39.5 mm	3	0.42 kg
NH1GG69V224	V233261	690 V	400 V	224 A	19 W	39.5 mm	3	0.42 kg
NH1GG69V250	W233262	690 V	400 V	250 A	20 W	39.5 mm	3	0.42 kg



NH2GG69V32

### Size 2 gG 690VAC

Catalog number	Item number	Rated voltage AC (IEC)	Rated voltage DC (IEC)	Rated current I <sub>n</sub>	Power dissipation at I <sub>n</sub>	Width	Package	Weight
NH2GG69V32	H228489	690 V	250 V	32 A	3.1 W	39.5 mm	3	0.42 kg
NH2GG69V35	J228490	690 V	250 V	35 A	3 W	39.5 mm	3	0.42 kg
NH2GG69V40	K228491	690 V	250 V	40 A	3.7 W	39.5 mm	3	0.42 kg
NH2GG69V50	L228492	690 V	250 V	50 A	4.1 W	39.5 mm	3	0.42 kg
NH2GG69V63	M228493	690 V	250 V	63 A	6.8 W	39.5 mm	3	0.42 kg
NH2GG69V80	N228494	690 V	250 V	80 A	8.3 W	39.5 mm	3	0.42 kg
NH2GG69V100	P228495	690 V	250 V	100 A	10.7 W	39.5 mm	3	0.42 kg
NH2GG69V125	Q228496	690 V	250 V	125 A	12.2 W	39.5 mm	3	0.42 kg
NH2GG69V160	R228497	690 V	250 V	160 A	15 W	39.5 mm	3	0.42 kg
NH2GG69V200	S228498	690 V	250 V	200 A	18.5 W	39.5 mm	3	0.42 kg
NH2GG69V224	T228499	690 V	250 V	224 A	19.2 W	39.5 mm	3	0.42 kg
NH2GG69V250	V228500	690 V	250 V	250 A	20.6 W	39.5 mm	3	0.42 kg
NH2GG69V300	W228501	690 V	250 V	300 A	21 W	51 mm	3	0.64 kg
NH2GG69V315	X228502	690 V	250 V	315 A	25 W	51 mm	3	0.64 kg
NH2GG69V355	Y228503	690 V	250 V	355 A	31.5 W	51 mm	3	0.64 kg



NH3GG69V500

### Size 3 gG 690VAC

Catalog number	Item number	Rated voltage AC (IEC)	Rated voltage DC (IEC)	Rated current I <sub>n</sub>	Power dissipation at I <sub>n</sub>	Width	Package	Weight
NH3GG69V250	Z228504	690 V	250 V	250 A	21.1 W	51 mm	1	0.65 kg
NH3GG69V300	A228505	690 V	250 V	300 A	22.6 W	51 mm	1	0.65 kg
NH3GG69V315	B228506	690 V	250 V	315 A	25 W	51 mm	1	0.65 kg
NH3GG69V355	C228507	690 V	250 V	355 A	32 W	51 mm	1	0.65 kg
NH3GG69V400	D228508	690 V	250 V	400 A	34 W	70 mm	1	1.05 kg
NH3GG69V425	E228509	690 V	250 V	425 A	34 W	70 mm	1	1.05 kg
NH3GG69V500	F228510	690 V	250 V	500 A	43 W	70 mm	1	1.05 kg

# NH fuse-links gG 690VAC

double indicator/live gripping-lugs size 000, 00, 0, 1, 2, 3

## TECHNICAL DATA

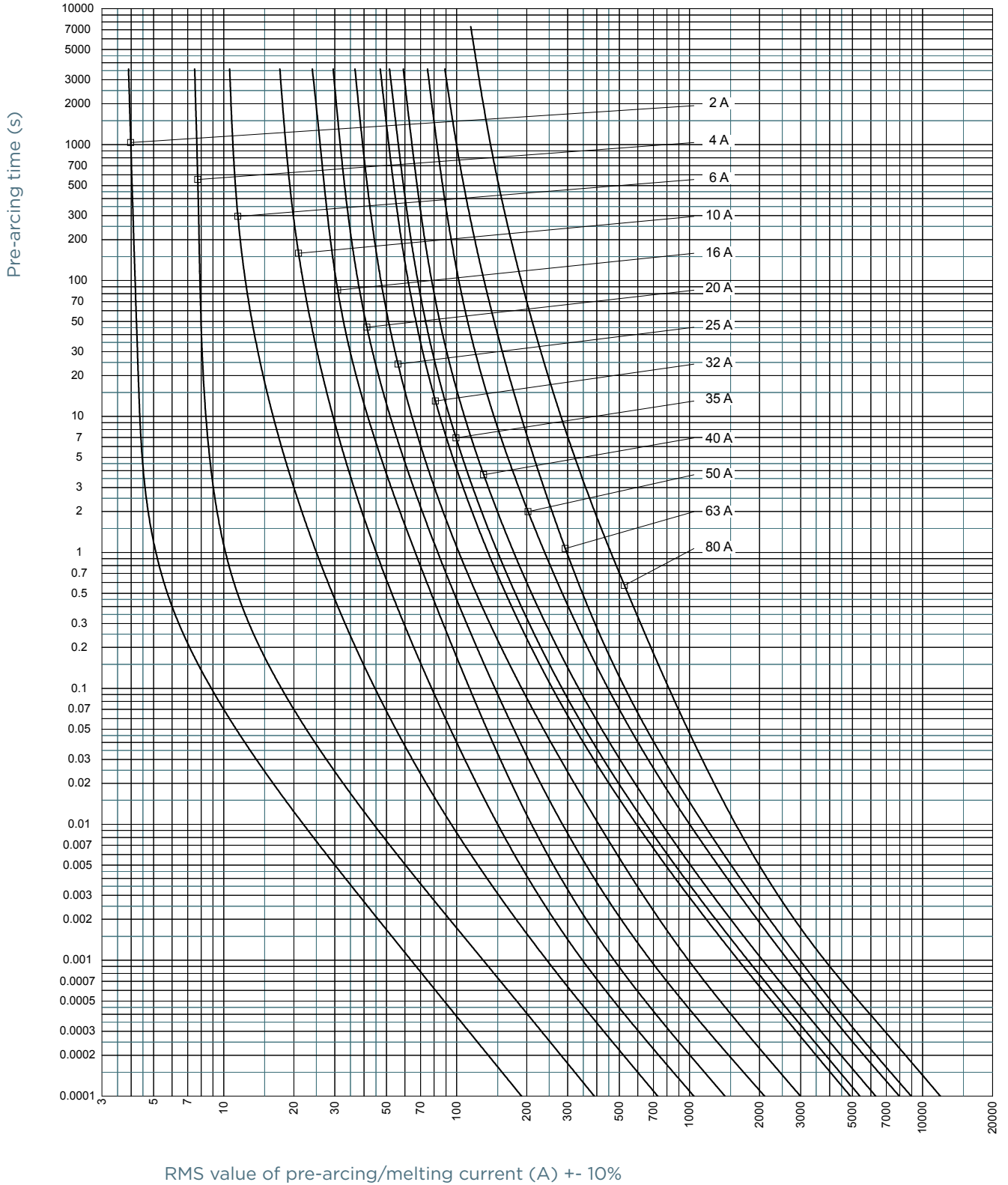
	Size 000	Size 00	Size 0	Size 1	Size 2	Size 3
Size	000	00	0	1	2	3
Rated current	2 ... 80 A	32 ... 125 A	6 ... 160 A	16 ... 250 A	32 ... 335 A	250 ... 500 A
Rated breaking capacity AC	80 kA	80 kA	80 kA	80 kA	80 kA	80 kA
Rated voltage AC	690 V	690 V	690 V	690 V	690 V	690 V
Rated voltage DC	250 V	250 V	400 V	400 V	250 V	250 V
Indication System	double indicator	double indicator	double indicator	double indicator	double indicator	double indicator
Width	21 mm	30 mm	30 mm	40 mm	52 mm	72 mm

# NH fuse-links gG 690VAC

double indicator/live gripping-lugs size 000, 00, 0, 1, 2, 3

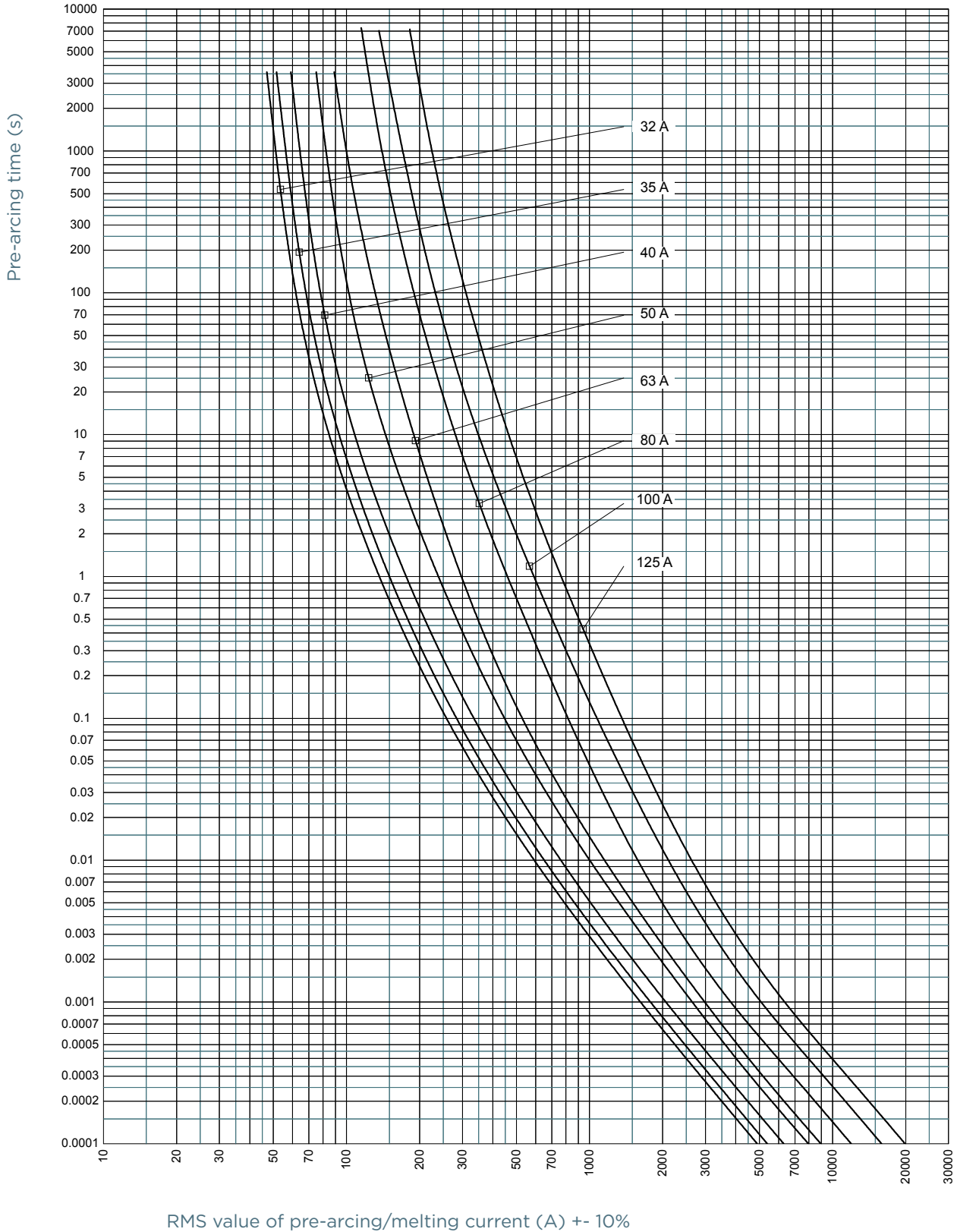
## TIME CURRENT CHARACTERISTIC CURVES

Size 000



## TIME CURRENT CHARACTERISTIC CURVES

Size 00

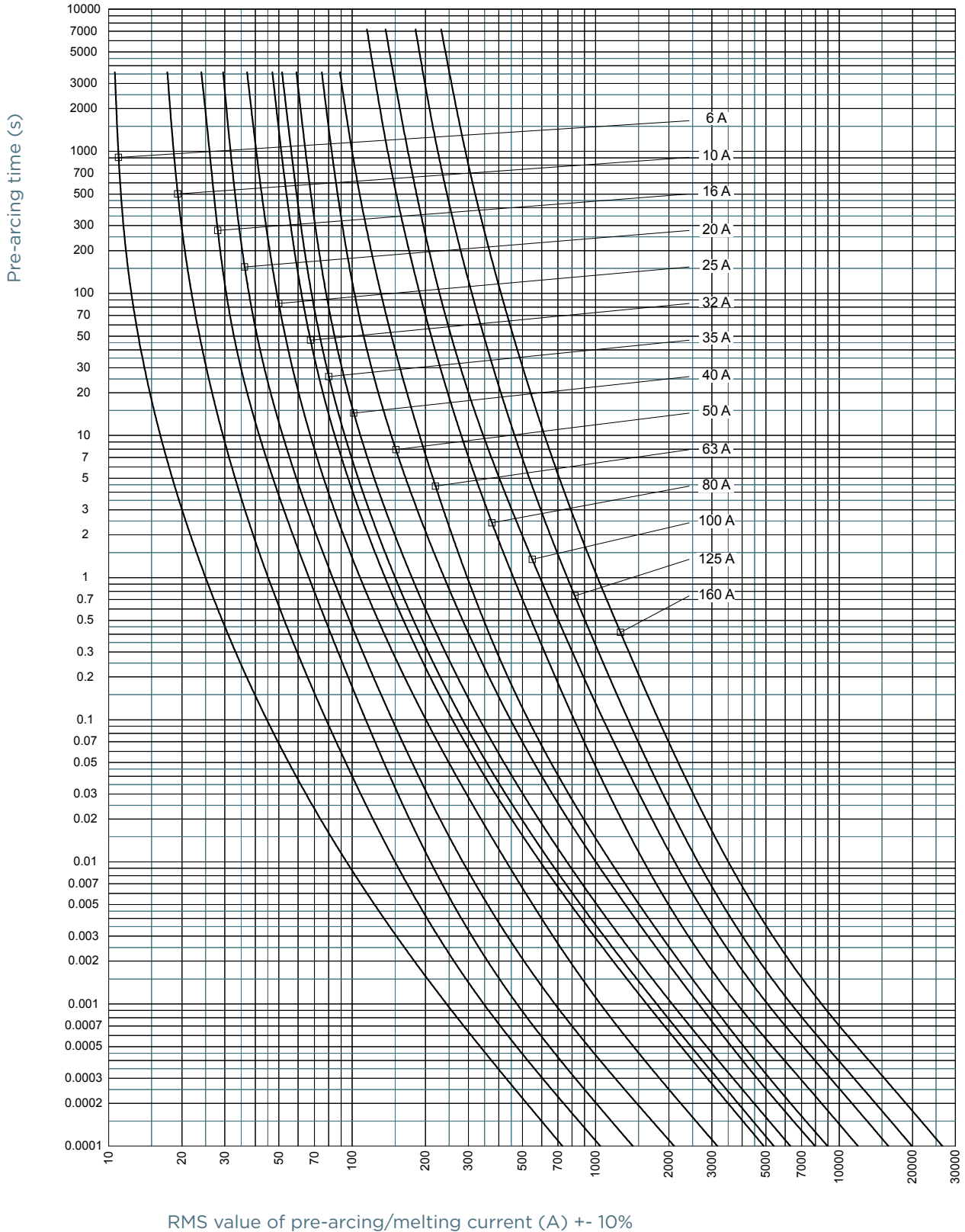


# NH fuse-links gG 690VAC

double indicator/live gripping-lugs size 000, 00, 0, 1, 2, 3

## TIME CURRENT CHARACTERISTIC CURVES

Size 0



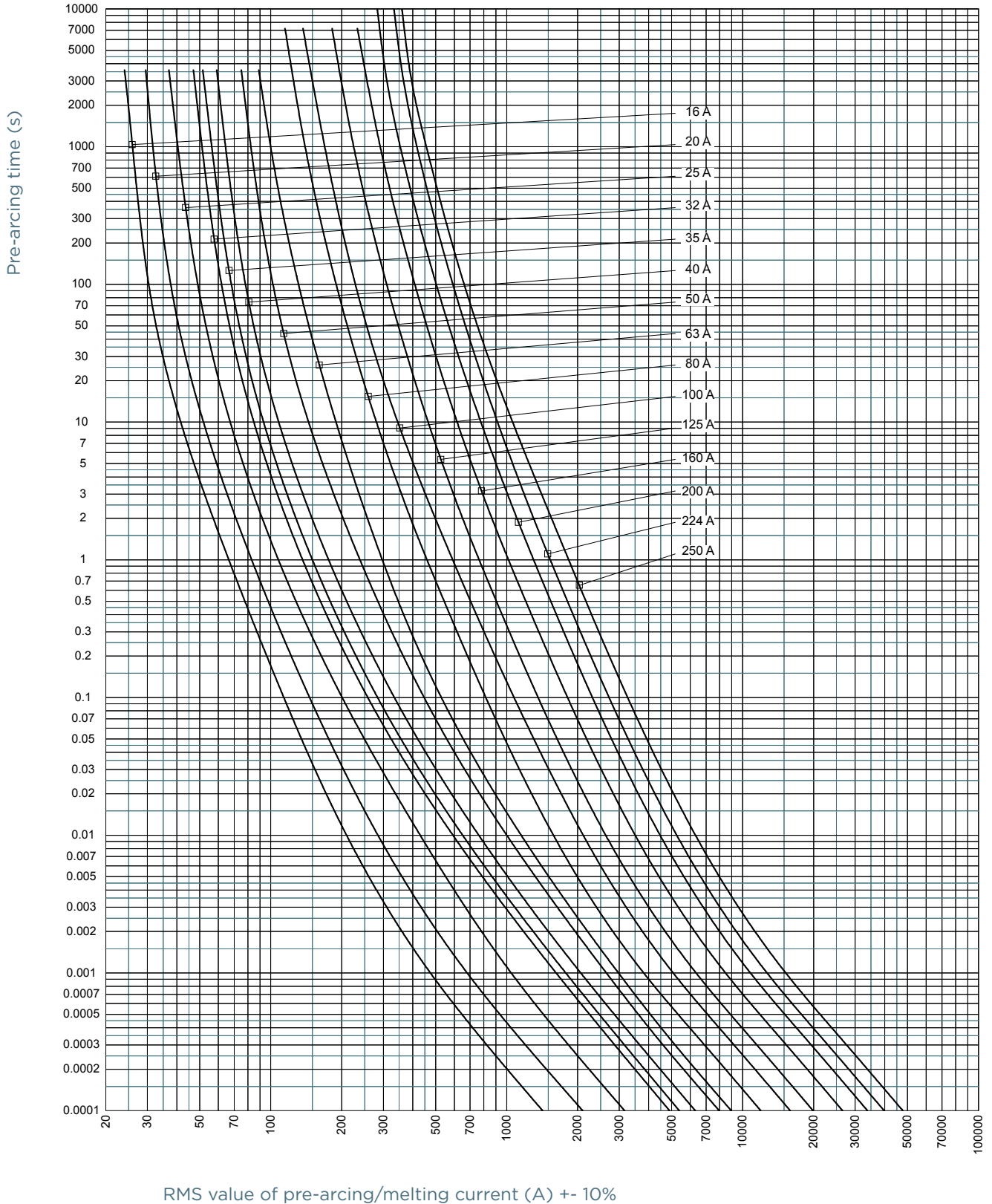


# NH fuse-links gG 690VAC

double indicator/live gripping-lugs size 000, 00, 0, 1, 2, 3

## TIME CURRENT CHARACTERISTIC CURVES

Size 1



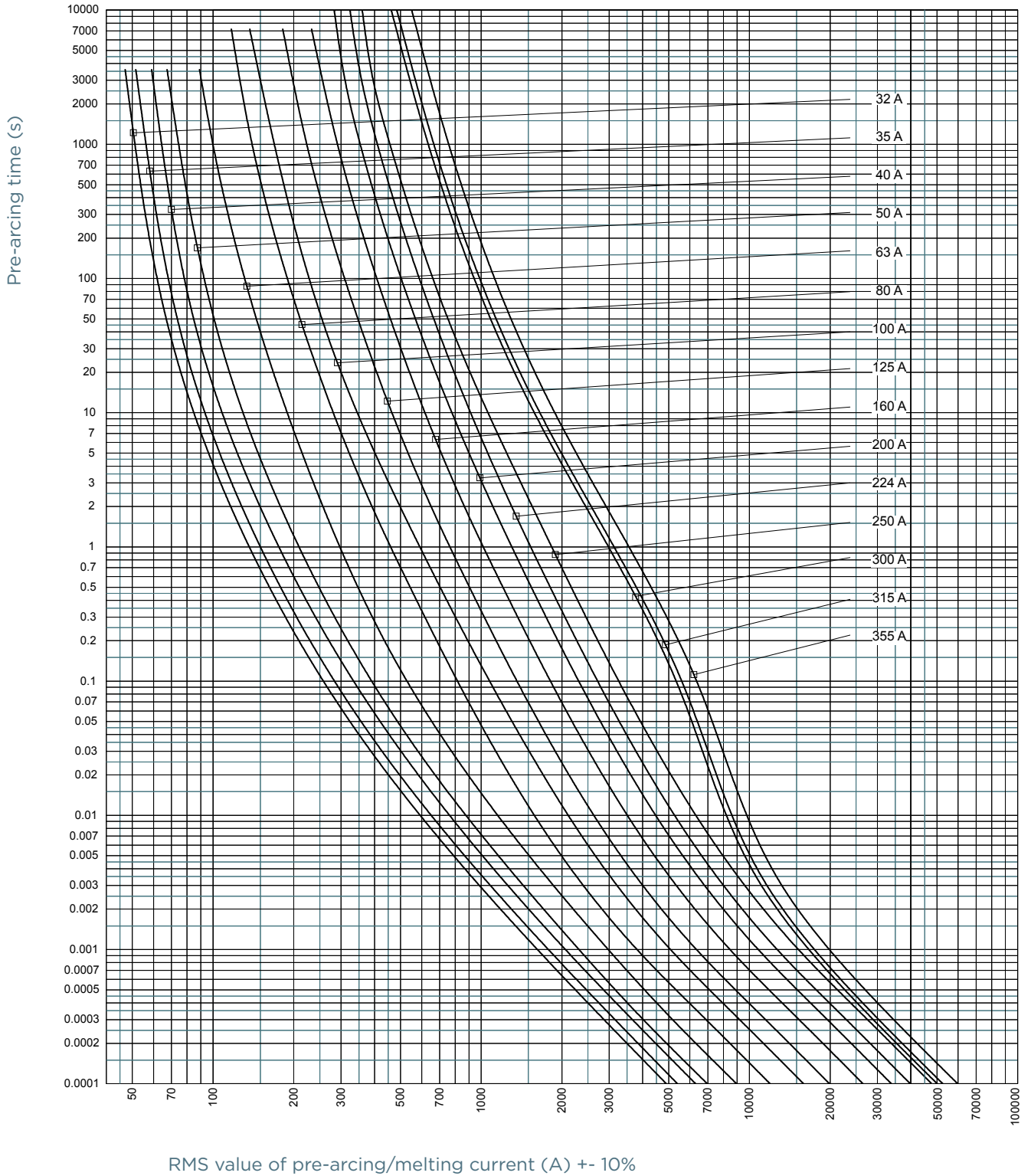


# NH fuse-links gG 690VAC

double indicator/live gripping-lugs size 000, 00, 0, 1, 2, 3

## TIME CURRENT CHARACTERISTIC CURVES

Size 2

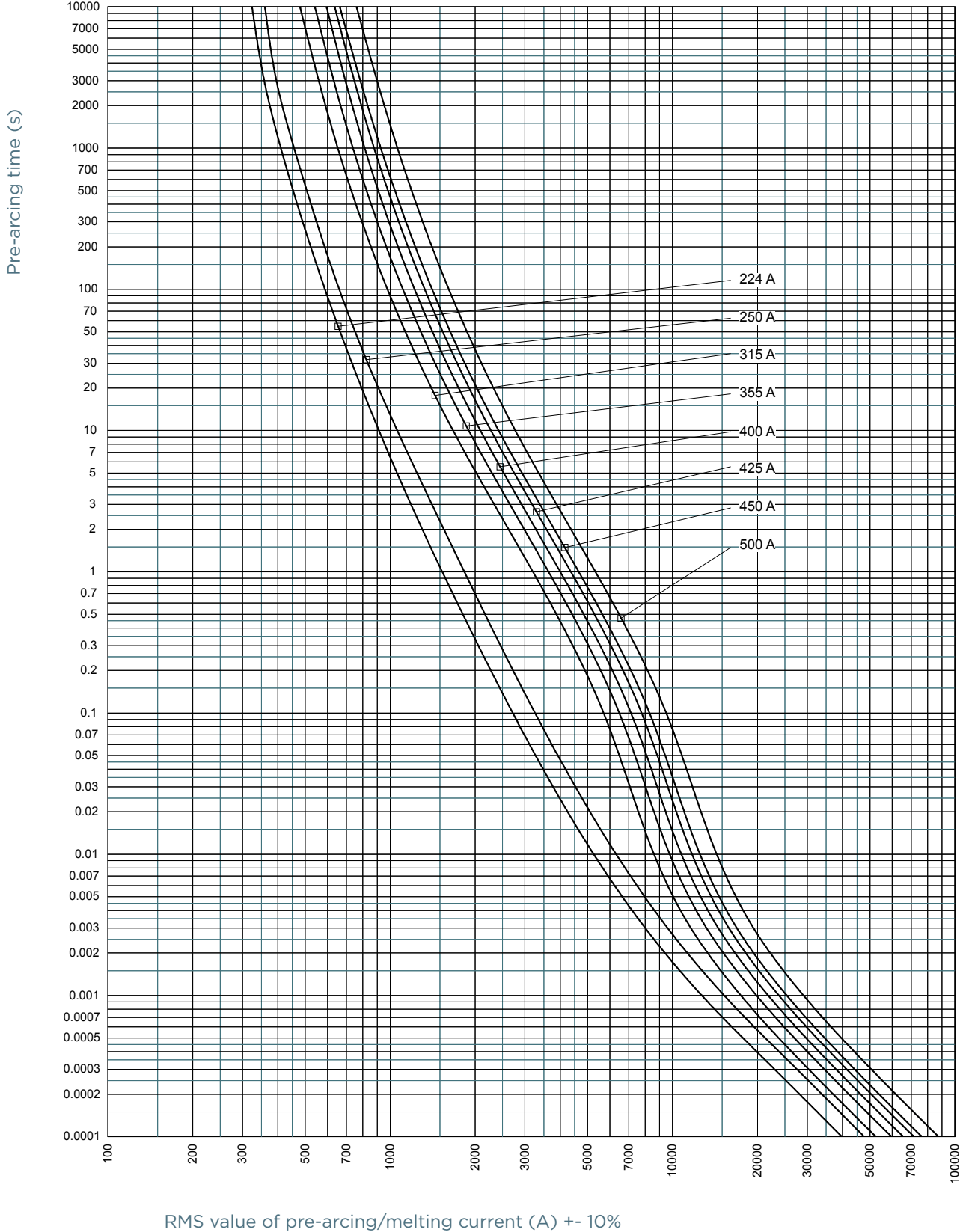


# NH fuse-links gG 690VAC

double indicator/live gripping-lugs size 000, 00, 0, 1, 2, 3

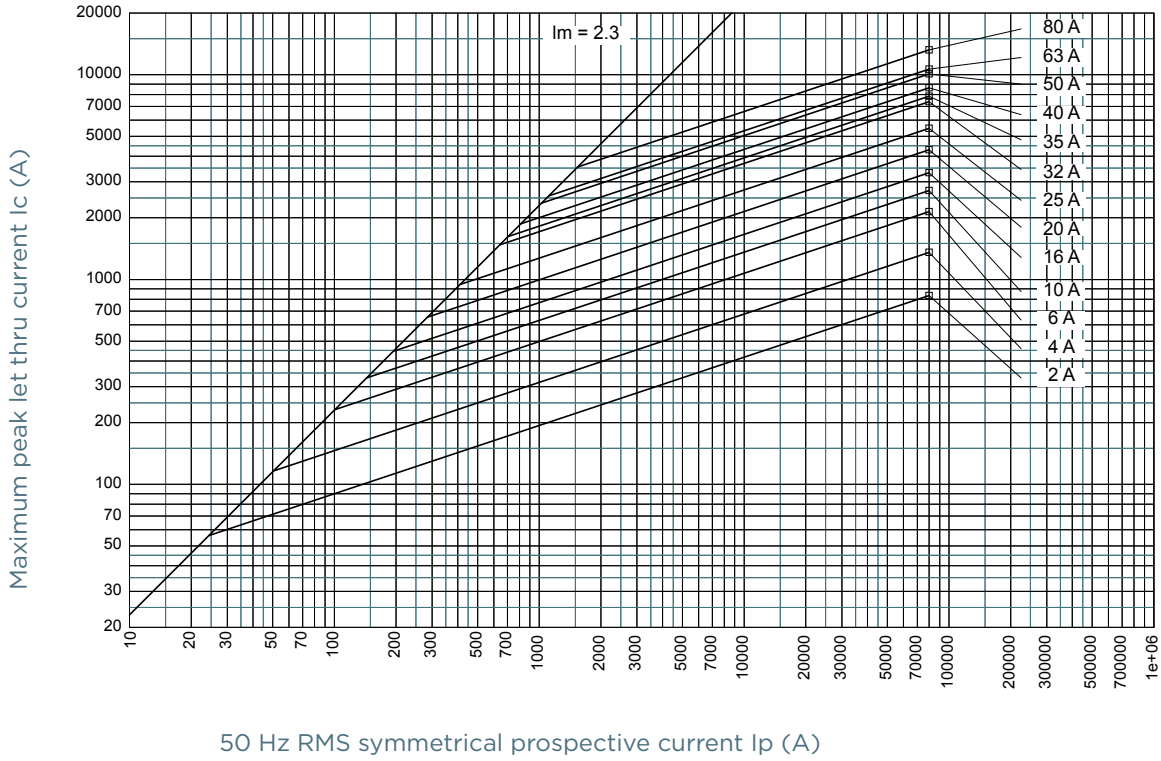
## TIME CURRENT CHARACTERISTIC CURVES

Size 3

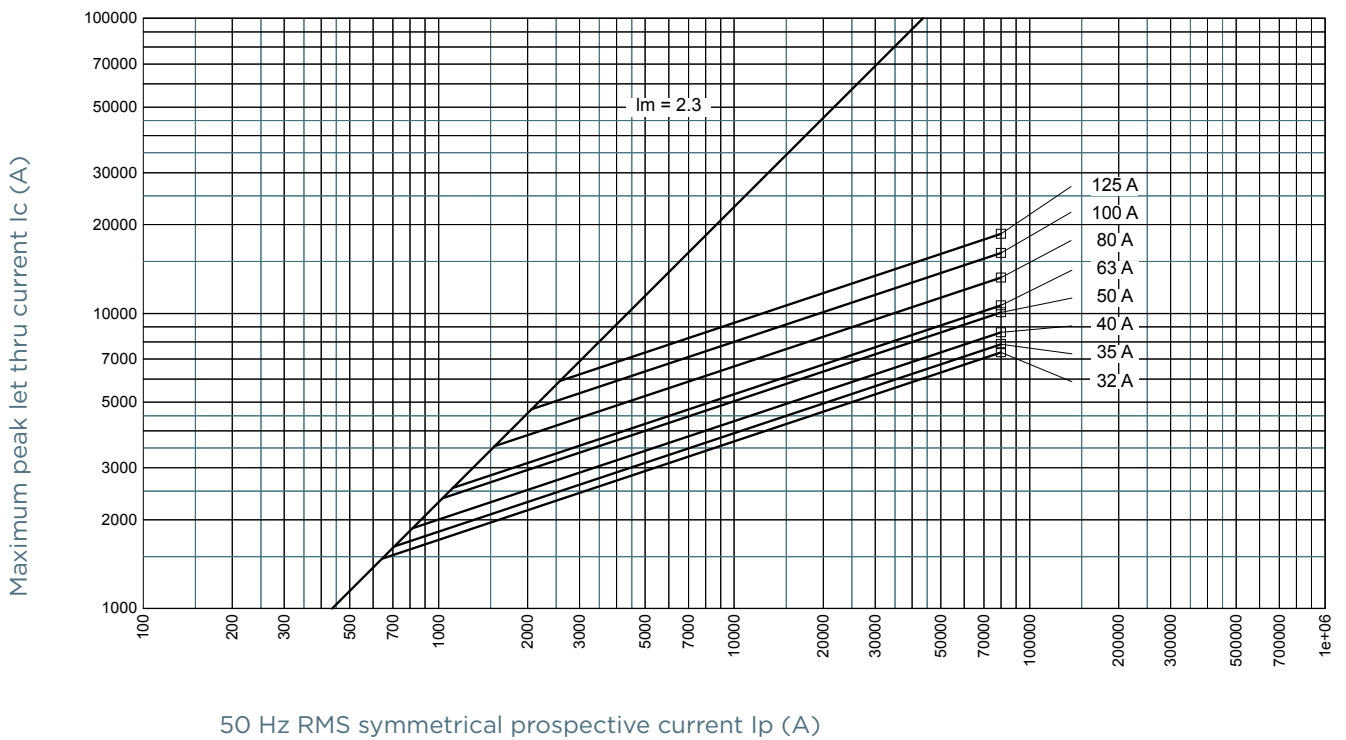


## CUT-OFF CURRENT CHARACTERISTIC

### Size 000



### Size 00

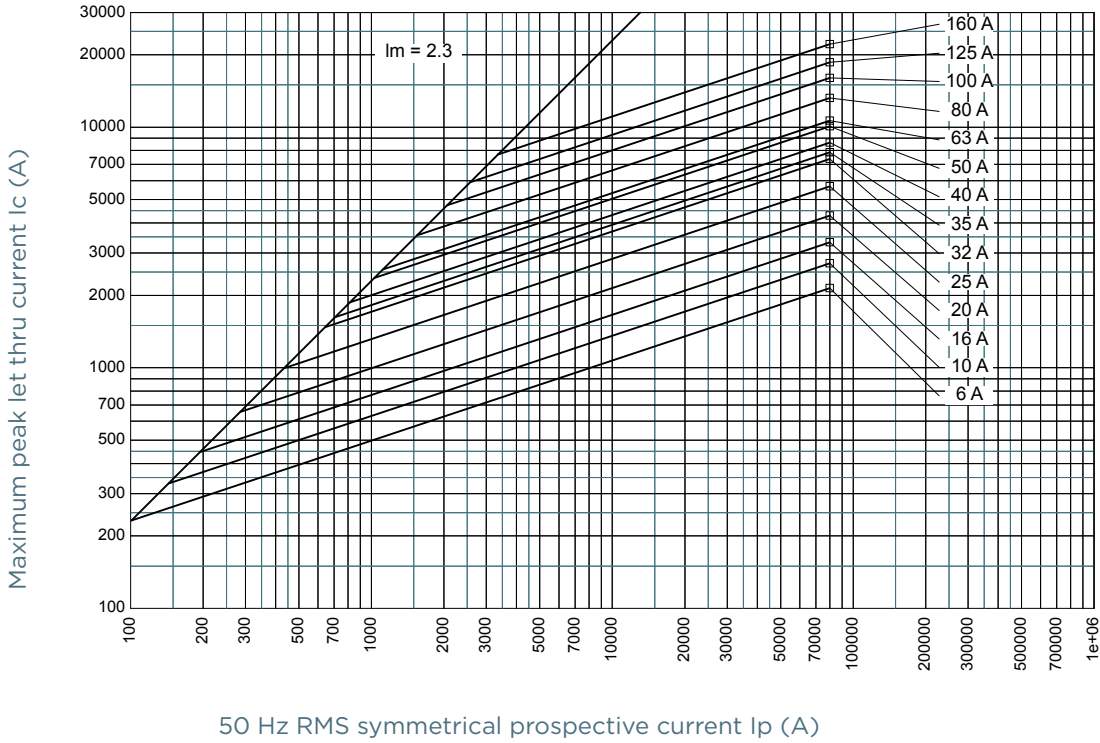


# NH fuse-links gG 690VAC

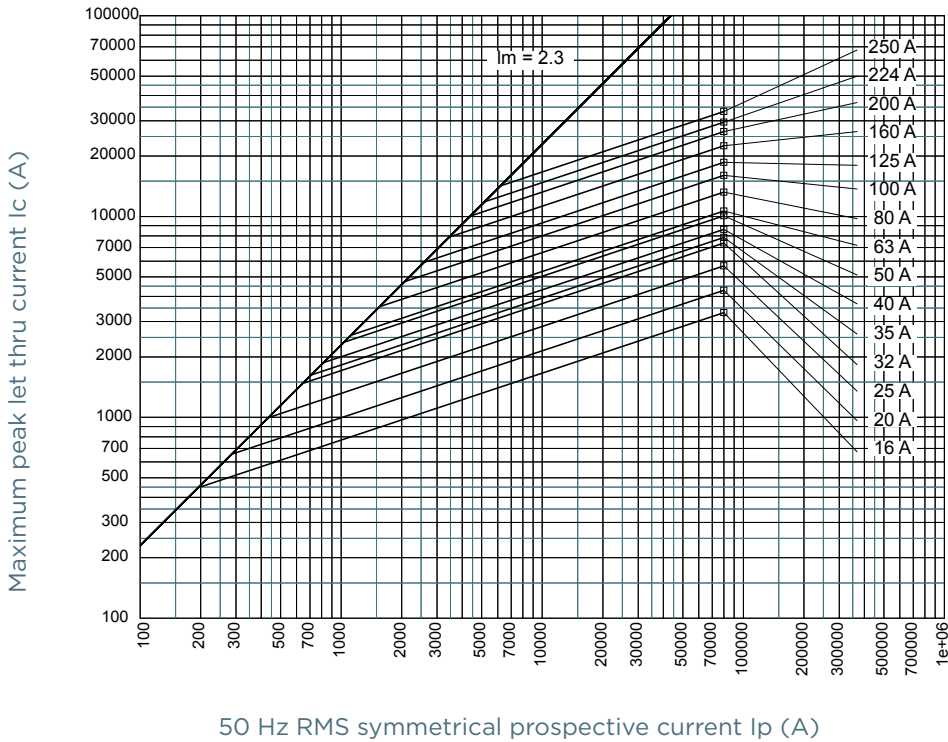
double indicator/live gripping-lugs size 000, 00, 0, 1, 2, 3

## CUT-OFF CURRENT CHARACTERISTIC

### Size 0



### Size 1

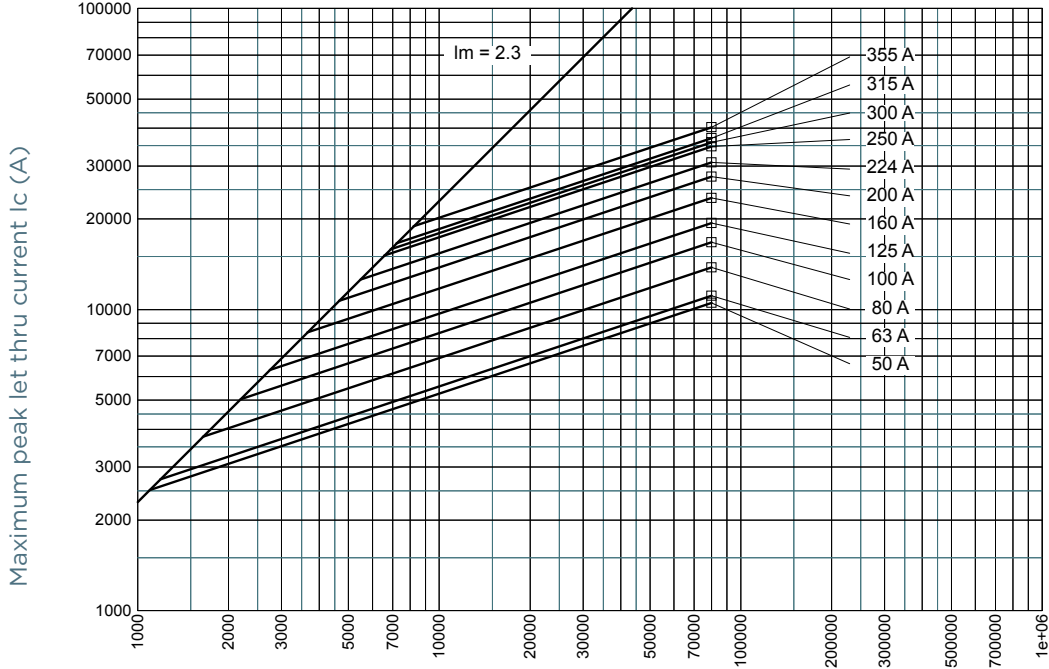


# NH fuse-links gG 690VAC

double indicator/live gripping-lugs size 000, 00, 0, 1, 2, 3

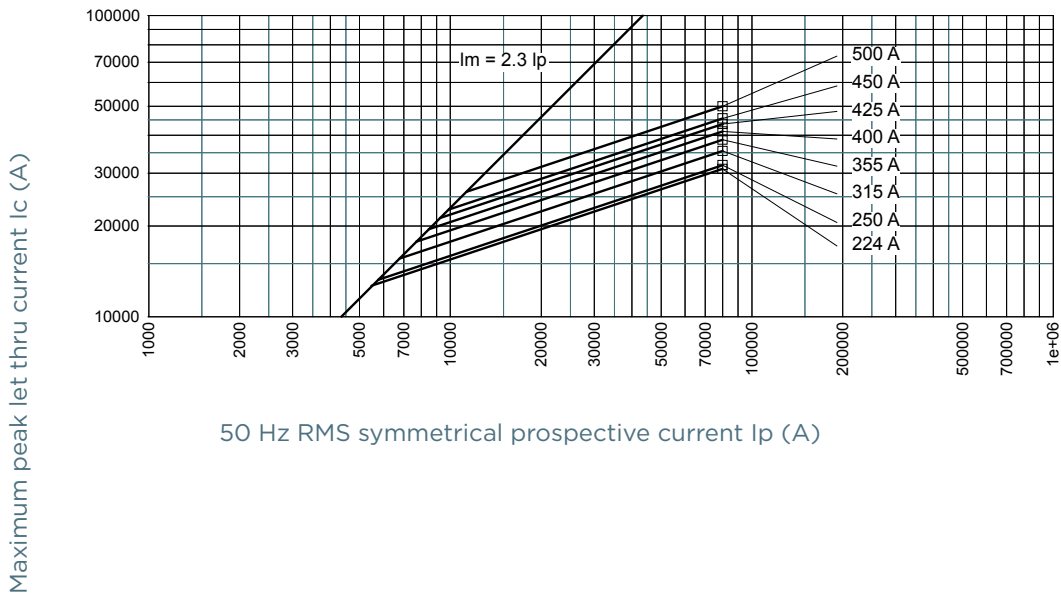
## CUT-OFF CURRENT CHARACTERISTIC

### Size 2



50 Hz RMS symmetrical prospective current  $I_p$  (A)

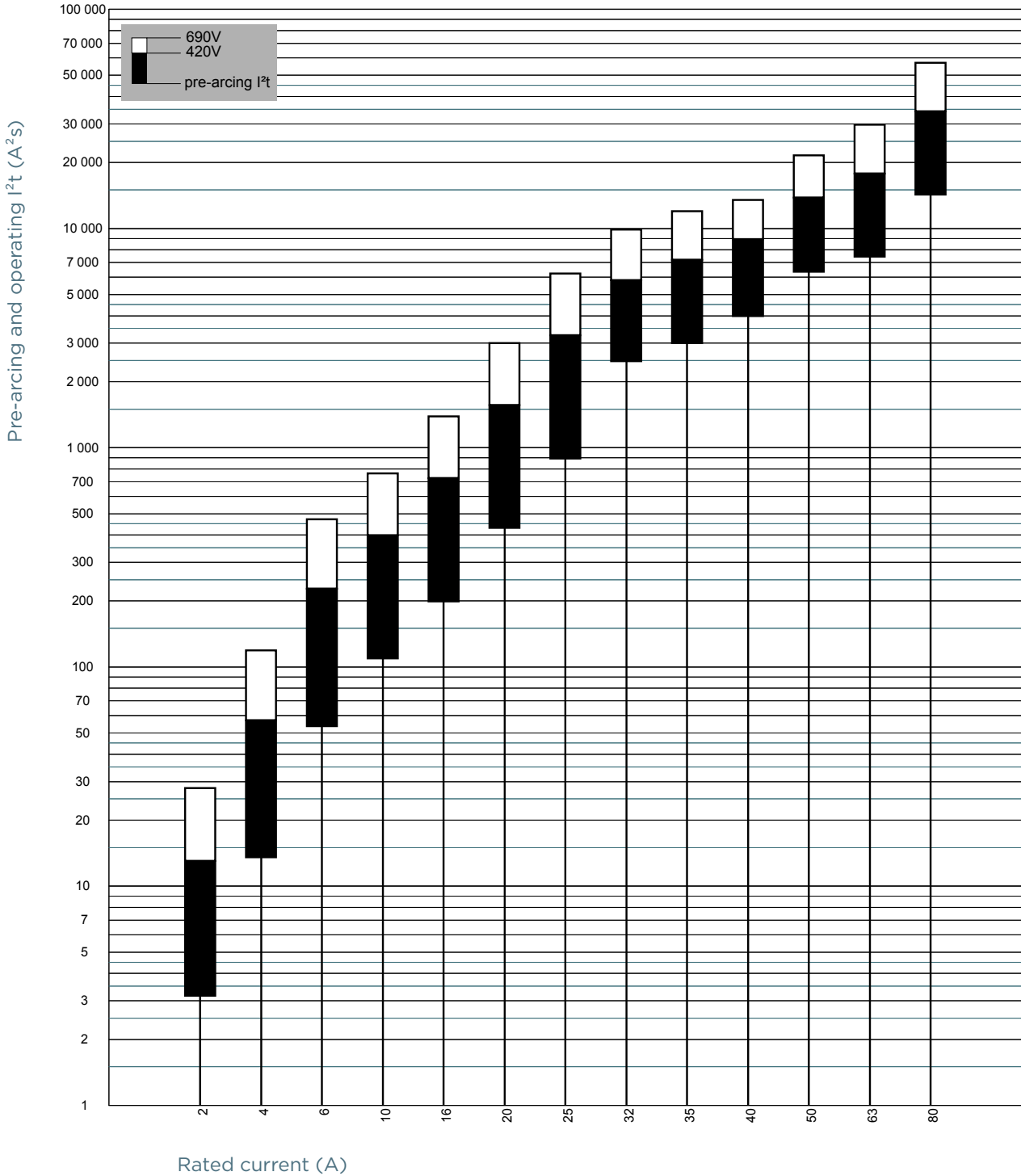
### Size 3



50 Hz RMS symmetrical prospective current  $I_p$  (A)

## PRE-ARCING AND OPERATING I<sup>2</sup>t CHARACTERISTICS

Size 000

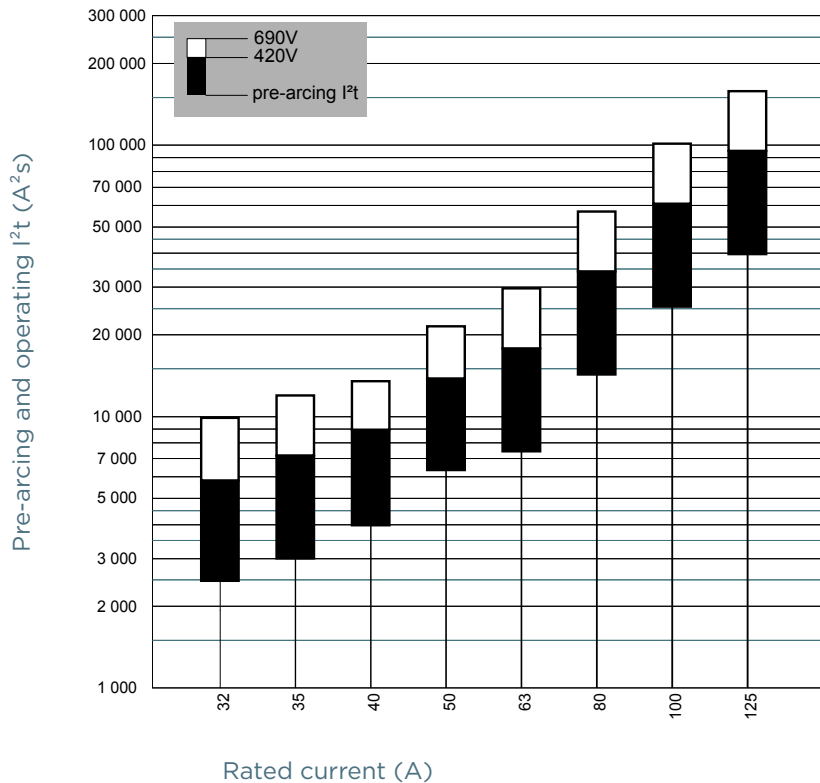


# NH fuse-links gG 690VAC

double indicator/live gripping-lugs size 000, 00, 0, 1, 2, 3

## PRE-ARCING AND OPERATING I<sup>2</sup>t CHARACTERISTICS

Size 00

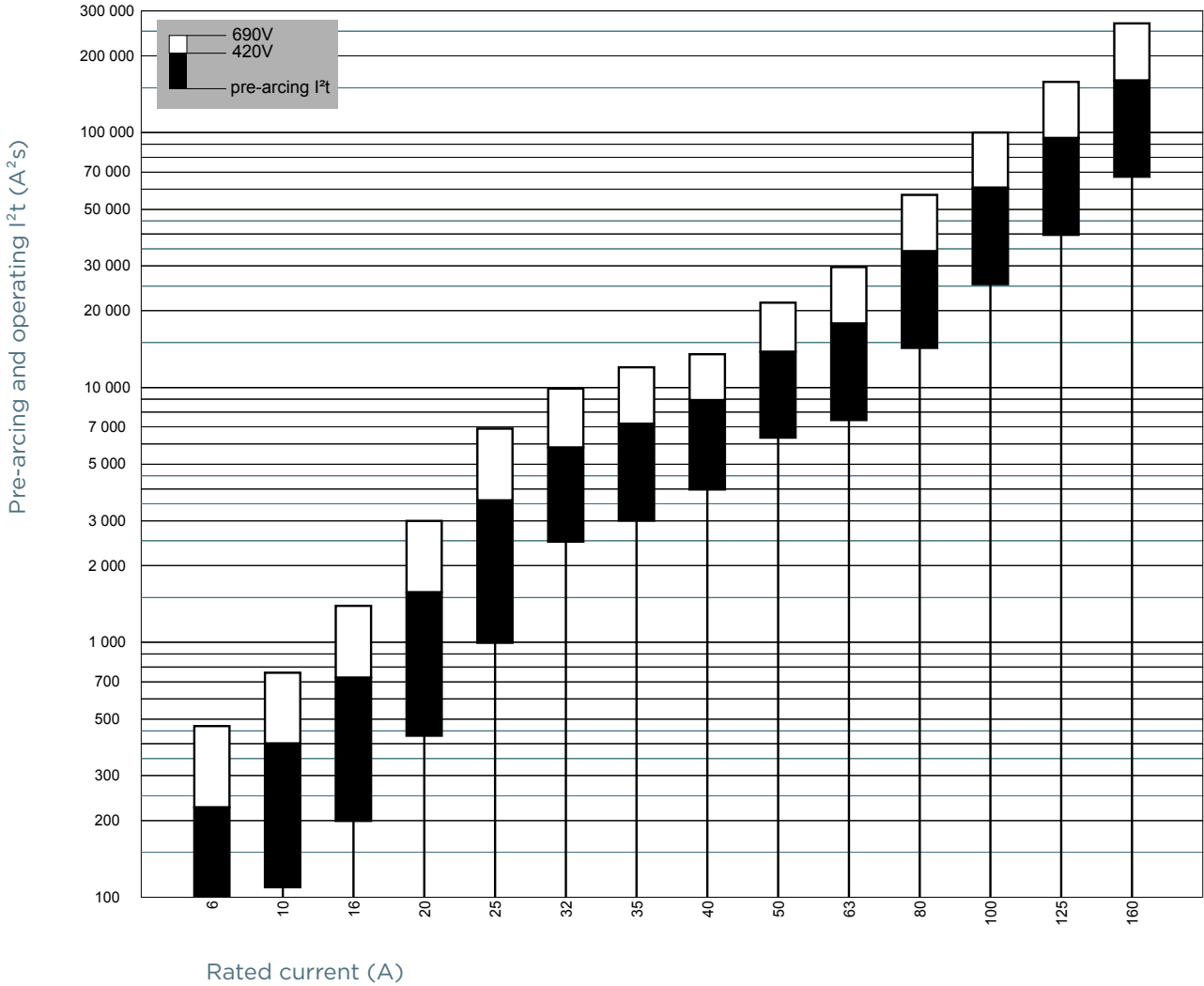


# NH fuse-links gG 690VAC

double indicator/live gripping-lugs size 000, 00, 0, 1, 2, 3

## PRE-ARCING AND OPERATING I<sup>2</sup>t CHARACTERISTICS

Size 0



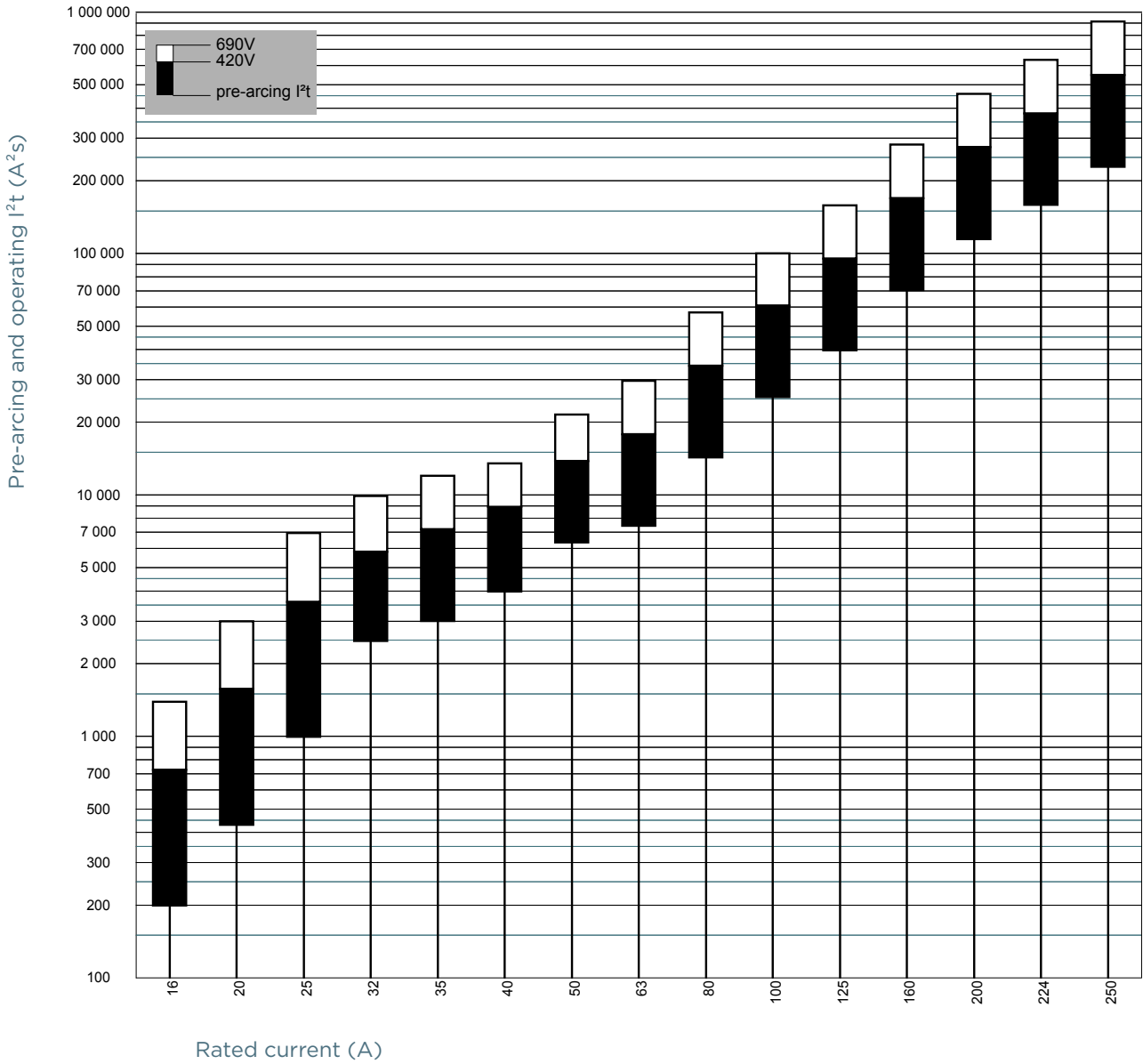


# NH fuse-links gG 690VAC

double indicator/live gripping-lugs size 000, 00, 0, 1, 2, 3

## PRE-ARCING AND OPERATING I<sup>2</sup>t CHARACTERISTICS

Size 1

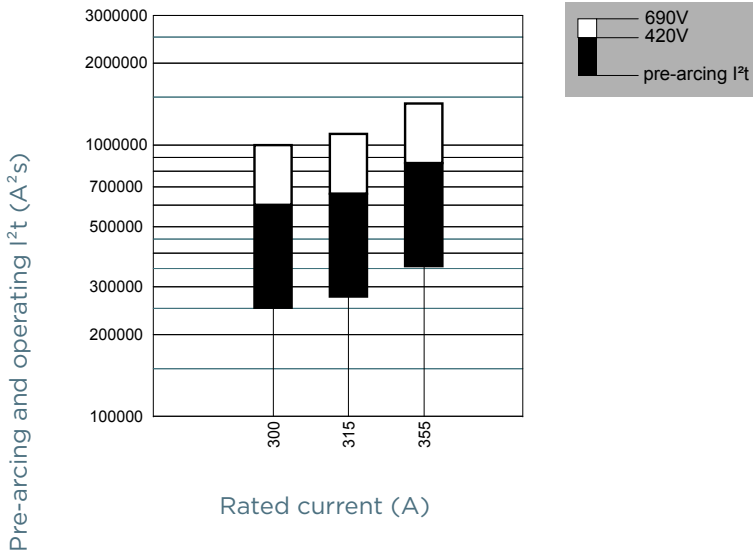


# NH fuse-links gG 690VAC

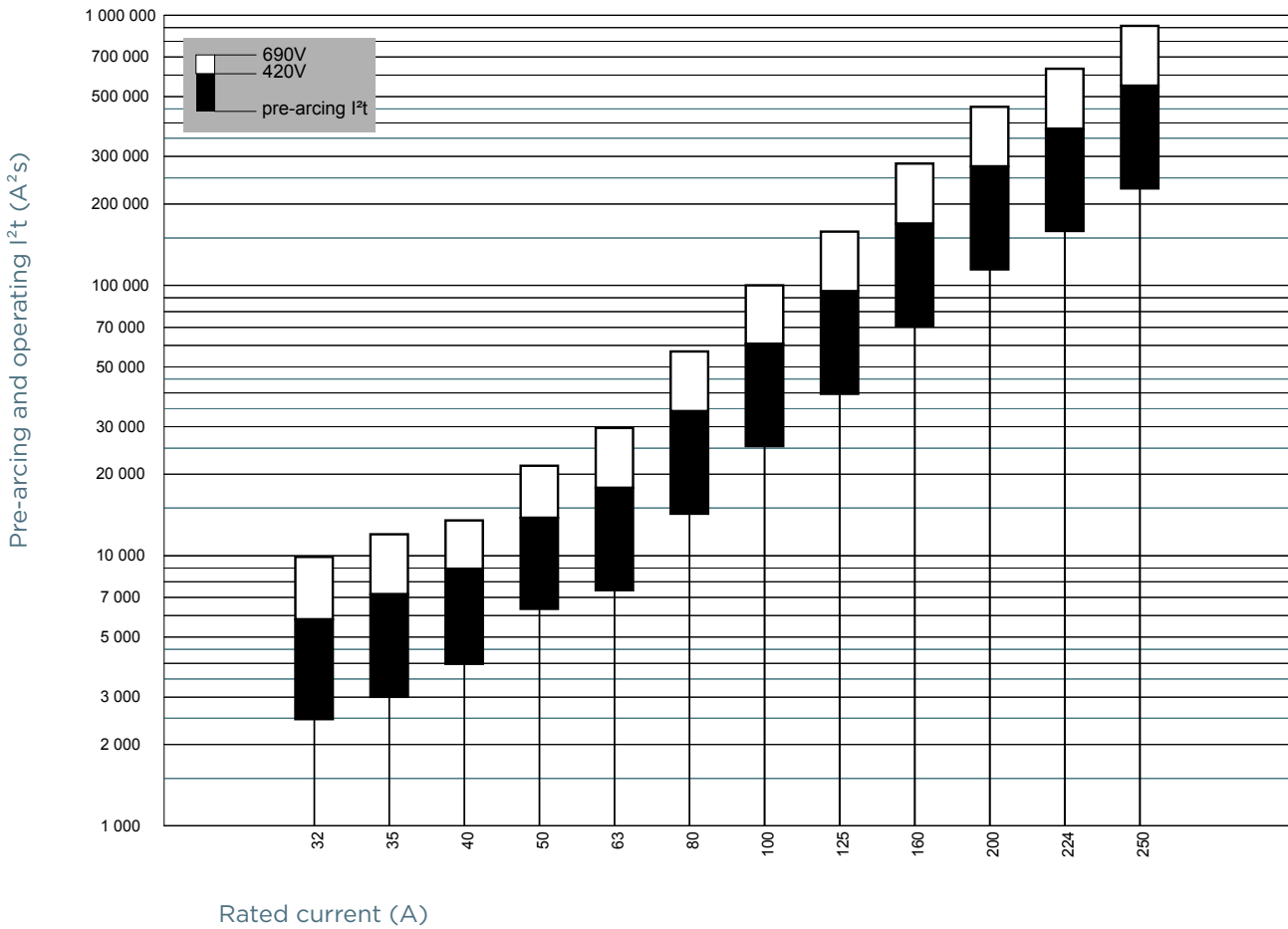
double indicator/live gripping-lugs size 000, 00, 0, 1, 2, 3

## PRE-ARCING AND OPERATING I<sup>2</sup>T CHARACTERISTICS

### Size 2, 300 - 355A



### Size 2, 32 - 250A

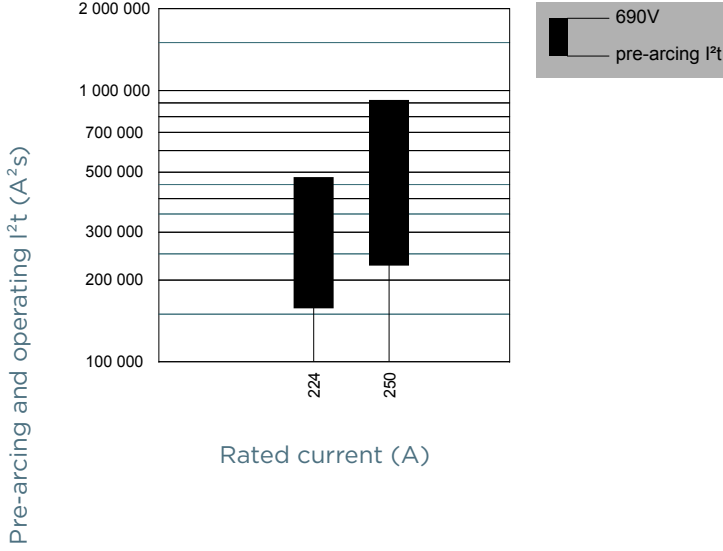


# NH fuse-links gG 690VAC

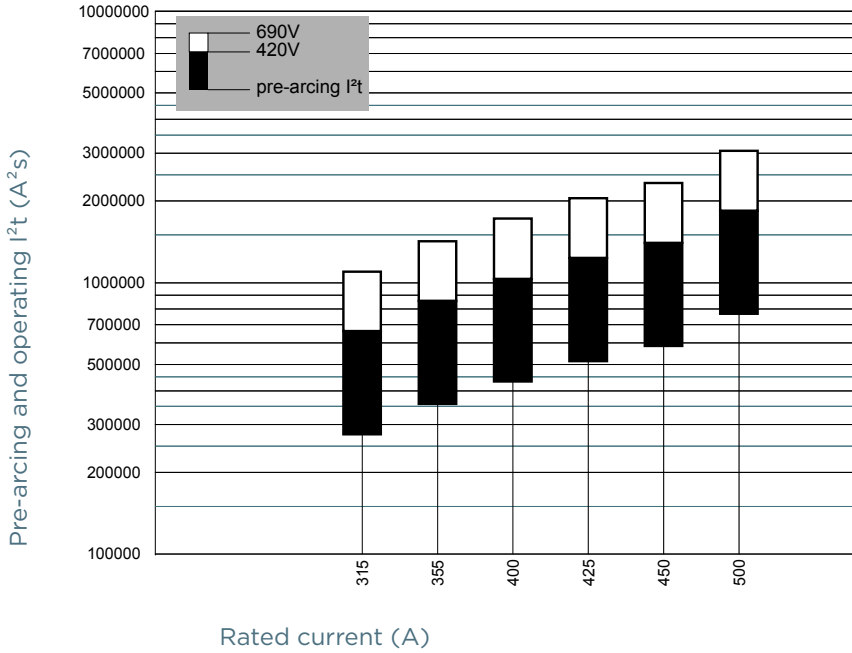
double indicator/live gripping-lugs size 000, 00, 0, 1, 2, 3

## PRE-ARCING AND OPERATING I<sup>2</sup>t CHARACTERISTICS

### Size 3, 224 - 250A



### Size 3, 315 - 500A

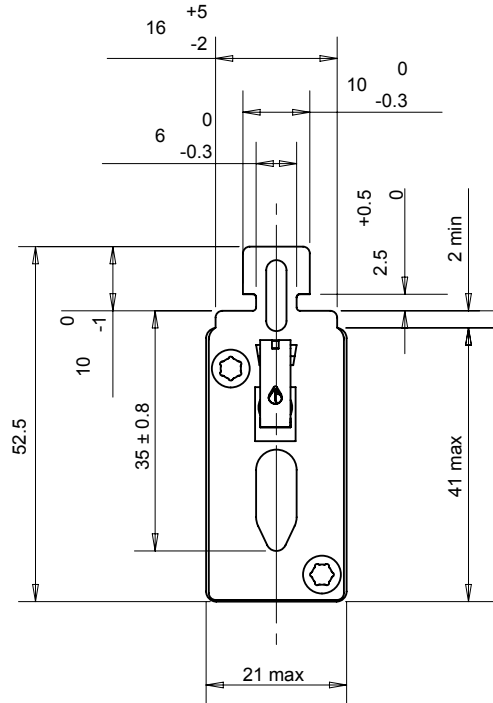
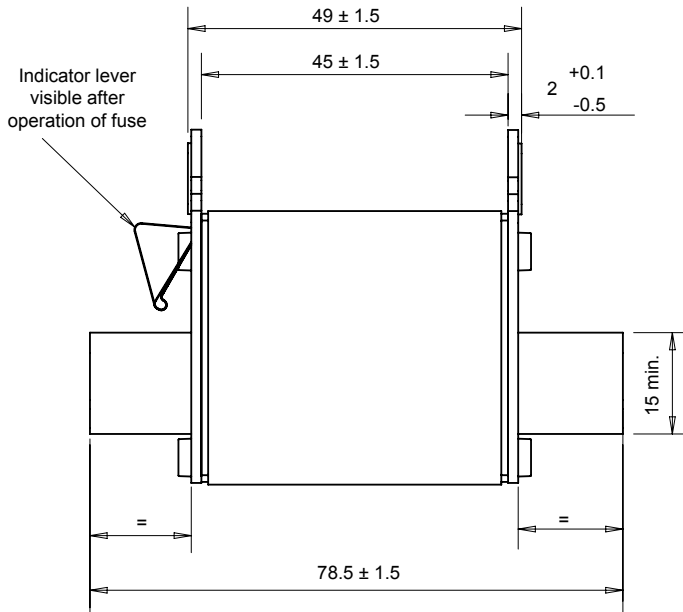


# NH fuse-links gG 690VAC

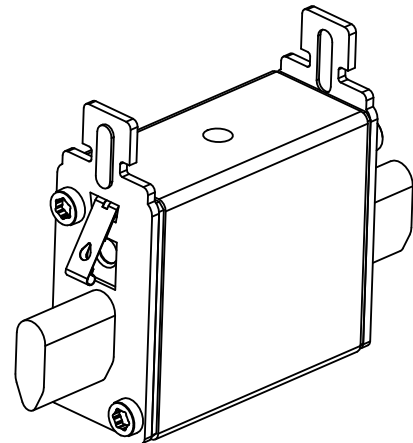
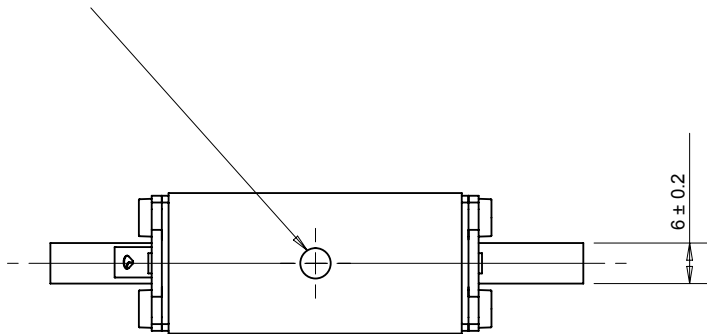
double indicator/live gripping-lugs size 000, 00, 0, 1, 2, 3

## DIMENSIONS

### Size 000 with double indicator



Visibility of red indicator signals conduction of the fuse-link.  
After operation the red indicator is no longer visible



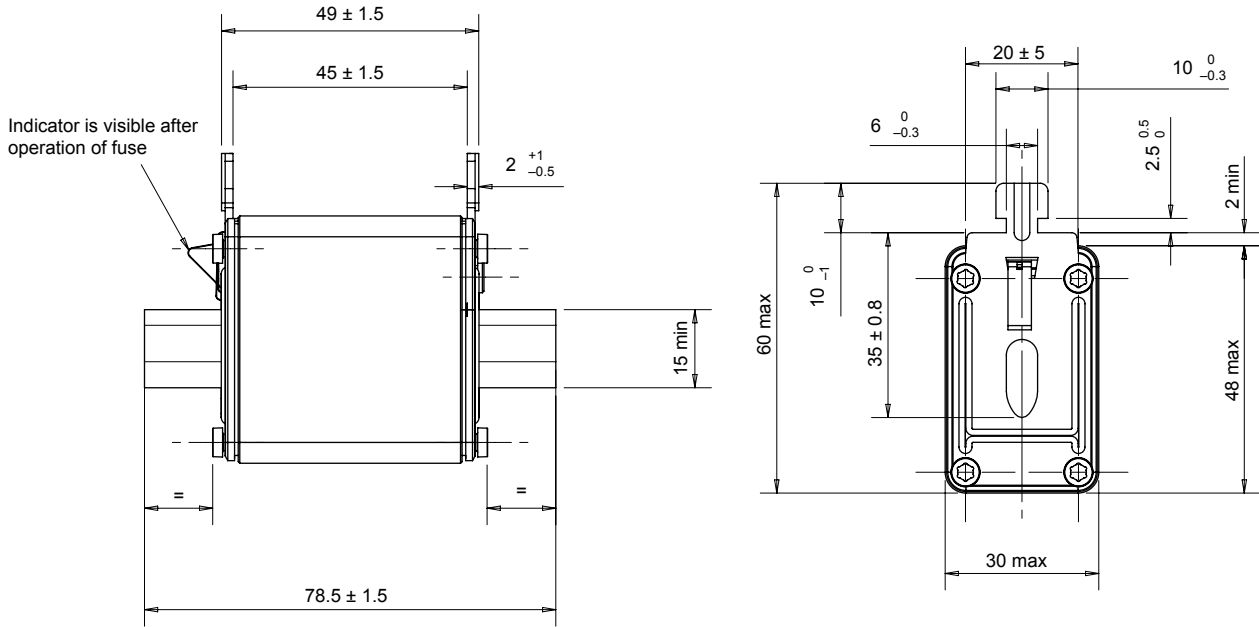
Dimensions in mm

# NH fuse-links gG 690VAC

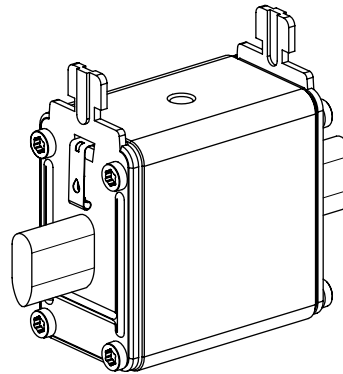
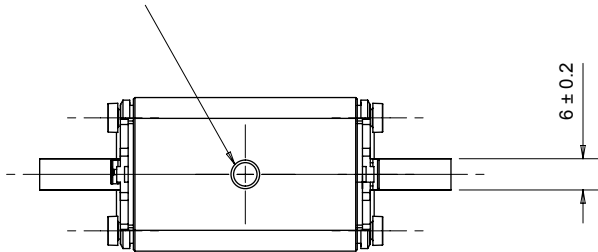
double indicator/live gripping-lugs size 000, 00, 0, 1, 2, 3

## DIMENSIONS

### Size 00 with double indicator



- Visibility of red indicator signals conduction of the fuse-link. After operation the red indicator is no longer visible.



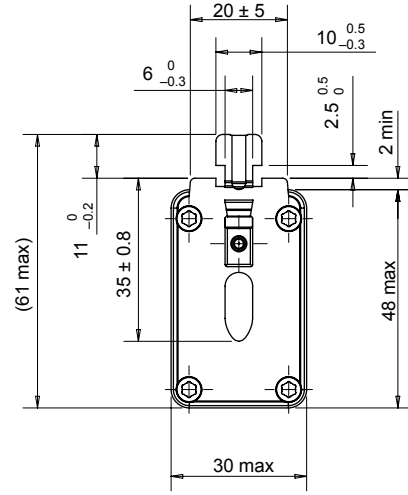
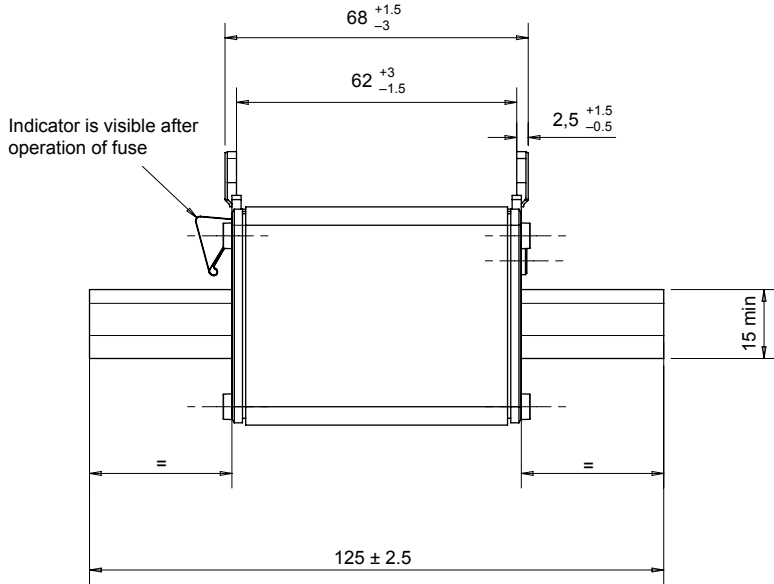
Dimensions in mm

# NH fuse-links gG 690VAC

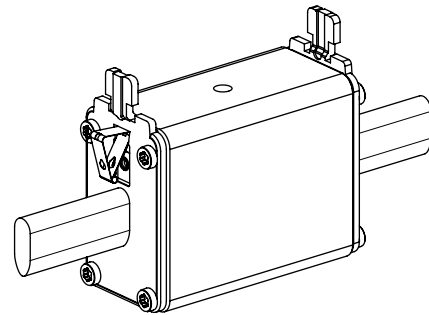
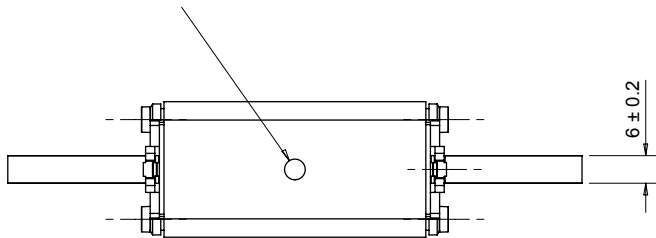
double indicator/live gripping-lugs size 000, 00, 0, 1, 2, 3

## DIMENSIONS

### Size 0 with double indicator



Visibility of red indicator signals conduction of the fuse-link. After operation the red indicator is no longer visible.



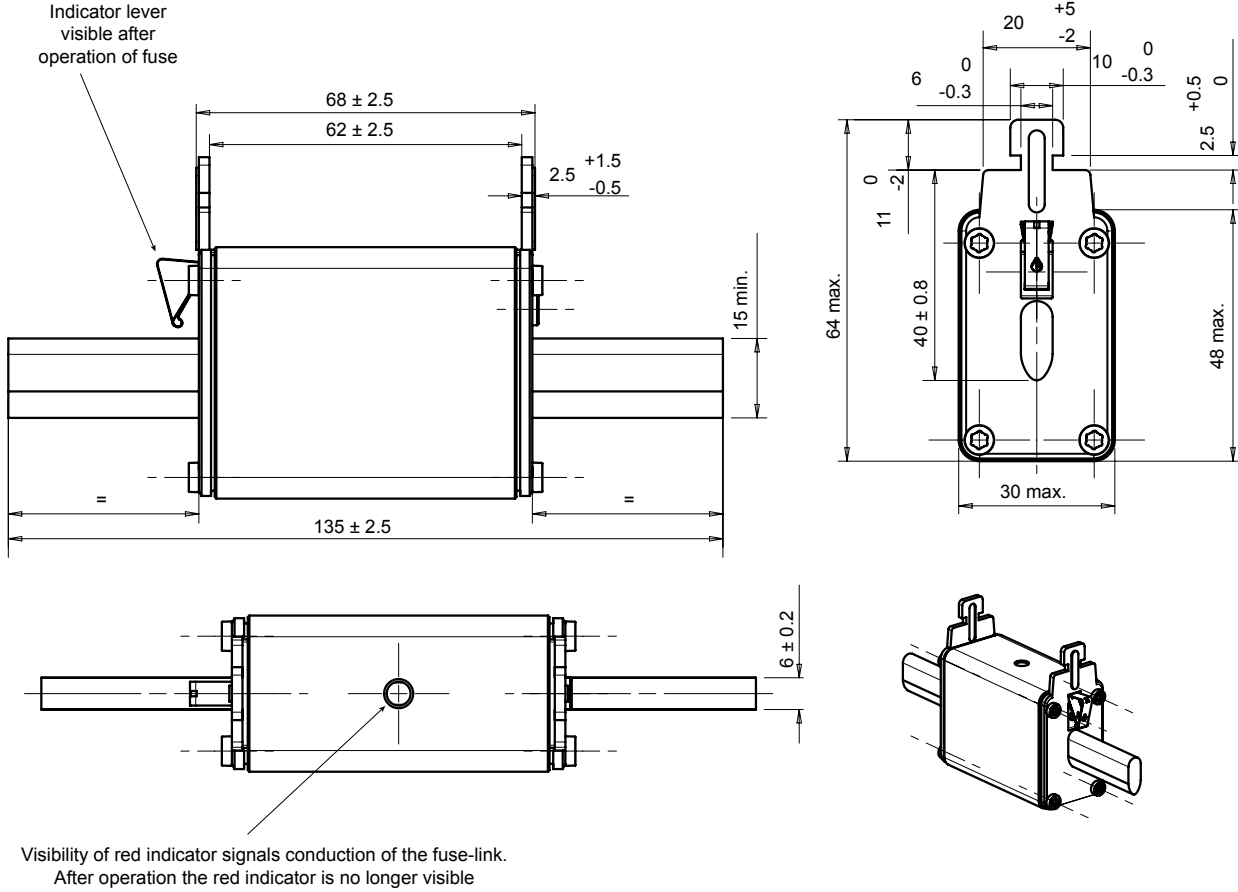
Dimensions in mm

# NH fuse-links gG 690VAC

double indicator/live gripping-lugs size 000, 00, 0, 1, 2, 3

## DIMENSIONS

### Size 1 compact with double indicator (16-100A)



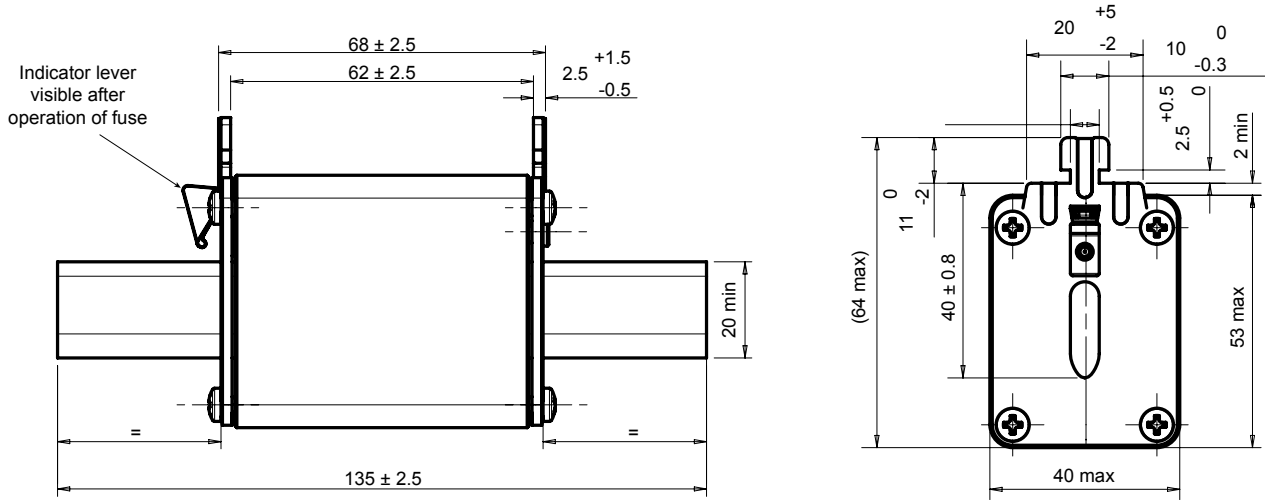
Dimensions in mm

# NH fuse-links gG 690VAC

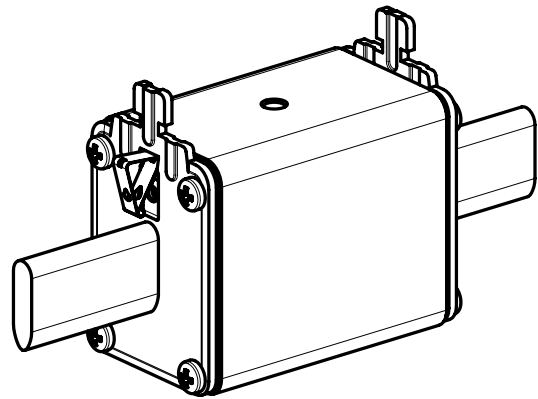
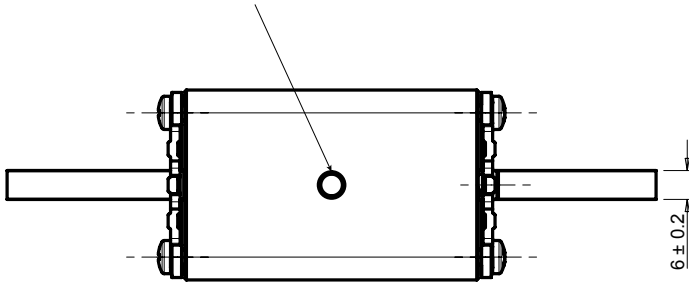
double indicator/live gripping-lugs size 000, 00, 0, 1, 2, 3

## DIMENSIONS

### Size 1 with double indicator (125-250A)



Visibility of red indicator signals conduction of the fuse-link.  
After operation the red indicator is no longer visible



Dimensions in mm

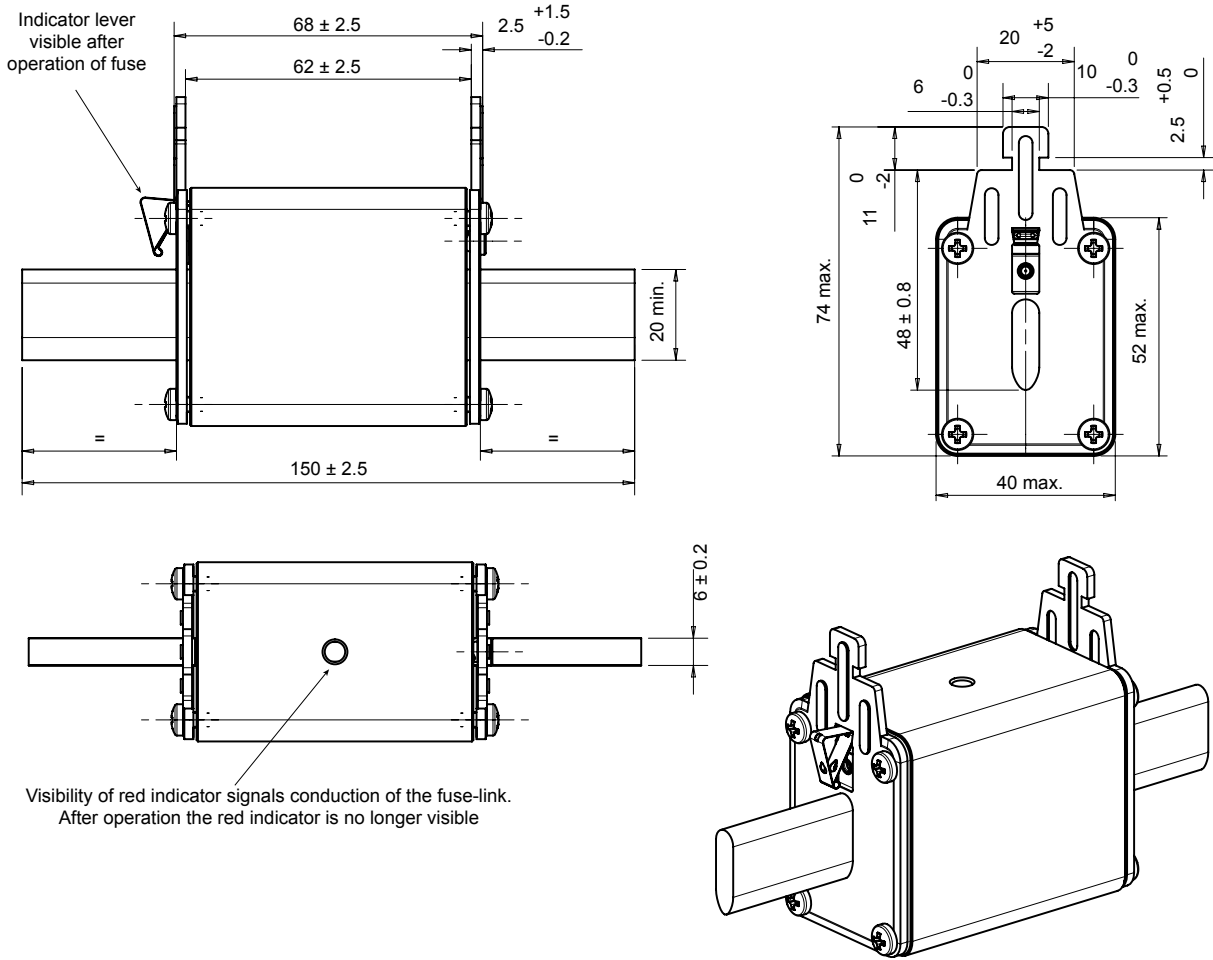


# NH fuse-links gG 690VAC

double indicator/live gripping-lugs size 000, 00, 0, 1, 2, 3

## DIMENSIONS

### Size 2 compact with double indicator (32-250A)



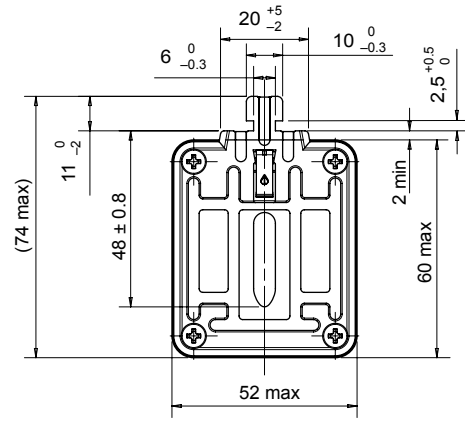
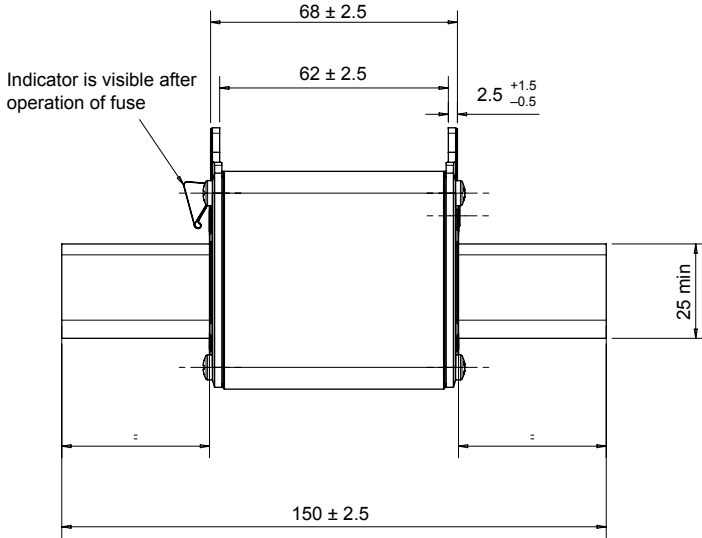
Dimensions in mm

# NH fuse-links gG 690VAC

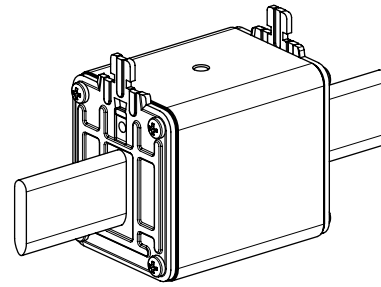
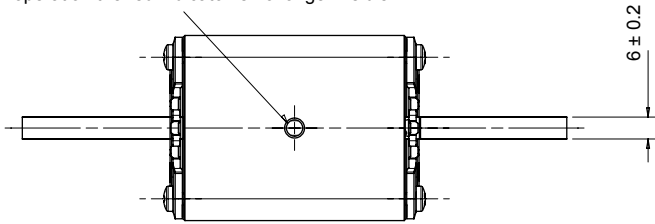
double indicator/live gripping-lugs size 000, 00, 0, 1, 2, 3

## DIMENSIONS

### Size 2 with double indicator (300-355A)



Visibility of red indicator signals conduction of the fuse-link. After operation the red indicator is no longer visible.



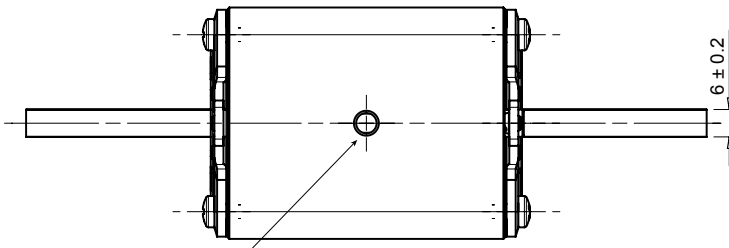
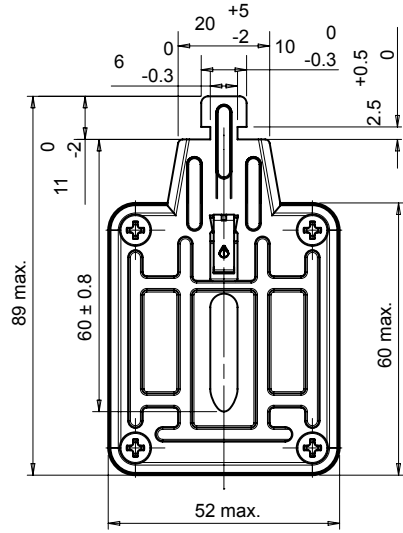
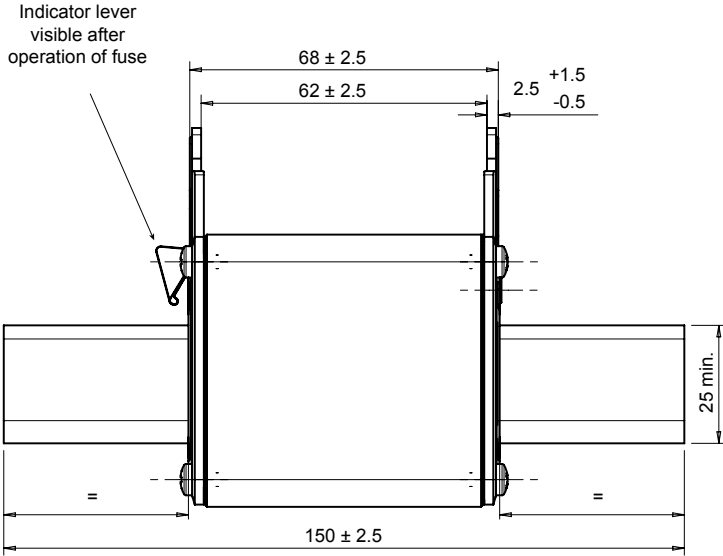
Dimensions in mm

# NH fuse-links gG 690VAC

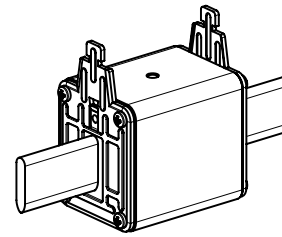
double indicator/live gripping-lugs size 000, 00, 0, 1, 2, 3

## DIMENSIONS

### Size 3 compact with double indicator (250-355A)



Visibility of red indicator signals conduction of the fuse-link.  
After operation the red indicator is no longer visible



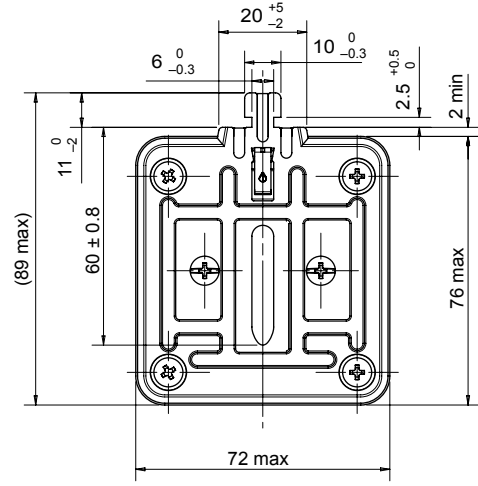
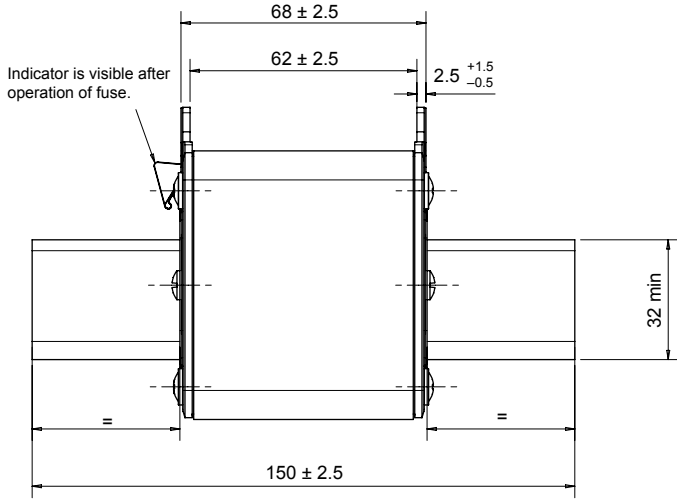
Dimensions in mm

# NH fuse-links gG 690VAC

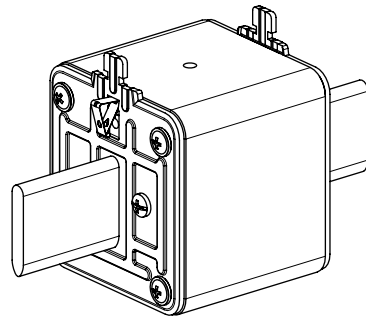
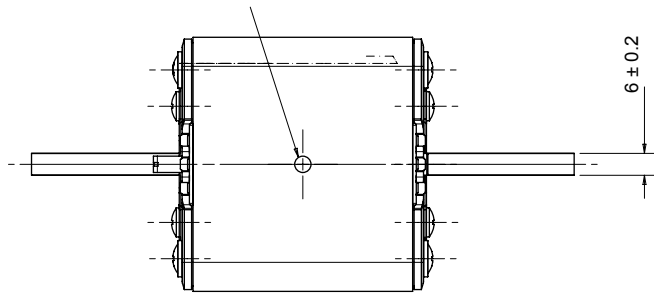
double indicator/live gripping-lugs size 000, 00, 0, 1, 2, 3

## DIMENSIONS

### Size 3 with double indicator (400-500A)



Visibility of red indicator signals conduction of the fuse-link. After operation the red indicator is no longer visible.



Dimensions in mm

# NH fuse-links gG 500 - 690VAC

with striker size 0, 1, 2, 3, 4

## LOW VOLTAGE IEC FUSES

### IEC NH FUSE-LINKS



The NH system is classified among plug-in fuse systems and is composed of:

- fuse-base (possibly including terminal covers and phase barriers)
- fuse-link with blade contact
- fuse-link replacement device (LV HRC fuse puller)

Since the design of this system cannot guarantee non-interchangeability of rated current it must be handled by a qualified professional.

Type “gG” NH fuse-links are full range breaking capacity fuse-links and are used to protect cables and equipment. They can interrupt any current surge, from the lowest fusing current up to their breaking capacity, and so can be used alone as protection. They also protect electrical devices and industrial set-ups from the electrodynamic effects of very high short-circuit currents.

## TECHNICAL DATA OVERVIEW

Voltage Range AC	500 ... 690 VAC
Ampere Range (A)	32 ... 1250 A
Size per Standard	Sizes 0 to 4 - with striker
Speed/Characteristic	gG
I.R. AC	80 ... 120 kA
Body Material	ceramic
Contact Materials	copper, silver-plated

## FEATURES & BENEFITS

- Dimensions according to DIN 43 620 Parts 1 to 4
- Lead free contact blades
- 0% cadmium

## APPLICATIONS

- gG: General purpose cable and line protection

## STANDARDS

- VDE 0636 Part 201
- IEC 60269-1 and -2



# NH fuse-links gG 500 - 690VAC

with striker size 0, 1, 2, 3, 4

## PRODUCT RANGE



NH0GG50V160P-2

### Size 0 gG with striker

Catalog number	Item number	Rated voltage AC (IEC)	Rated current I <sub>n</sub>	Rated breaking capacity AC	Power dissipation at I <sub>n</sub>	Package	Weight
NH0GG69V32P-2	P213637	690 V	32 A	80 kA	3.7 W	3	0.28 kg
NH0GG69V35P-2	S214146	690 V	35 A	80 kA	4 W	3	0.28 kg
NH0GG69V40P-2	W214655	690 V	40 A	80 kA	4.5 W	3	0.28 kg
NH0GG69V50P-2	B215166	690 V	50 A	80 kA	5.2 W	3	0.28 kg
NH0GG69V63P-2	D215674	690 V	63 A	80 kA	6.2 W	3	0.28 kg
NH0GG69V80P-2	J216185	690 V	80 A	80 kA	7.5 W	3	0.28 kg
NH0GG69V100P-2	H216690	690 V	100 A	80 kA	8.5 W	3	0.28 kg
NH0GG50V125P-2	V217207	500 V	125 A	120 kA	10.7 W	3	0.28 kg
NH0GG50V160P-2	A217718	500 V	160 A	120 kA	13.5 W	3	0.28 kg
NH0GG50V200P-2	K218233	500 V	200 A	120 kA	15 W	3	0.28 kg

### Size 1 gG with striker

Catalog number	Item number	Rated voltage AC (IEC)	Rated current I <sub>n</sub>	Rated breaking capacity AC	Power dissipation at I <sub>n</sub>	Package	Weight
NH1GG69V80P-2	Y218751	690 V	80 A	80 kA	6.9 W	3	0.35 kg
NH1GG69V100P-2	M219270	690 V	100 A	80 kA	8.1 W	3	0.35 kg
NH1GG69V125P-2	P219801	690 V	125 A	80 kA	9.6 W	3	0.35 kg
NH1GG69V160P-2	Z222478	690 V	160 A	80 kA	11.9 W	3	0.35 kg
NH1GG69V200P-2	R223000	690 V	200 A	80 kA	14.9 W	3	0.35 kg
NH1GG50V224P-2	Y200788	500 V	224 A	120 kA	16.7 W	3	0.35 kg
NH1GG50V250P-2	Q201333	500 V	250 A	120 kA	18.7 W	3	0.35 kg



NH2GG50V400P-2

### Size 2 gG with striker

Catalog number	Item number	Rated voltage AC (IEC)	Rated current I <sub>n</sub>	Rated breaking capacity AC	Power dissipation at I <sub>n</sub>	Package	Weight
NH2GG69V125P-2	W212102	690 V	125 A	80 kA	9.5 W	3	0.56 kg
NH2GG69V160P-2	L212622	690 V	160 A	80 kA	11.5 W	3	0.56 kg
NH2GG69V200P-2	Y213139	690 V	200 A	80 kA	14.5 W	3	0.56 kg
NH2GG69V224P-2	Q213638	690 V	224 A	80 kA	16 W	3	0.56 kg
NH2GG69V250P-2	T214147	690 V	250 A	80 kA	17.5 W	3	0.56 kg
NH2GG69V315P-2	X214656	690 V	315 A	80 kA	23 W	3	0.56 kg
NH2GG50V355P-2	E215675	500 V	355 A	120 kA	25 W	3	0.56 kg
NH2GG50V400P-2	K216186	500 V	400 A	120 kA	29 W	3	0.56 kg
NH2GG50V500P-2	W217208	500 V	500 A	120 kA	39 W	3	0.56 kg



NH3GG50V630P-2

### Size 3 gG with striker

Catalog number	Item number	Rated voltage AC (IEC)	Rated current I <sub>n</sub>	Rated breaking capacity AC	Power dissipation at I <sub>n</sub>	Package	Weight
NH3GG69V315P-2	B217719	690 V	315 A	80 kA	23 W	3	0.87 kg
NH3GG69V355P-2	L218234	690 V	355 A	80 kA	25 W	3	0.87 kg
NH3GG69V400P-2	Z218752	690 V	400 A	80 kA	29 W	3	0.87 kg
NH3GG50V500P-2	Z1069867	500 V	500 A	120 kA	39 W	3	0.87 kg
NH3GG50V630P-2	Q219802	500 V	630 A	120 kA	47 W	3	0.87 kg

# NH fuse-links gG 500 - 690VAC

with striker size 0, 1, 2, 3, 4

## PRODUCT RANGE

### Size 4 gG with striker

Catalog number	Item number	Rated voltage AC (IEC)	Rated current $I_n$	Rated breaking capacity AC	Power dissipation at $I_n$	Package	Weight
NH4GG69V500P-2	S1000079	690 V	500 A	120 kA	40 W	1	2.2 kg
NH4GG69V630P-2	T1000080	690 V	630 A	120 kA	53 W	1	2.2 kg
NH4GG69V800P-2	V1000081	690 V	800 A	120 kA	68 W	1	2.2 kg
NH4GG50V1000P-2	W1000082	500 V	1000 A	120 kA	65 W	1	2.2 kg
NH4GG50V1250P-2	X1000083	500 V	1250 A	120 kA	61 W	1	2.2 kg

## TECHNICAL DATA

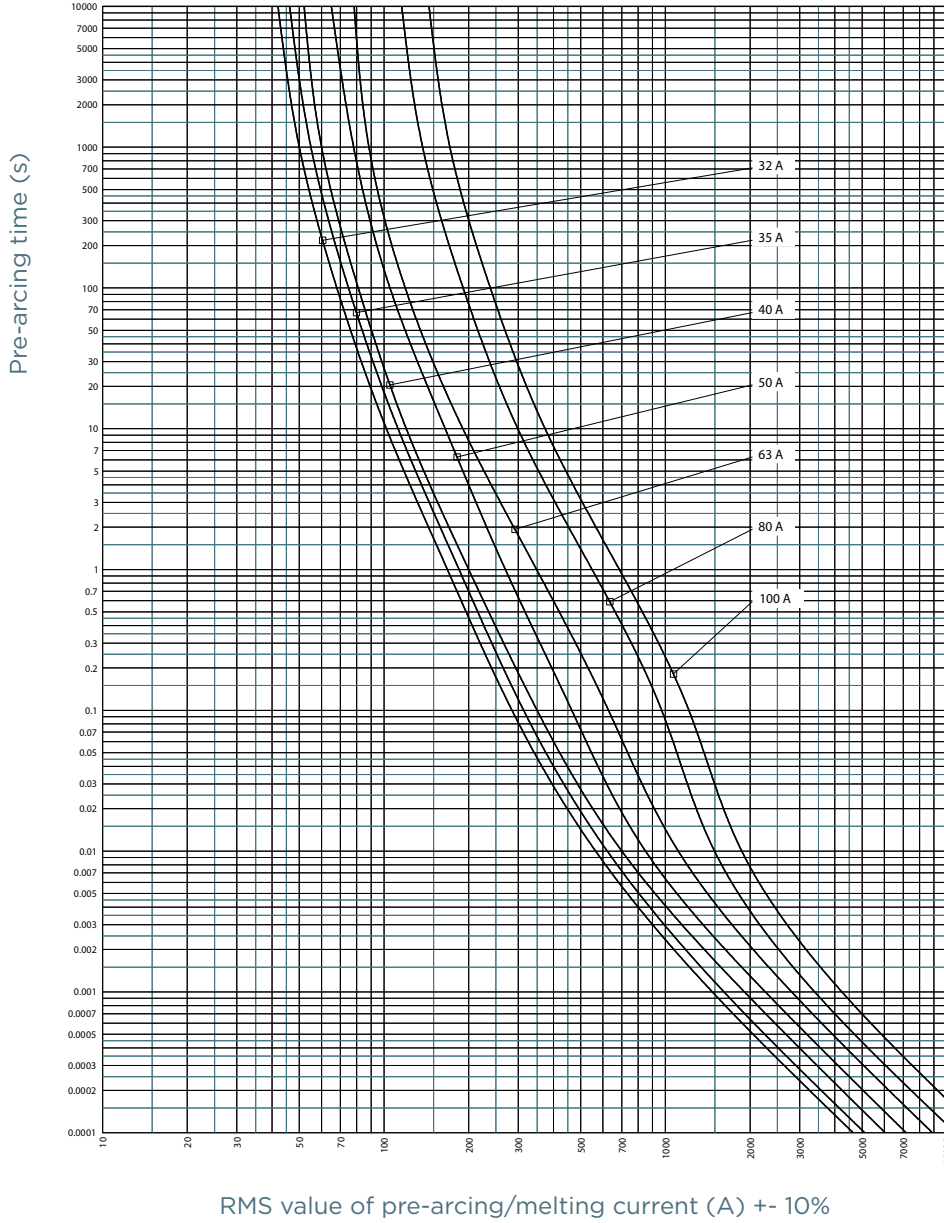
	Size 0	Size 1	Size 2	Size 3	Size 4 gG with striker
Size	0	1	2	3	4
Rated current	32 ... 200 A	80 ... 355 A	125 ... 500 A	315 ... 630 A	500 ... 1250 A
Rated voltage AC	500 ... 690 V	500 ... 690 V	500 ... 690 V	500 ... 690 V	500 ... 690 V
Indication System	with striker	with striker	with striker	with striker	with striker
Package	3	3	3	3	1

# NH fuse-links gG 500 - 690VAC

with striker size 0, 1, 2, 3, 4

## TIME CURRENT CHARACTERISTIC CURVES

Size 0, 690V gG



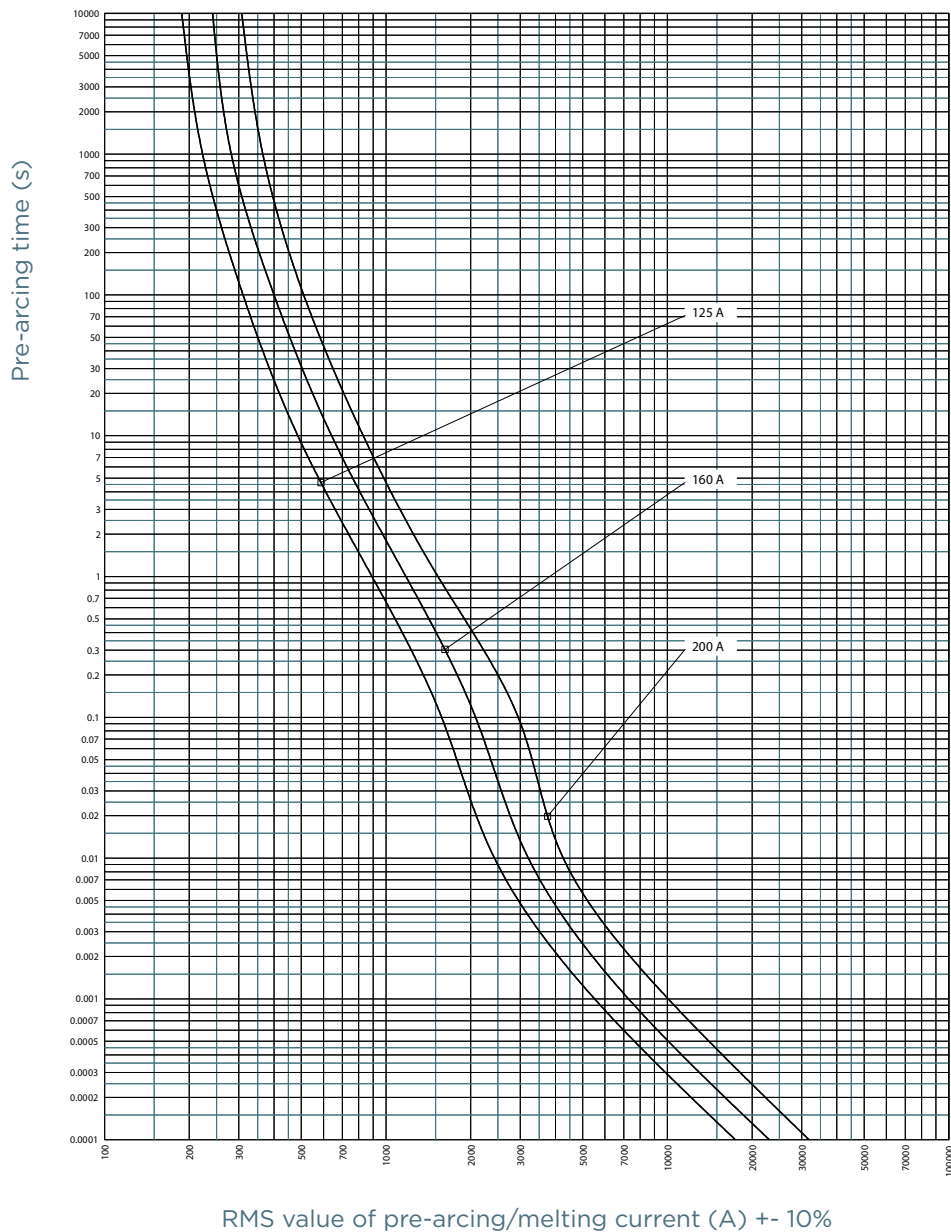


# NH fuse-links gG 500 - 690VAC

with striker size 0, 1, 2, 3, 4

## TIME CURRENT CHARACTERISTIC CURVES

Size 0, 500V gG

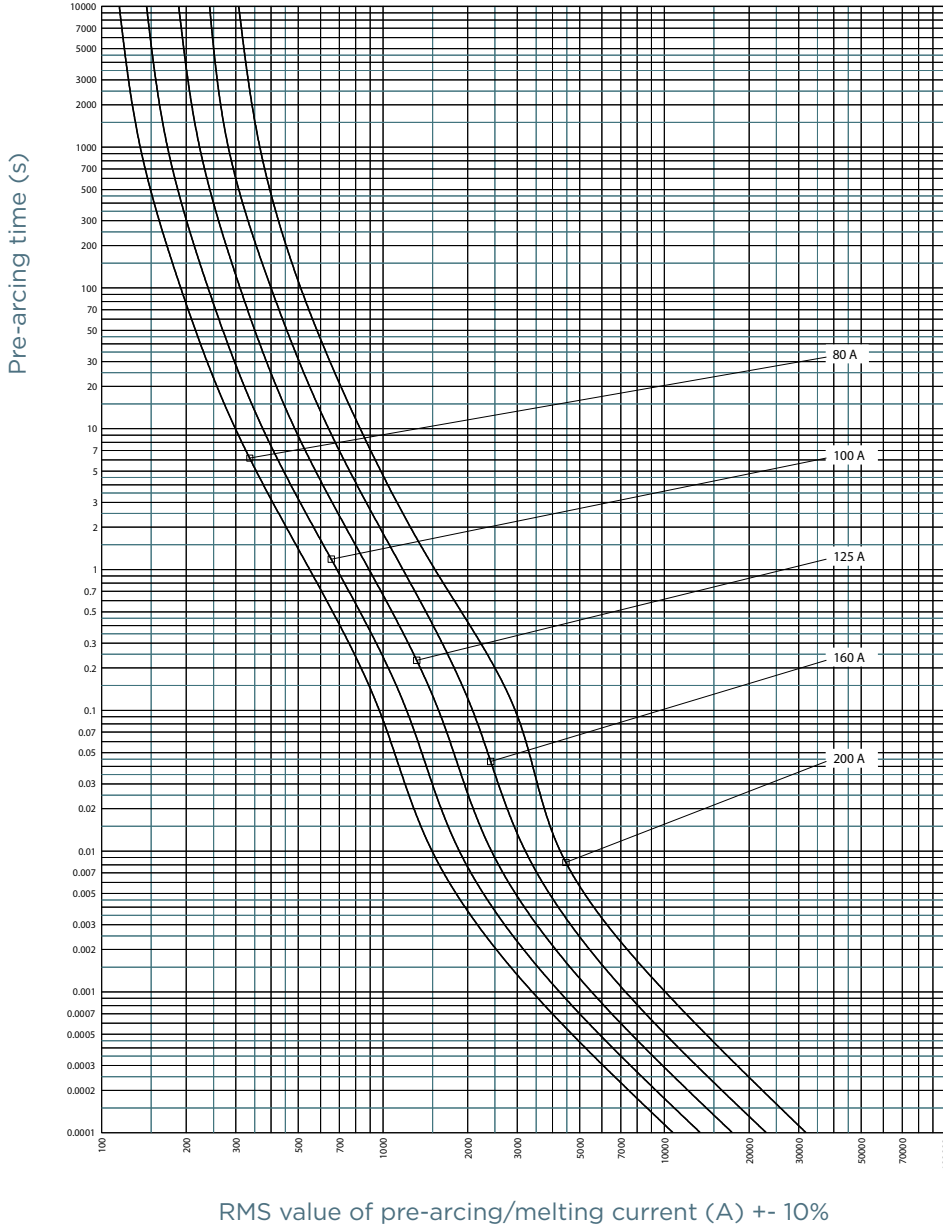


# NH fuse-links gG 500 - 690VAC

with striker size 0, 1, 2, 3, 4

## TIME CURRENT CHARACTERISTIC CURVES

Size 1, 690V gG

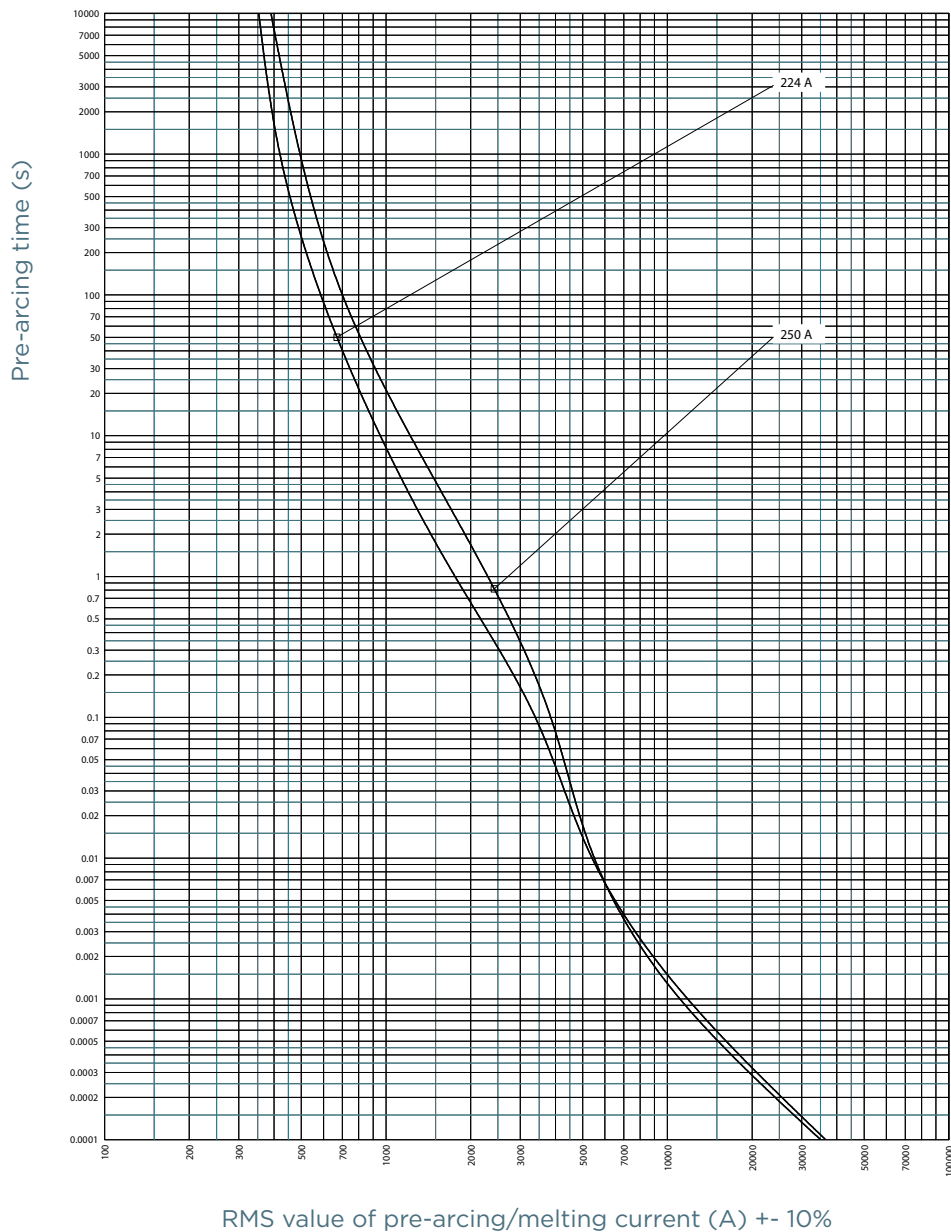


# NH fuse-links gG 500 - 690VAC

with striker size 0, 1, 2, 3, 4

## TIME CURRENT CHARACTERISTIC CURVES

Size 1, 500V gG

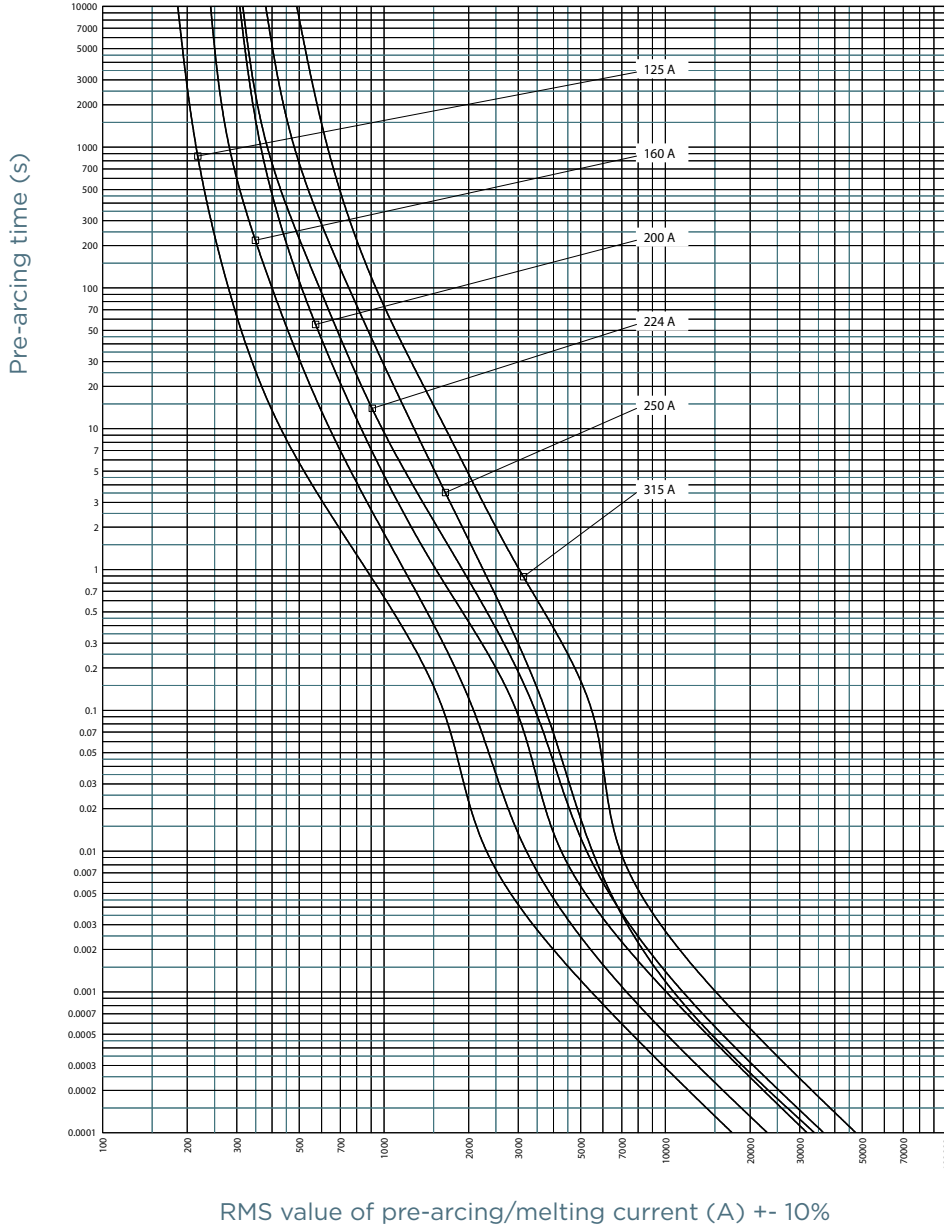


# NH fuse-links gG 500 - 690VAC

with striker size 0, 1, 2, 3, 4

## TIME CURRENT CHARACTERISTIC CURVES

Size 2, 690V gG

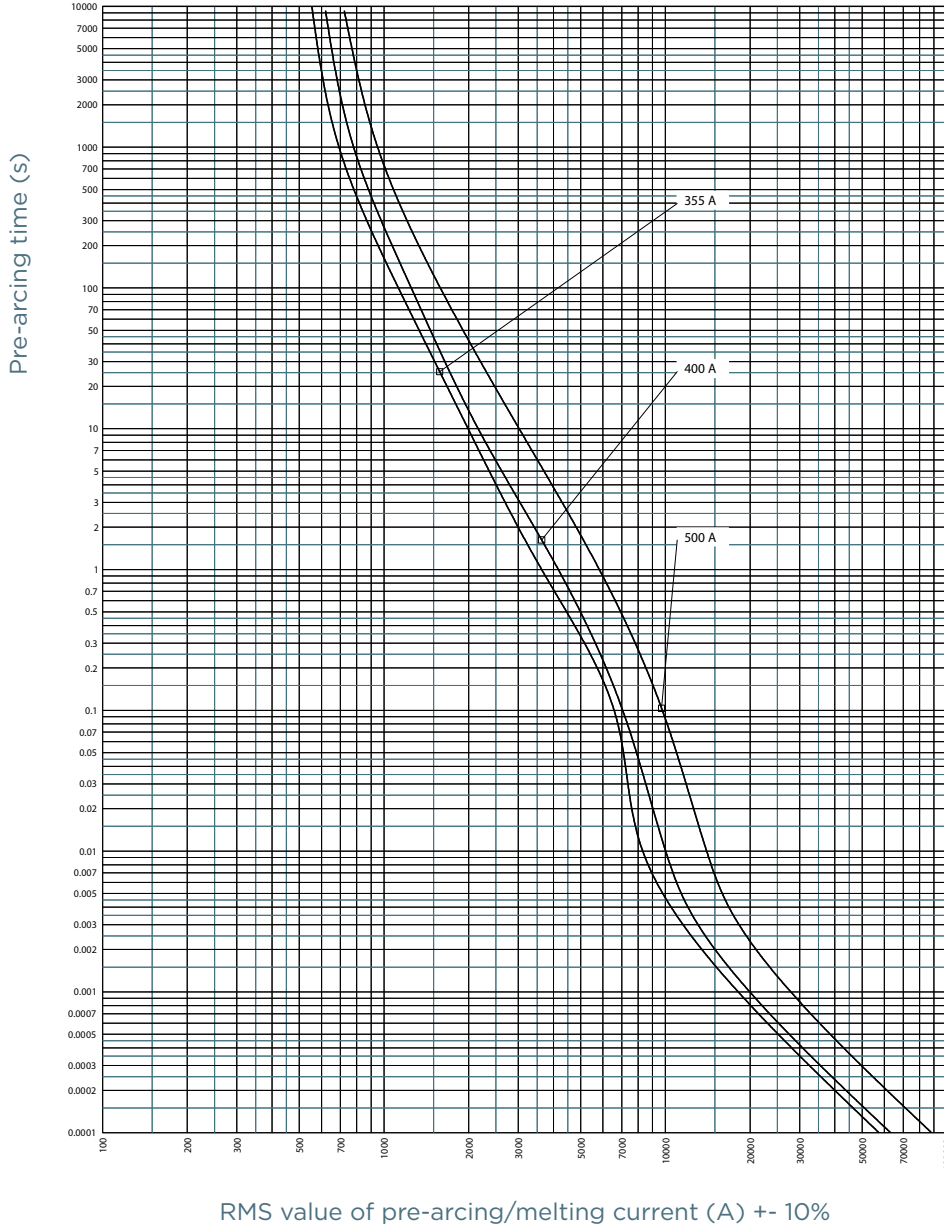


# NH fuse-links gG 500 - 690VAC

with striker size 0, 1, 2, 3, 4

## TIME CURRENT CHARACTERISTIC CURVES

Size 2, 500V gG

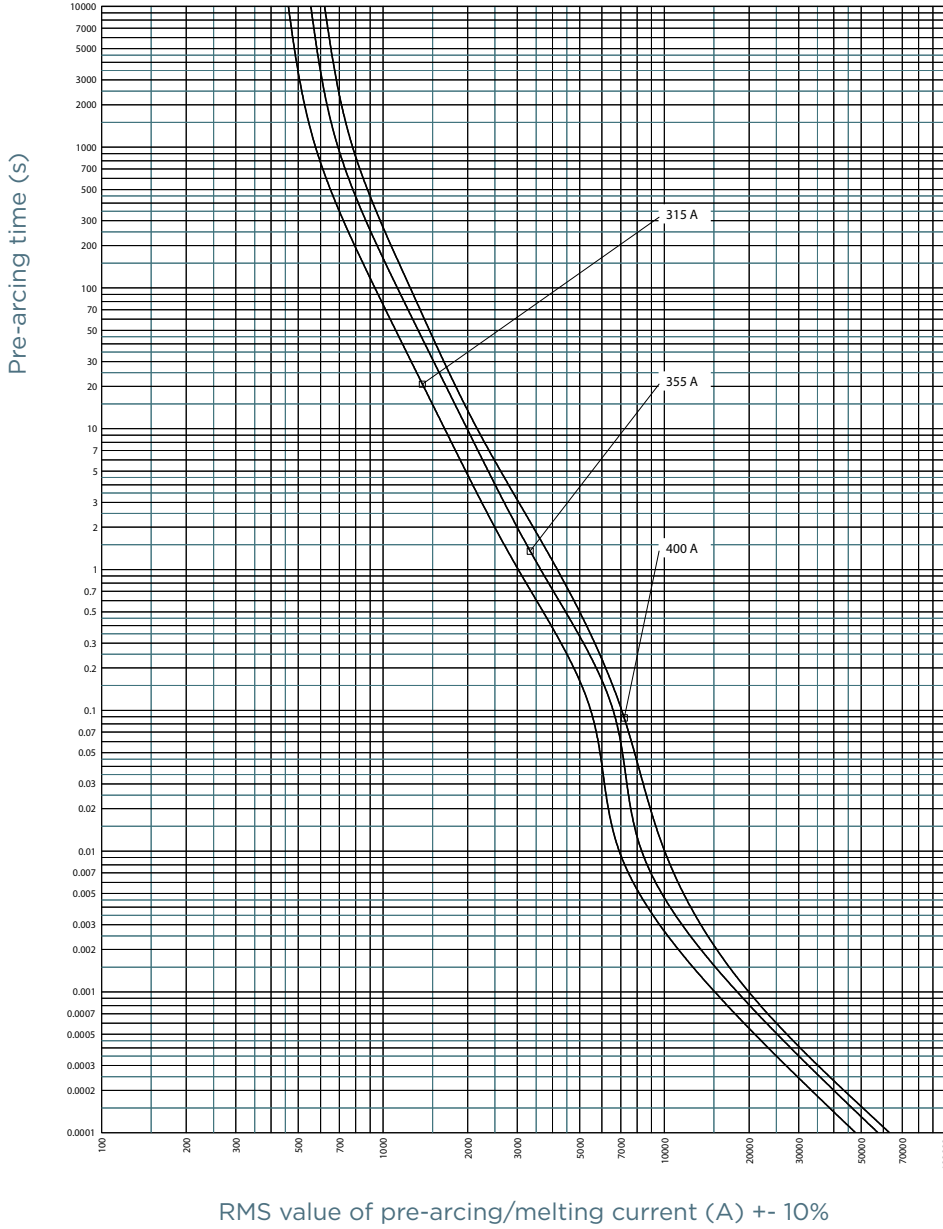


# NH fuse-links gG 500 - 690VAC

with striker size 0, 1, 2, 3, 4

## TIME CURRENT CHARACTERISTIC CURVES

Size 3, 690V gG

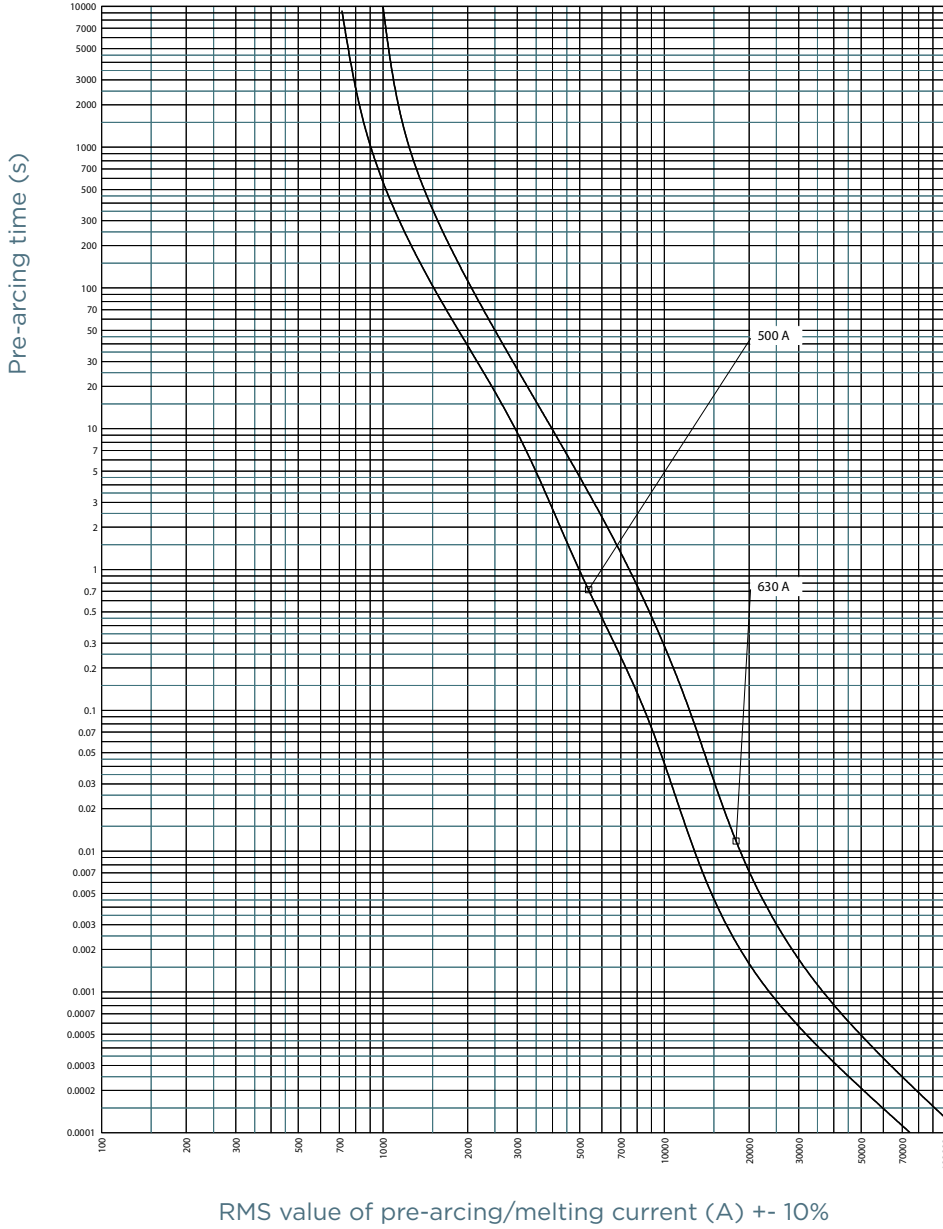


# NH fuse-links gG 500 - 690VAC

with striker size 0, 1, 2, 3, 4

## TIME CURRENT CHARACTERISTIC CURVES

Size 3, 500V gG

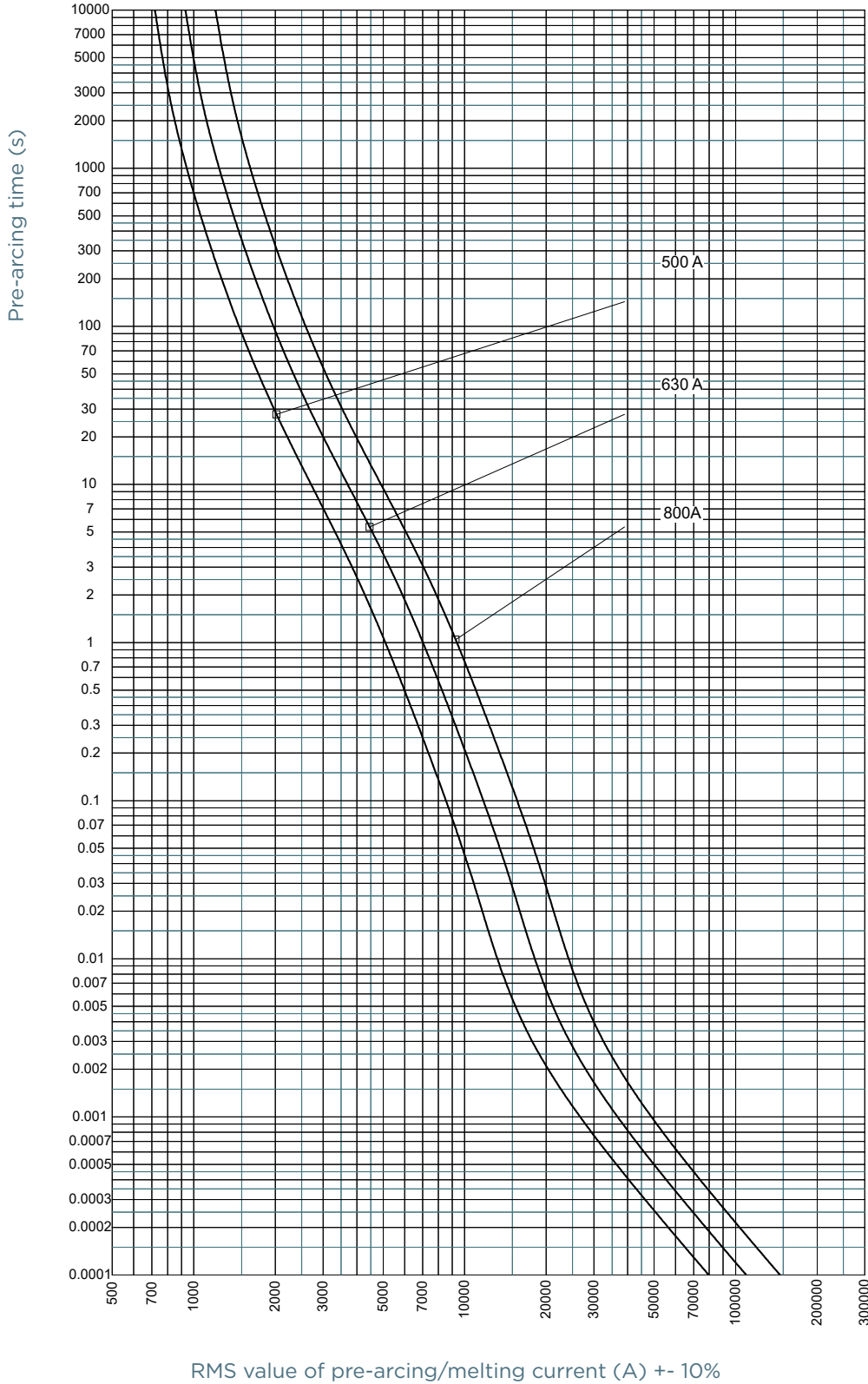


# NH fuse-links gG 500 - 690VAC

with striker size 0, 1, 2, 3, 4

## TIME CURRENT CHARACTERISTIC CURVES

Size 4, 690V gG



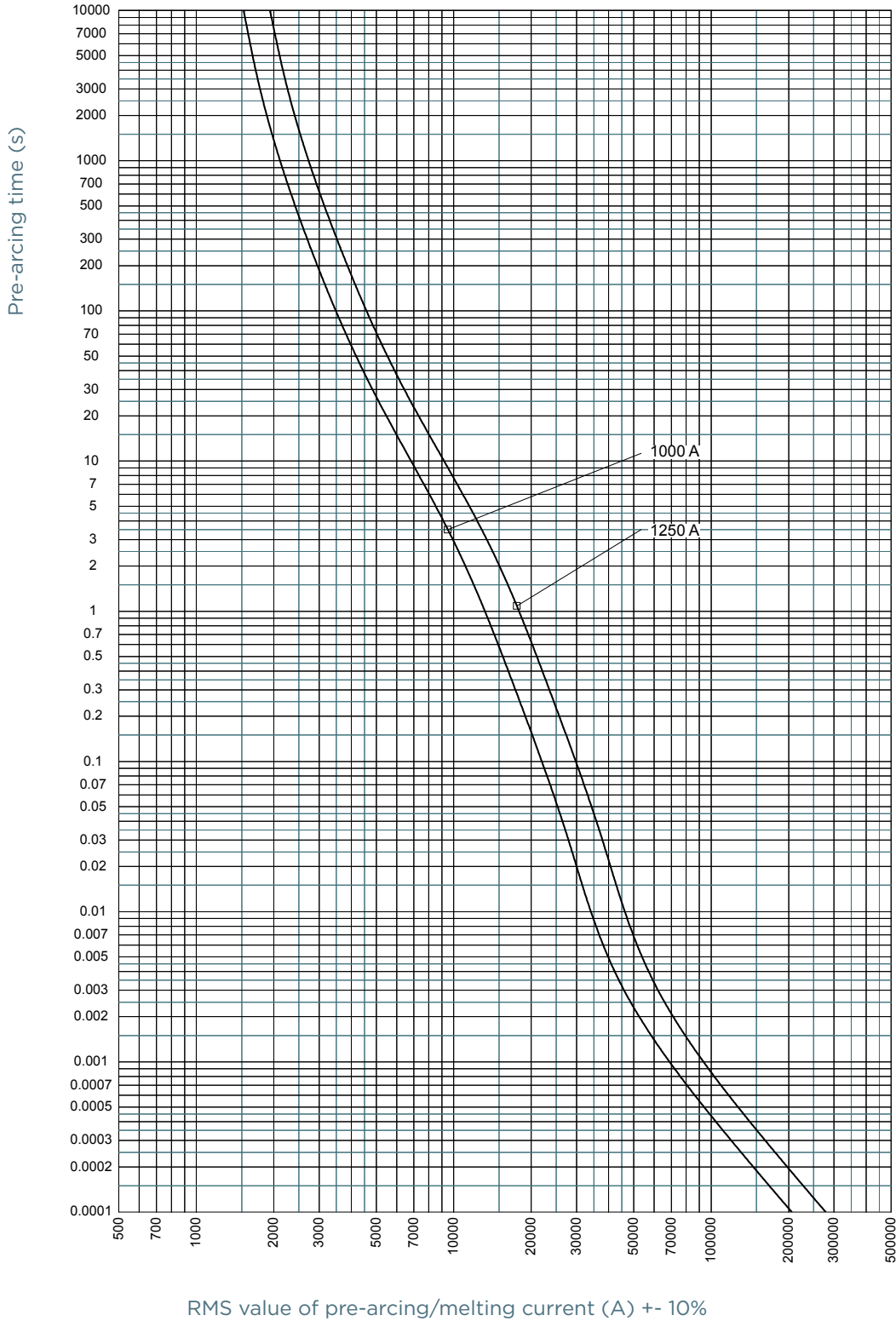


# NH fuse-links gG 500 - 690VAC

with striker size 0, 1, 2, 3, 4

## TIME CURRENT CHARACTERISTIC CURVES

Size 4, 500V gG

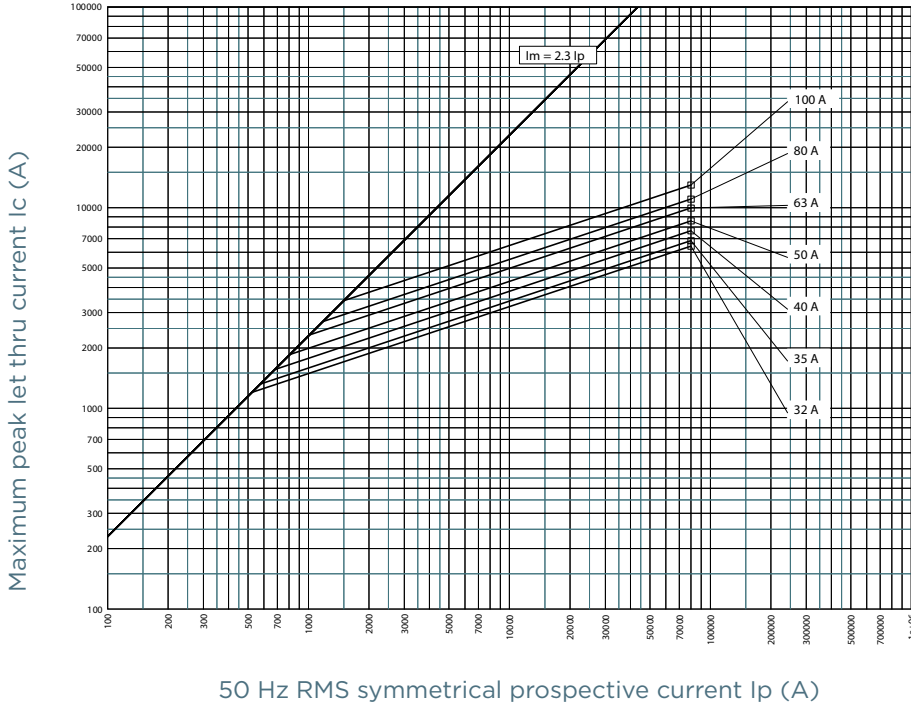


# NH fuse-links gG 500 - 690VAC

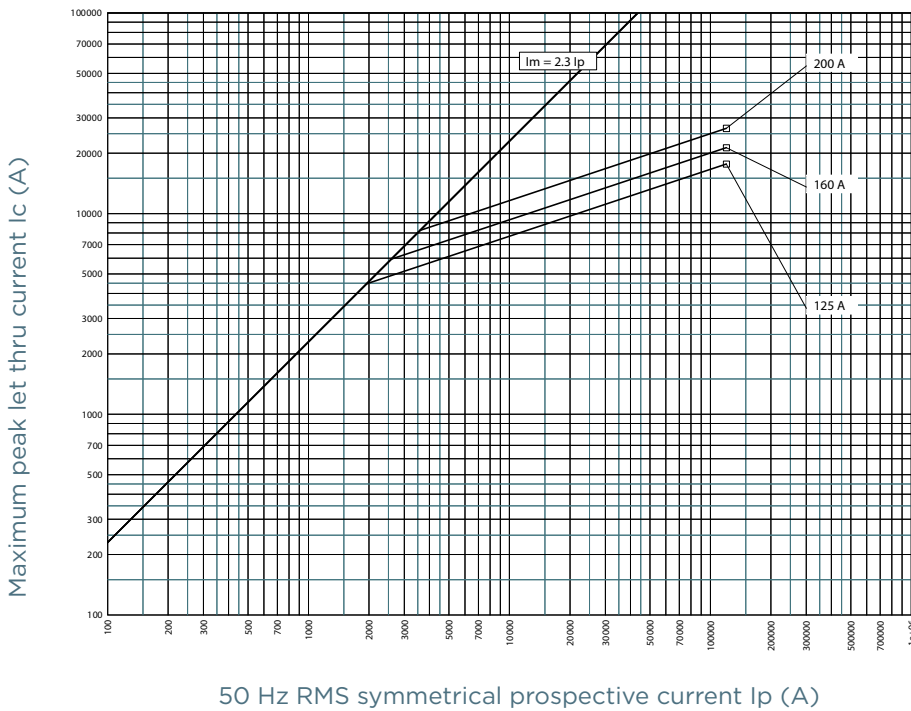
with striker size 0, 1, 2, 3, 4

## CUT-OFF CURRENT CHARACTERISTIC

Size 0, 690V gG



Size 0, 500V gG

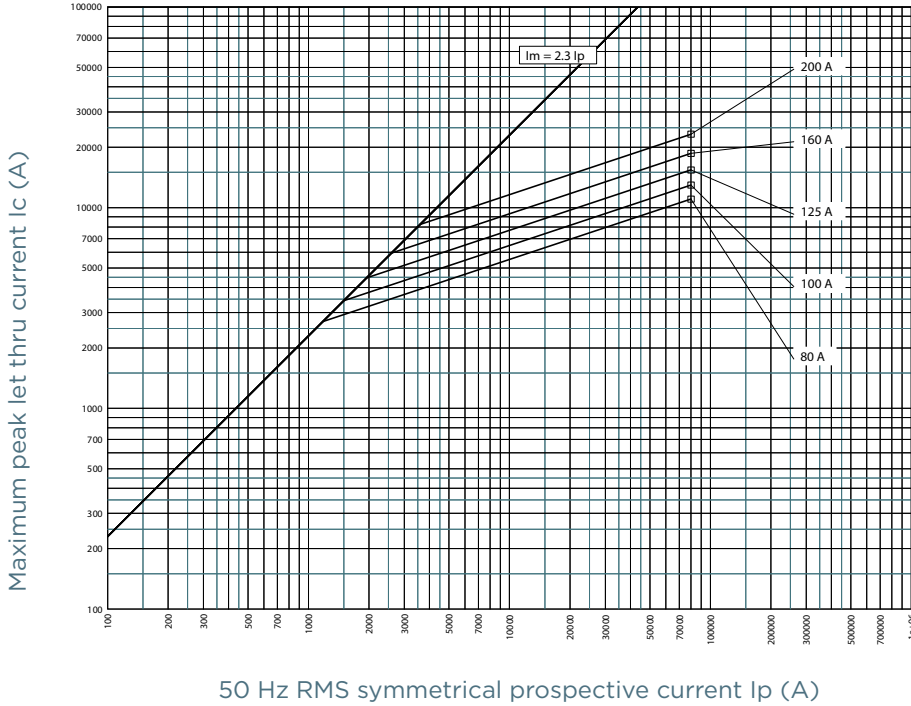


# NH fuse-links gG 500 - 690VAC

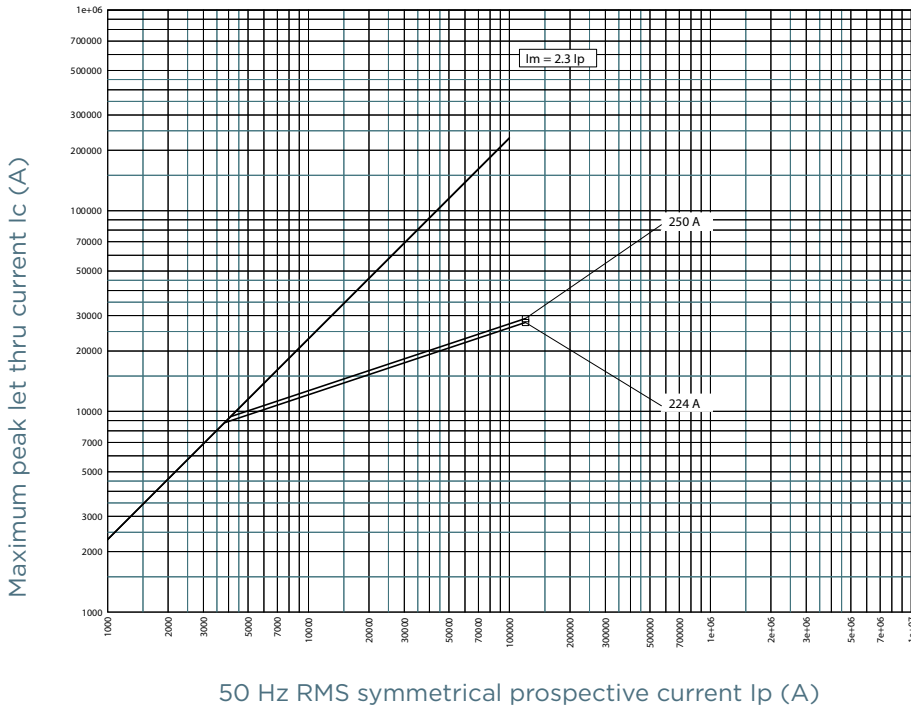
with striker size 0, 1, 2, 3, 4

## CUT-OFF CURRENT CHARACTERISTIC

### Size 1, 690V gG



### Size 1, 500V gG

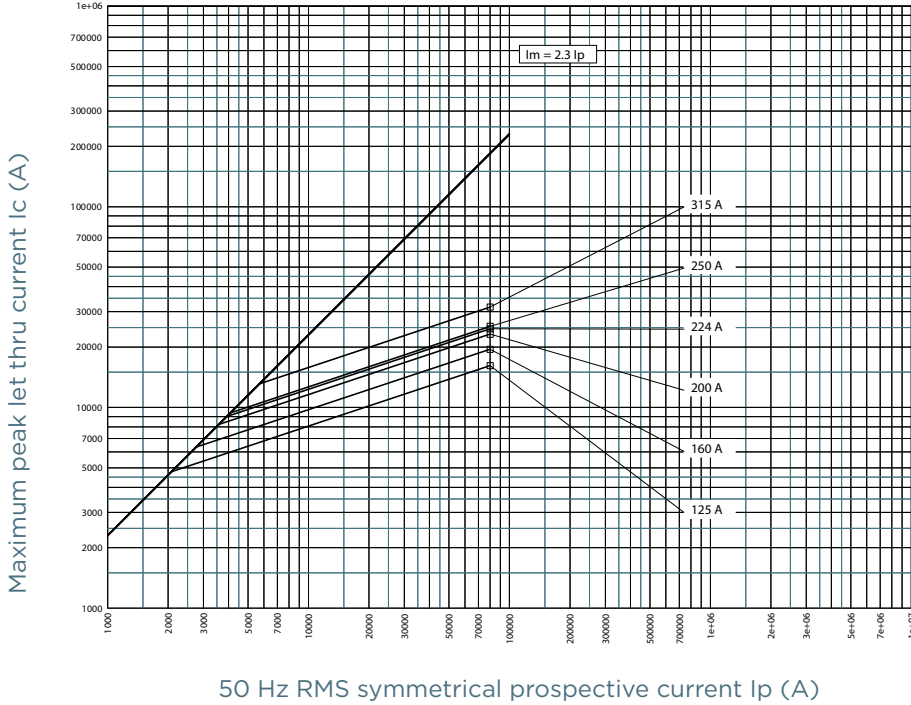


# NH fuse-links gG 500 - 690VAC

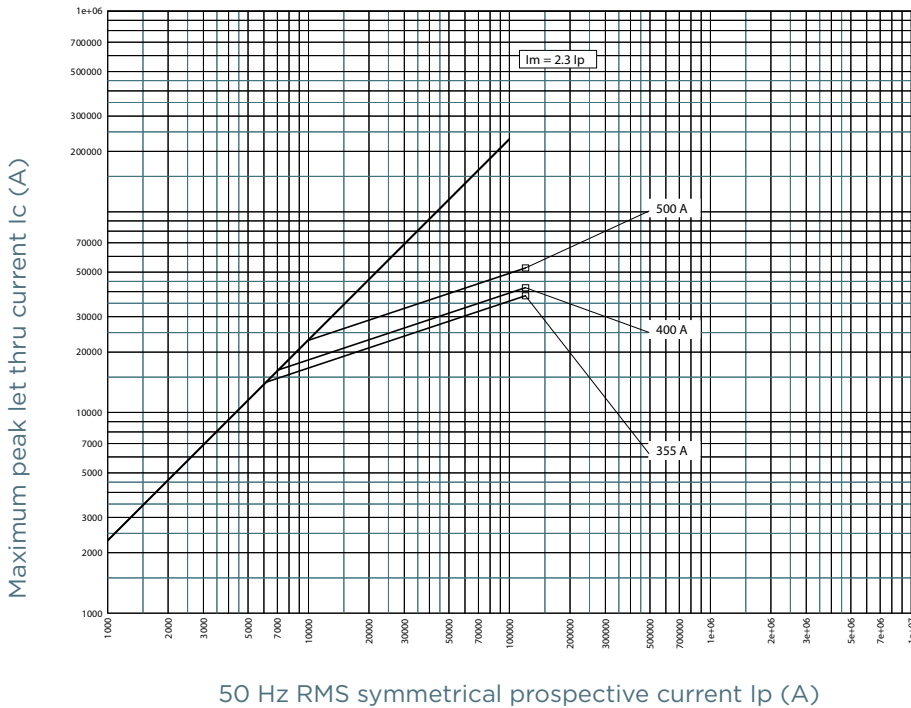
with striker size 0, 1, 2, 3, 4

## CUT-OFF CURRENT CHARACTERISTIC

### Size 2, 690V gG



### Size 2, 500V gG

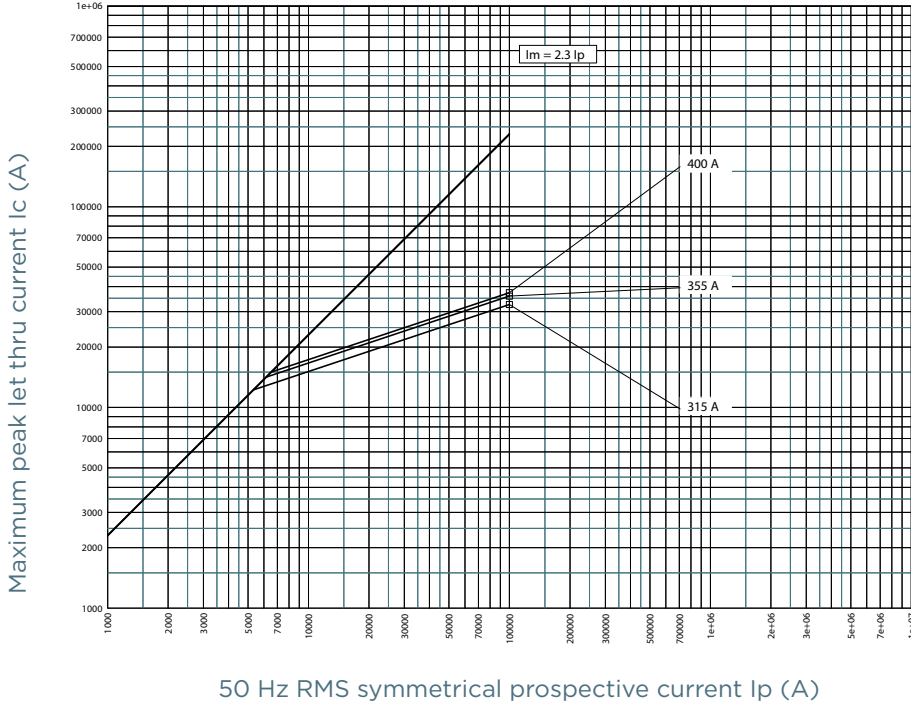


# NH fuse-links gG 500 - 690VAC

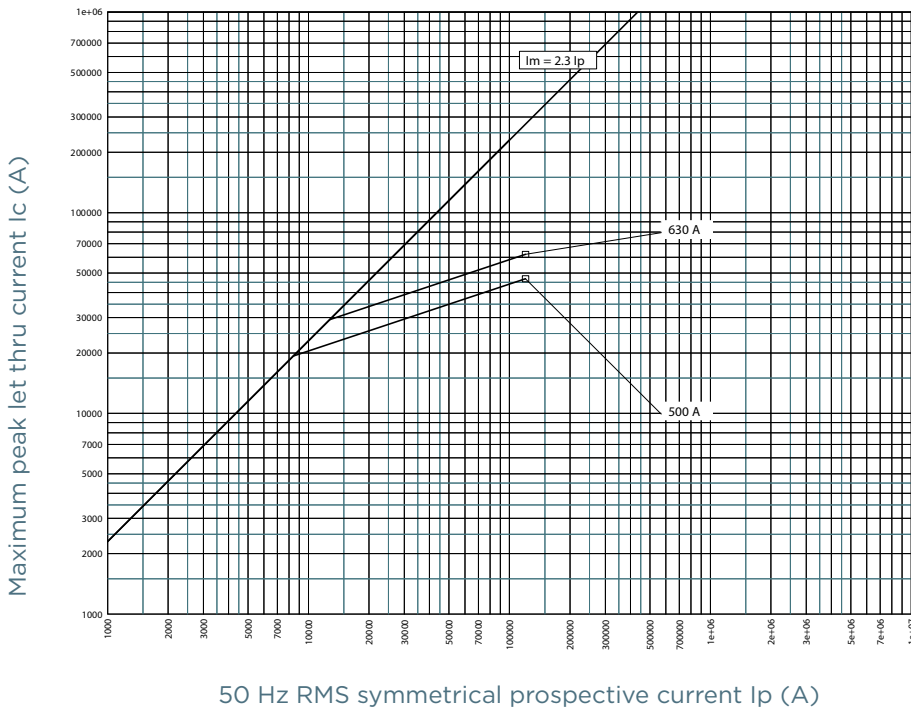
with striker size 0, 1, 2, 3, 4

## CUT-OFF CURRENT CHARACTERISTIC

Size 3, 690V gG



Size 3, 500V gG

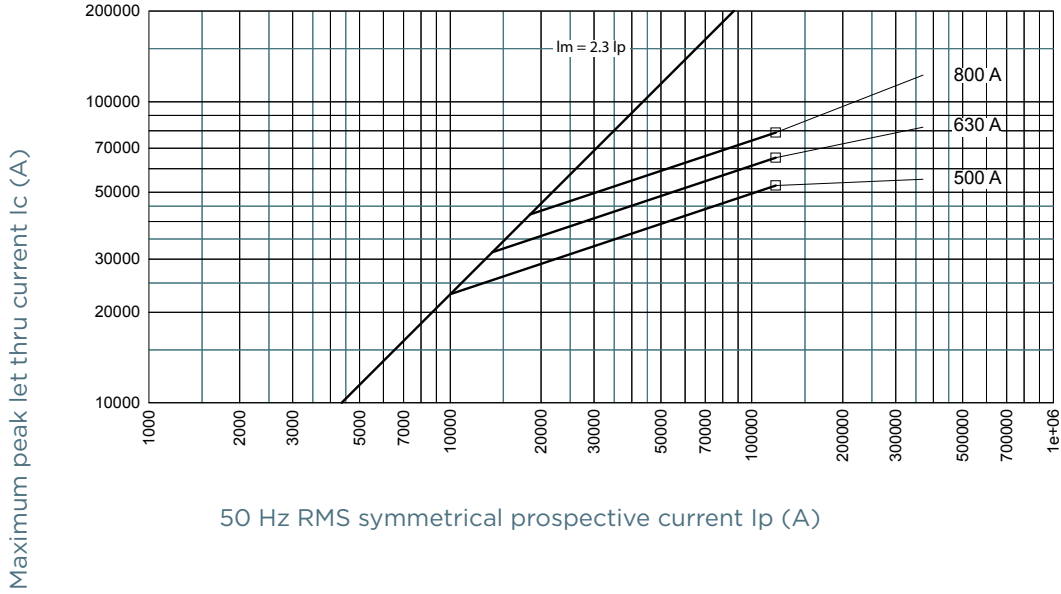


# NH fuse-links gG 500 - 690VAC

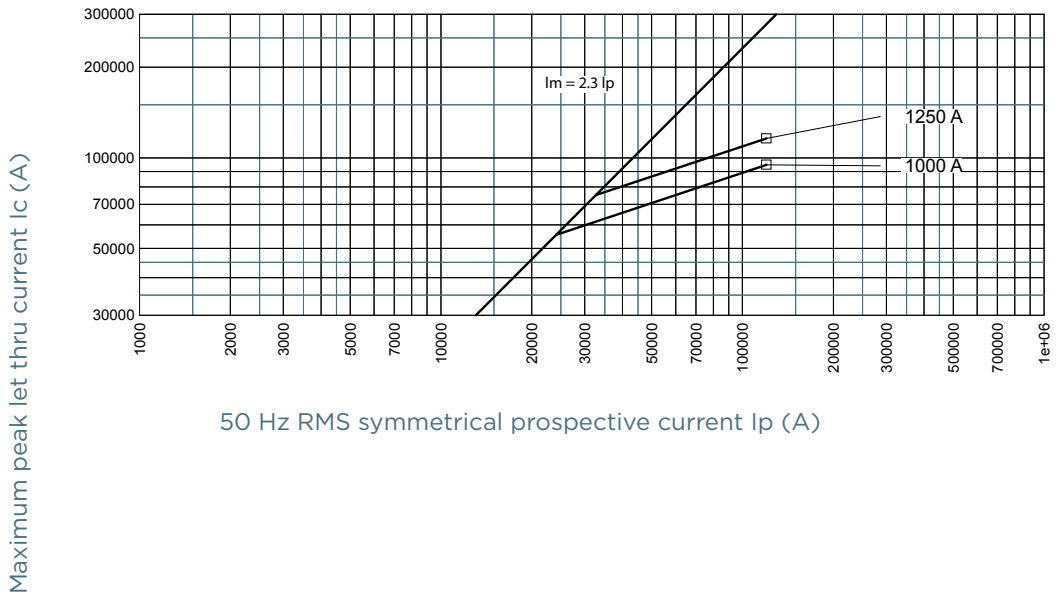
with striker size 0, 1, 2, 3, 4

## CUT-OFF CURRENT CHARACTERISTIC

### Size 4, 690V gG



### Size 4, 500V gG

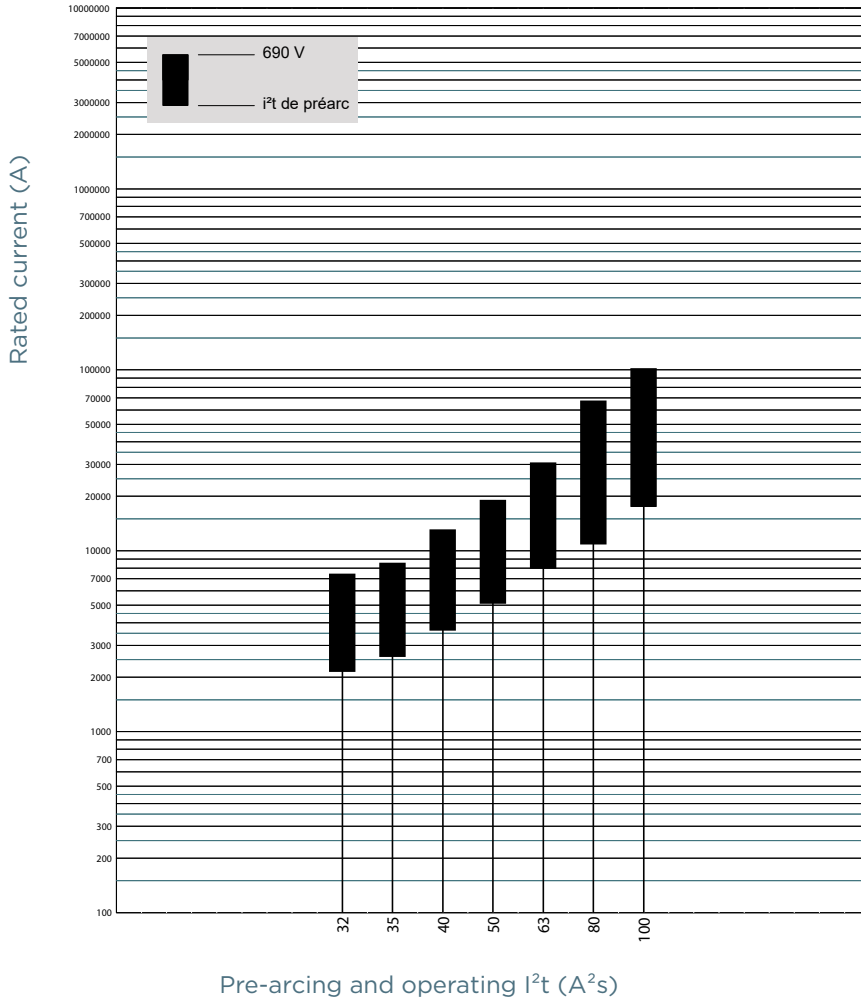


# NH fuse-links gG 500 - 690VAC

with striker size 0, 1, 2, 3, 4

## PRE-ARCING AND OPERATING I<sup>2</sup>T CHARACTERISTICS

### Size 0, 690V gG

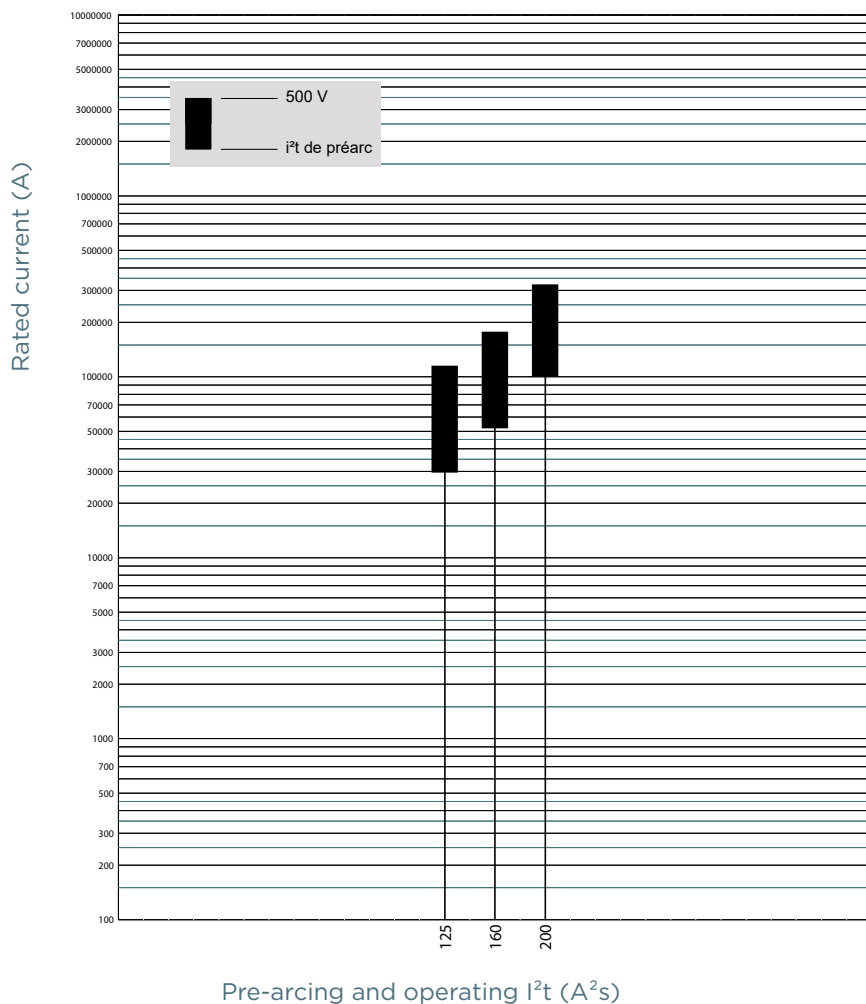


# NH fuse-links gG 500 - 690VAC

with striker size 0, 1, 2, 3, 4

## PRE-ARCING AND OPERATING I<sup>2</sup>T CHARACTERISTICS

### Size 0, 500V gG



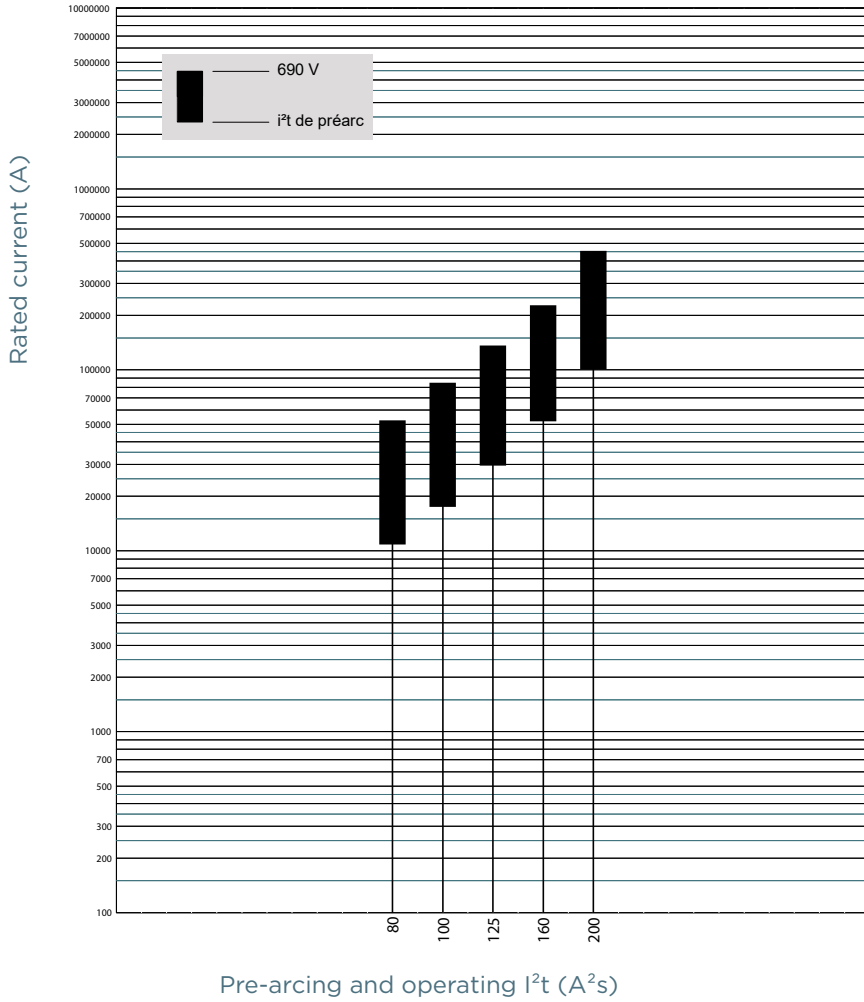


# NH fuse-links gG 500 - 690VAC

with striker size 0, 1, 2, 3, 4

## PRE-ARCING AND OPERATING I<sup>2</sup>T CHARACTERISTICS

### Size 1, 690V gG

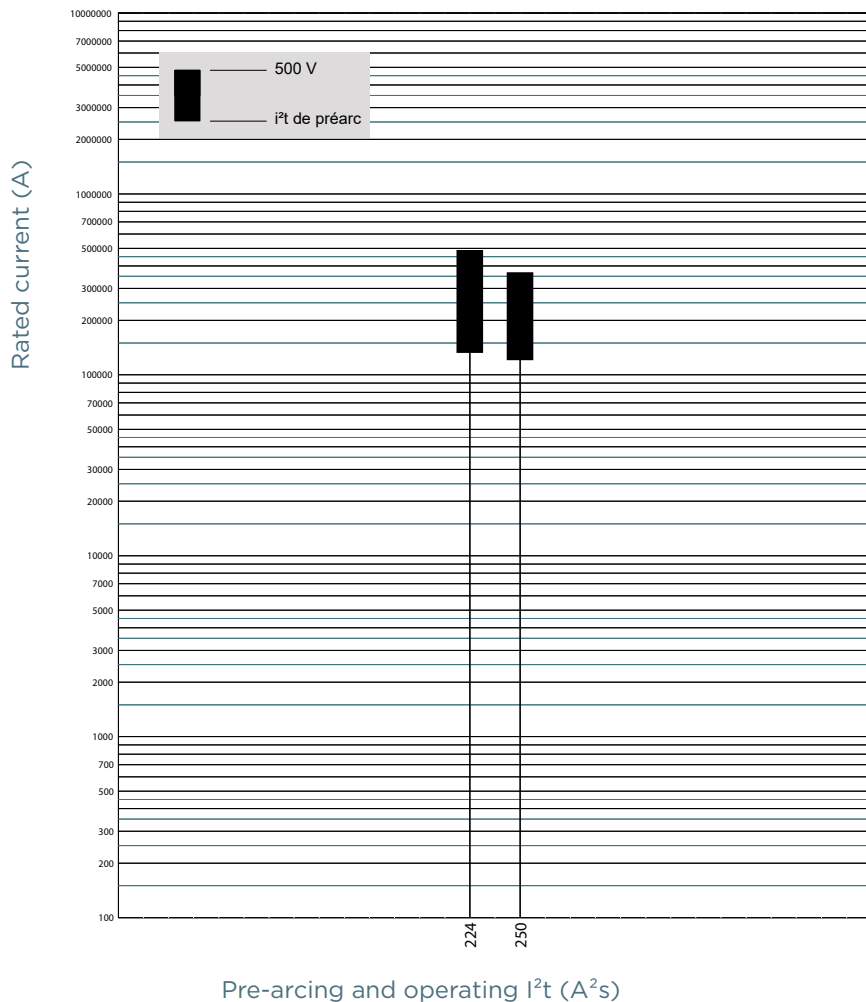


# NH fuse-links gG 500 - 690VAC

with striker size 0, 1, 2, 3, 4

## PRE-ARCING AND OPERATING I<sup>2</sup>T CHARACTERISTICS

### Size 1, 500V gG

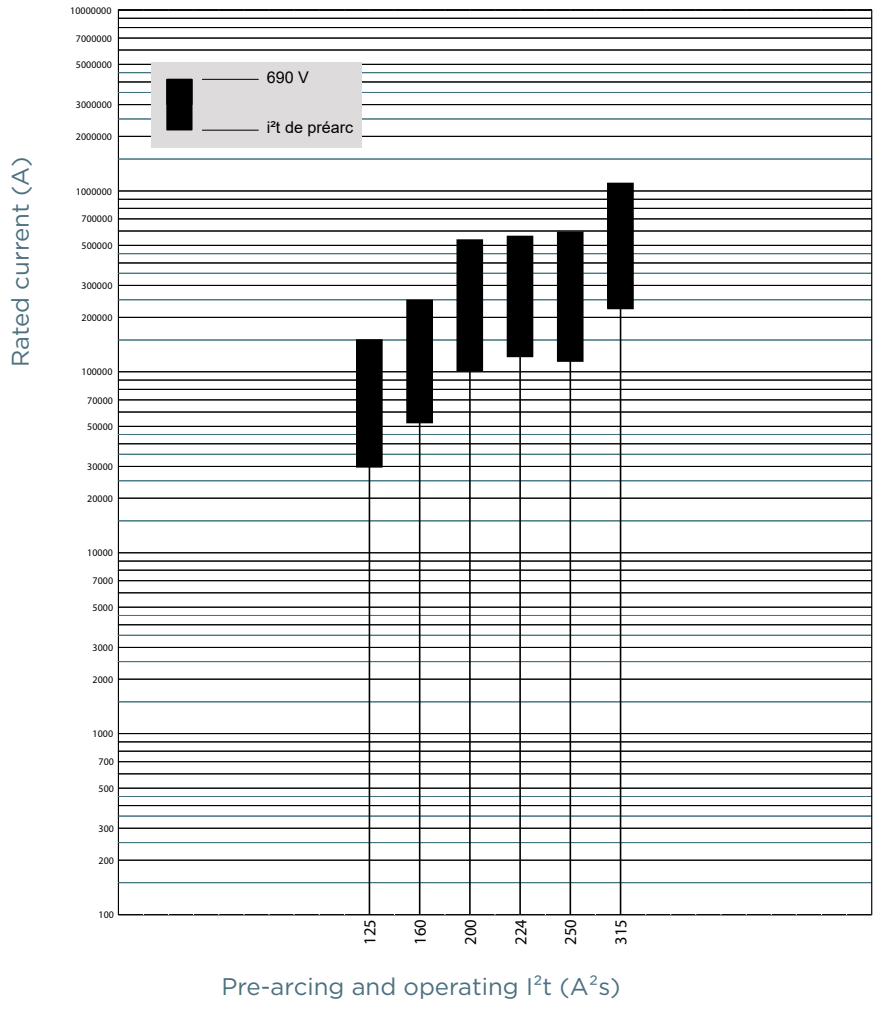


# NH fuse-links gG 500 - 690VAC

with striker size 0, 1, 2, 3, 4

## PRE-ARCING AND OPERATING I<sup>2</sup>T CHARACTERISTICS

### Size 2, 690V gG

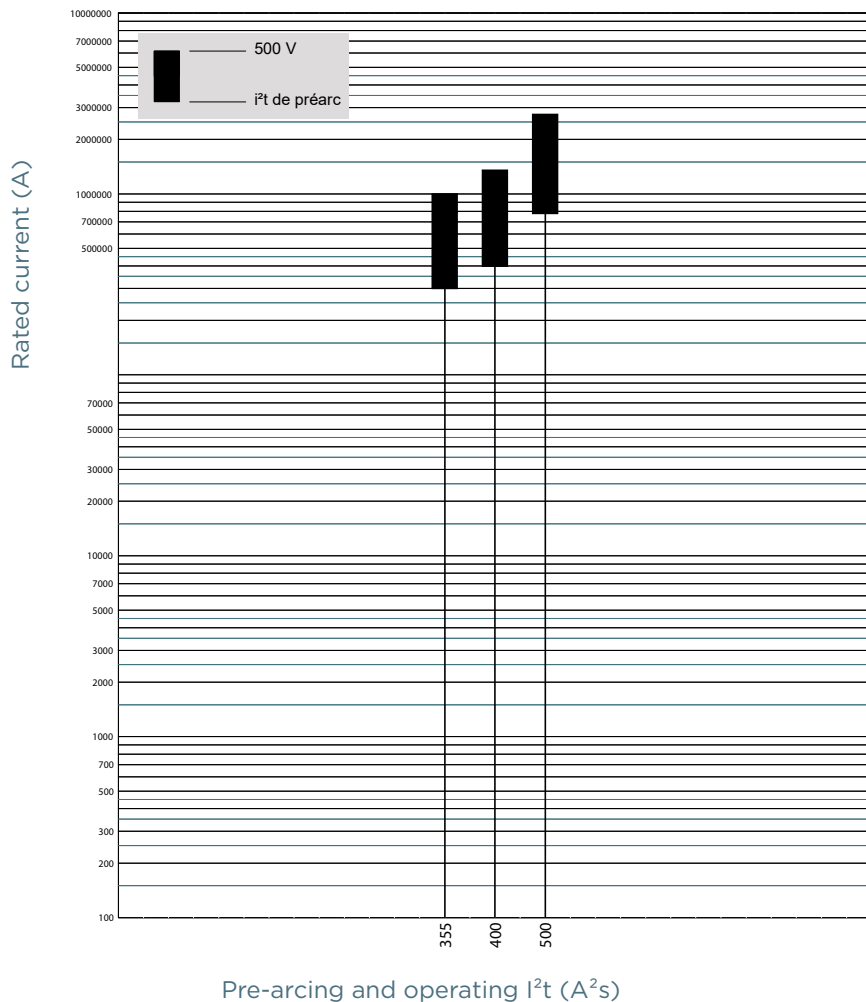


# NH fuse-links gG 500 - 690VAC

with striker size 0, 1, 2, 3, 4

## PRE-ARCING AND OPERATING I<sup>2</sup>T CHARACTERISTICS

### Size 2, 500V gG

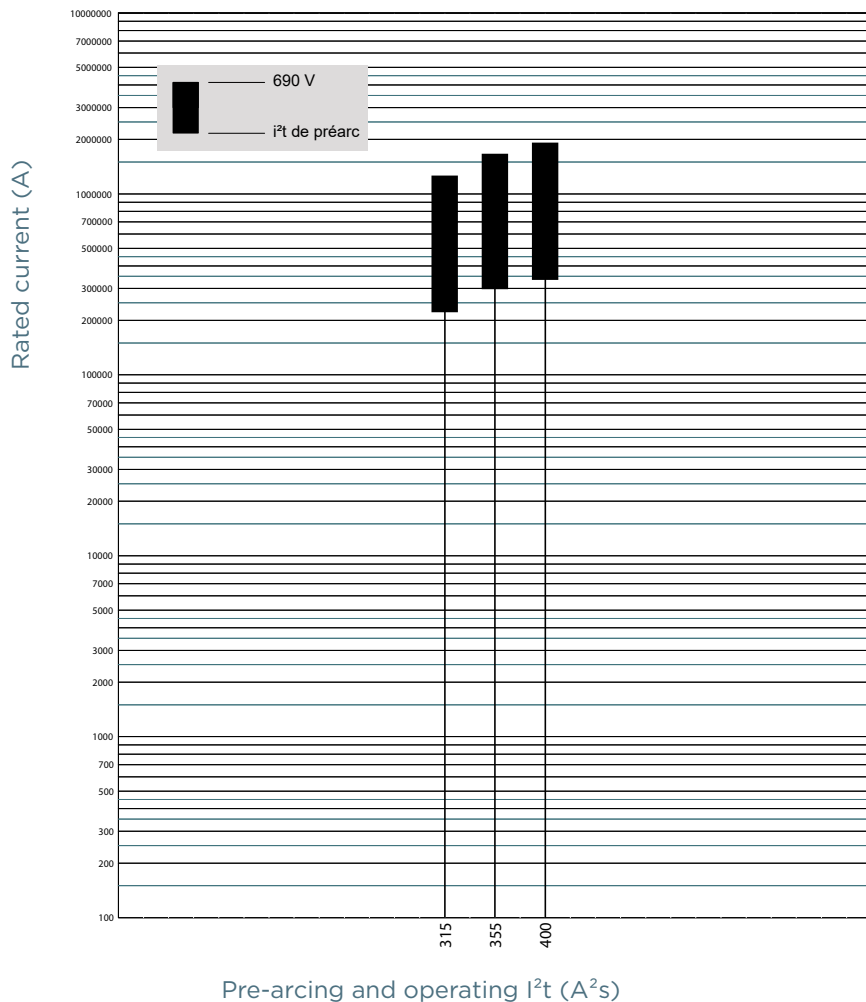


# NH fuse-links gG 500 - 690VAC

with striker size 0, 1, 2, 3, 4

## PRE-ARCING AND OPERATING I<sup>2</sup>T CHARACTERISTICS

### Size 3, 690V gG

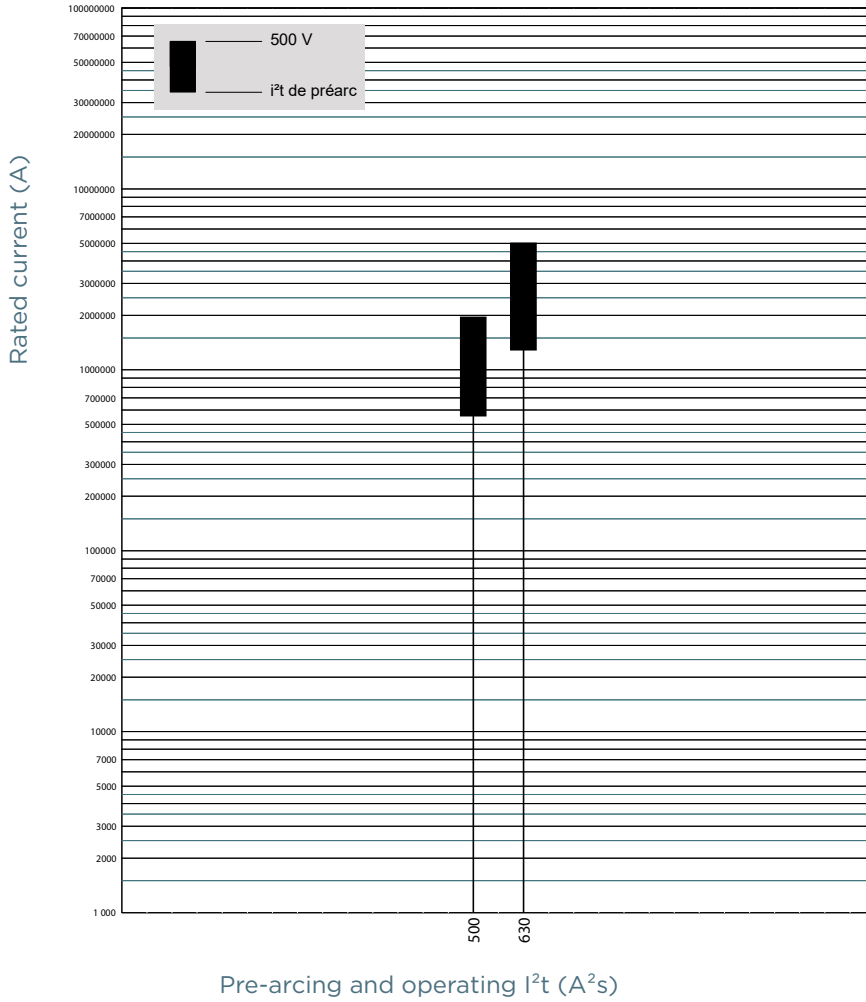


# NH fuse-links gG 500 - 690VAC

with striker size 0, 1, 2, 3, 4

## PRE-ARCING AND OPERATING I<sup>2</sup>T CHARACTERISTICS

### Size 3, 500V gG

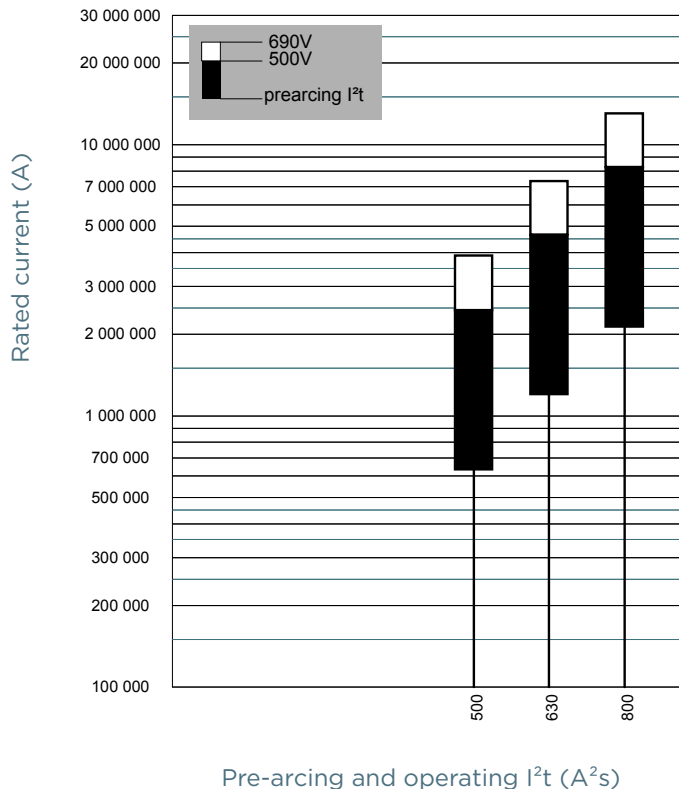


# NH fuse-links gG 500 - 690VAC

with striker size 0, 1, 2, 3, 4

## PRE-ARCING AND OPERATING I<sup>2</sup>T CHARACTERISTICS

### Size 4, 690V gG

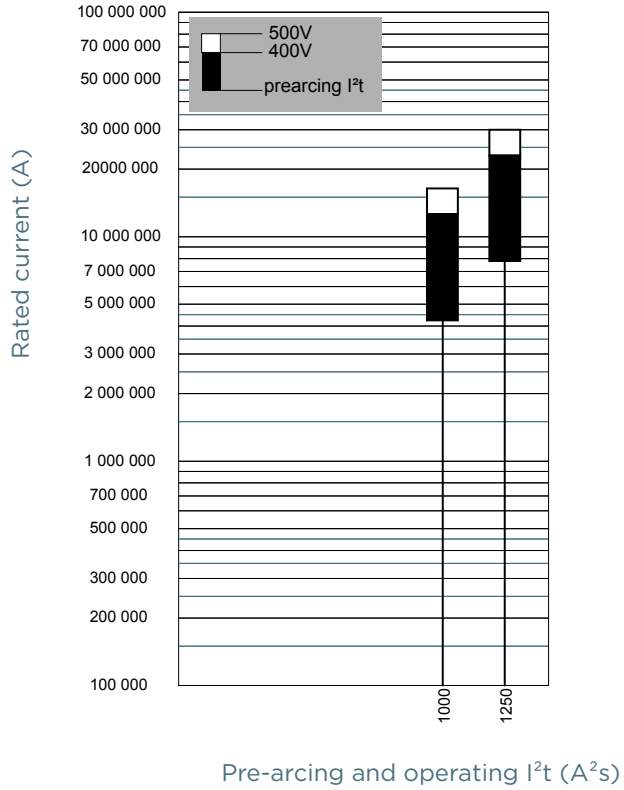


# NH fuse-links gG 500 - 690VAC

with striker size 0, 1, 2, 3, 4

## PRE-ARCING AND OPERATING I<sup>2</sup>T CHARACTERISTICS

### Size 4, 500V gG



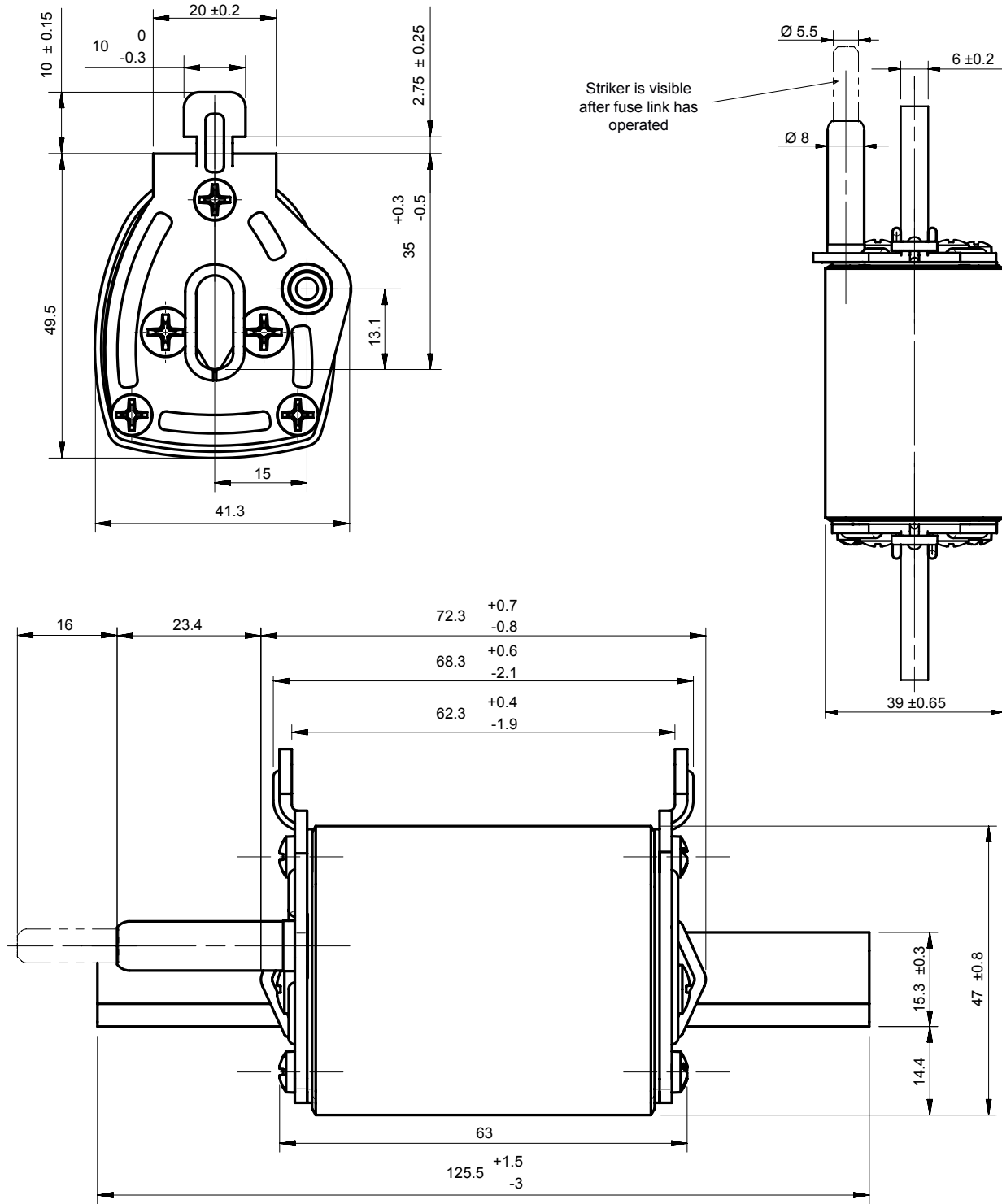


# NH fuse-links gG 500 - 690VAC

with striker size 0, 1, 2, 3, 4

## DIMENSIONS

Size 0 (126458)



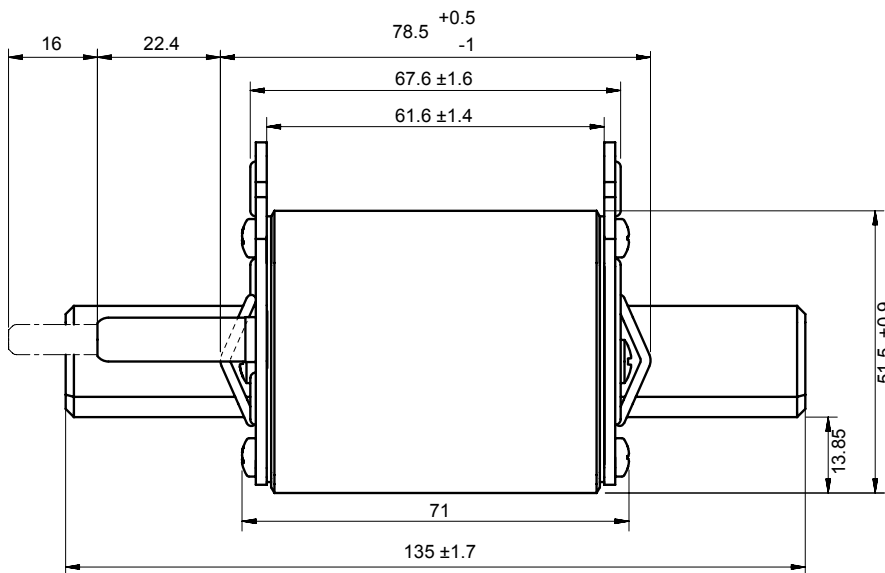
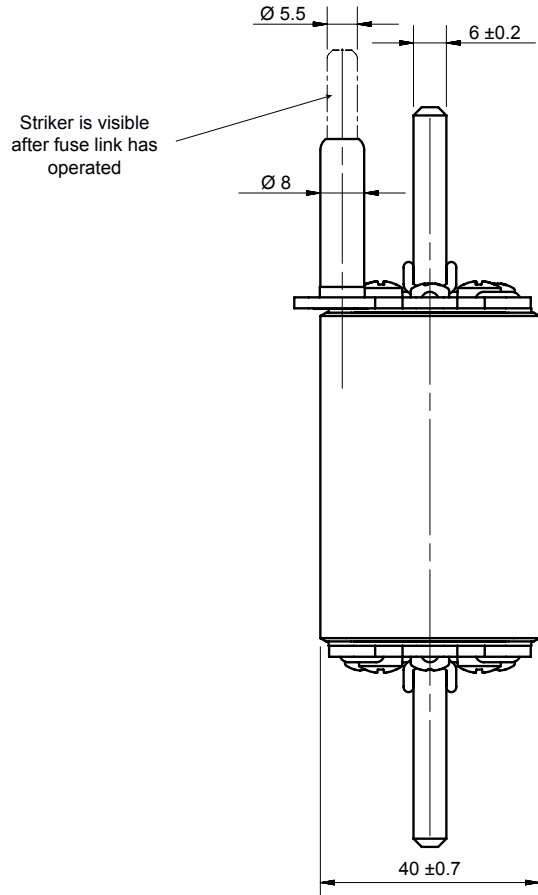
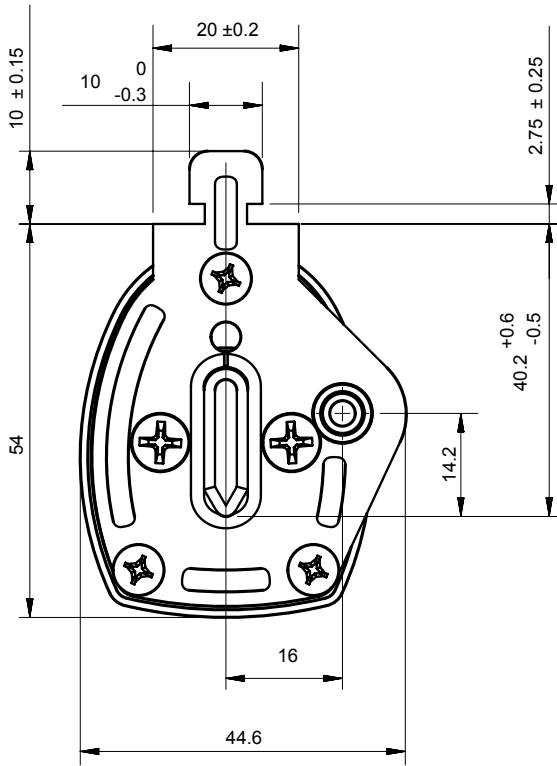
Dimensions in mm

# NH fuse-links gG 500 - 690VAC

with striker size 0, 1, 2, 3, 4

## DIMENSIONS

Size 1 (126503)



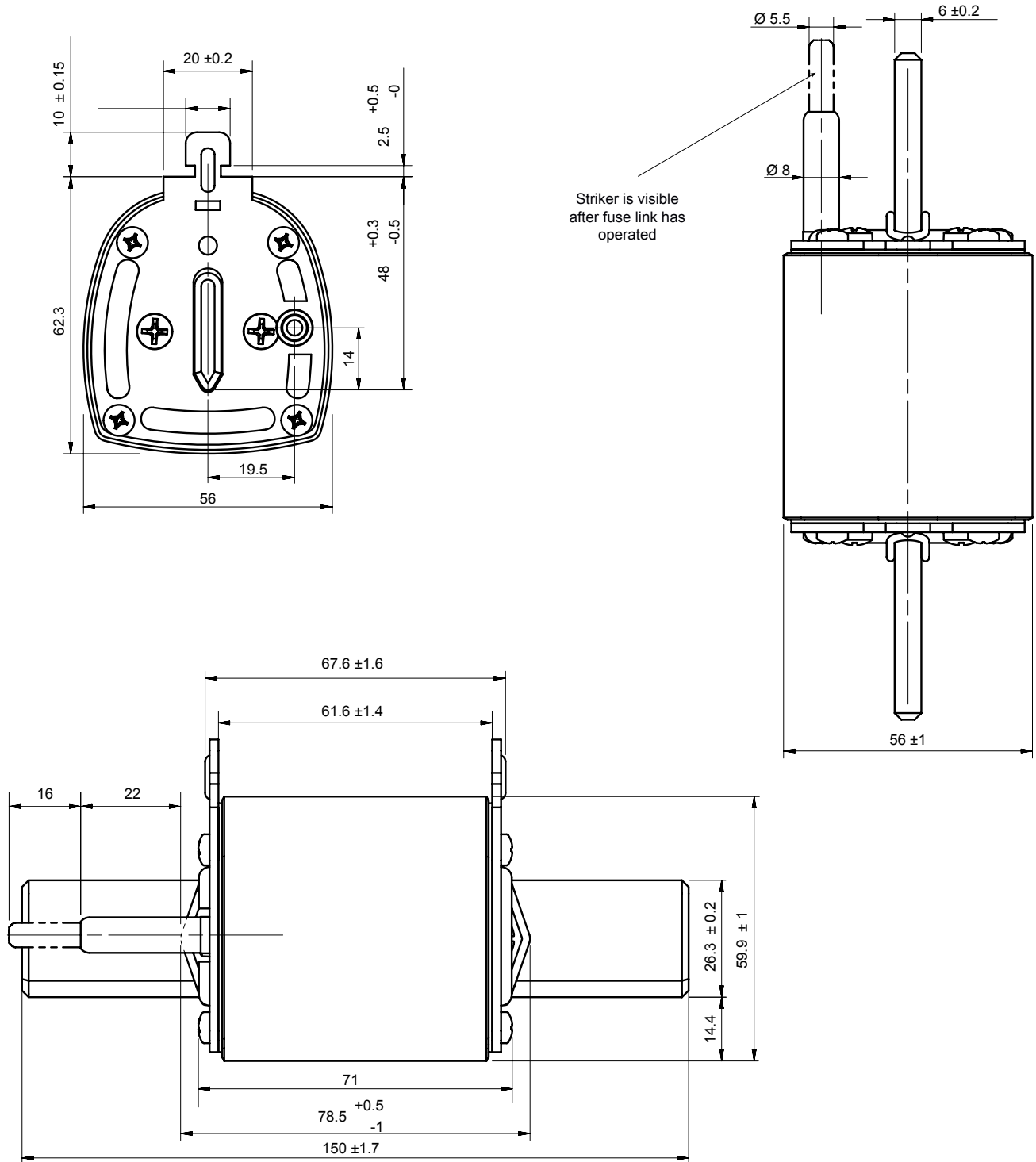
Dimensions in mm

# NH fuse-links gG 500 - 690VAC

with striker size 0, 1, 2, 3, 4

## DIMENSIONS

Size 2 (126505)



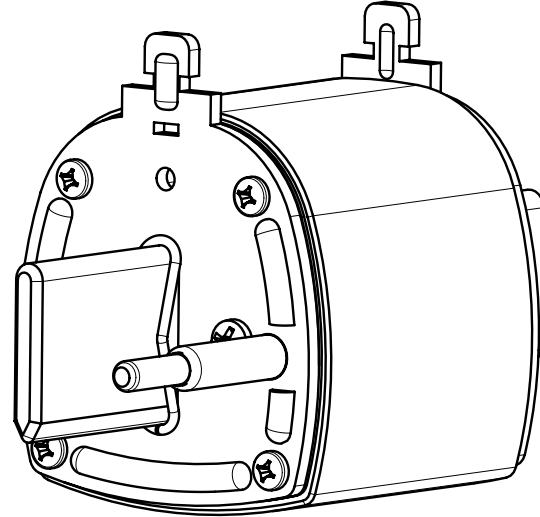
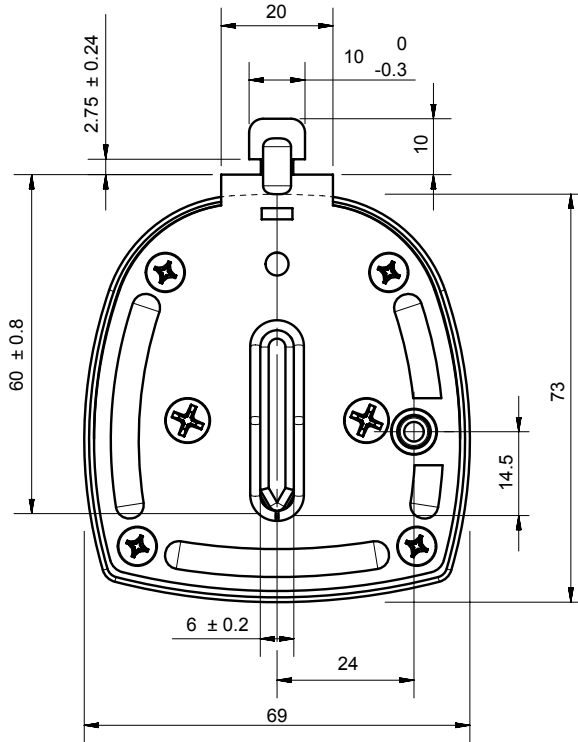
Dimensions in mm

# NH fuse-links gG 500 - 690VAC

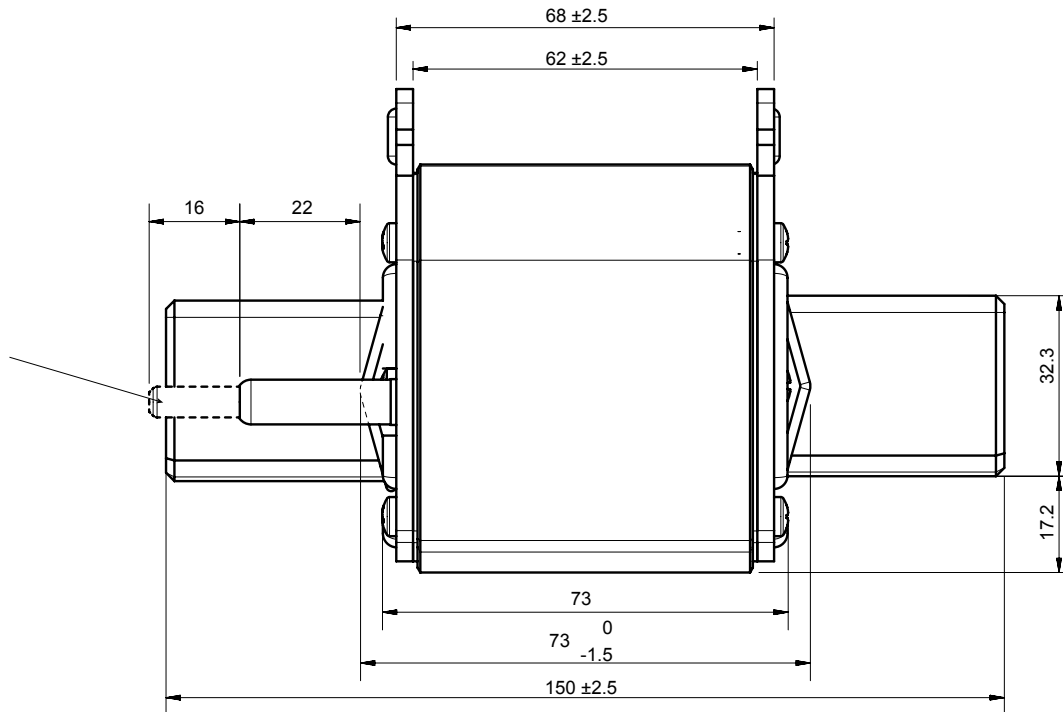
with striker size 0, 1, 2, 3, 4

## DIMENSIONS

Size 3 (126508)



Striker is visible after fuse link has operated



Dimensions in mm

# NH fuse-links gG 500 - 690VAC

with striker size 0, 1, 2, 3, 4

## DIMENSIONS

Size 4 (1037473)

